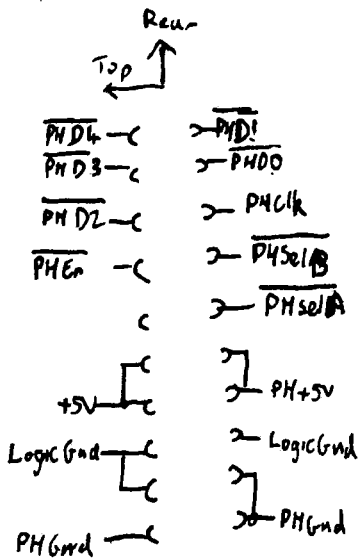
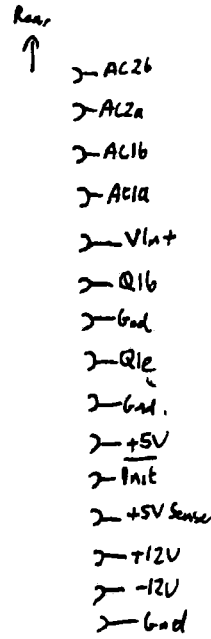


9866 Printer



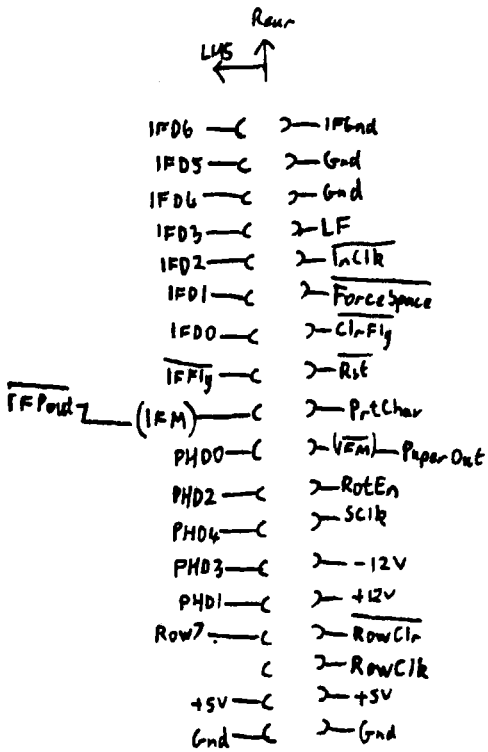
PH Driver -> Backplane.

09866-66506



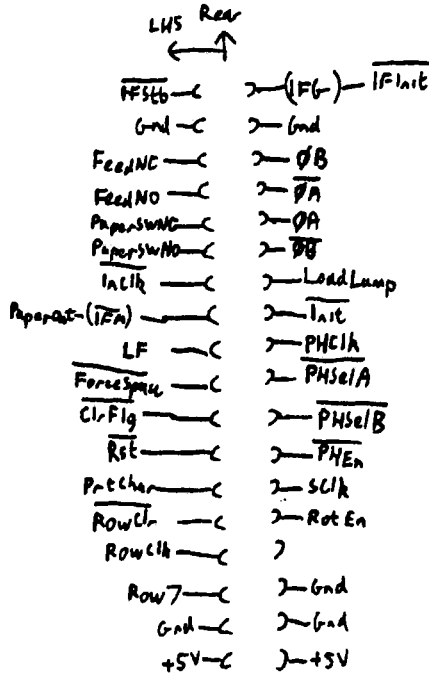
Logic PSU

09866-66503



Data Path

09866-66501



Control

09866-66502

9866 Printer

↑ Rear

- 2-AC6C
- 2-AC3A
- 2-AC3B
- 2
- 2-Logic Gnd
- 2
- 2-a- $\overline{\text{PA}}$
- 2-b- $\overline{\text{PB}}$
- 2-c- PA
- 2-d- PB

Motor Driver
09866-66505

↑ Rear

- 2-12V
- 2-+12V
- 2-+5V
- 2-Logic Gnd
- 2
- 2-Q2b
- 2
- 2-Q2e
- 2-V7
- 2
- 2
- 2-V-, Dia
- 2
- 2-PH+
- 2
- 2-PH Gnd
- 2
- 2-Q2c, D1k

Printhead PSU
09866-66504

Rear
↑ → Top

- $\overline{\text{PB}}$ - d - C 2-Paper SW NO
- $\overline{\text{PA}}$ - a - C 2-Paper SW NC
- $\overline{\text{PA}}$ - c - C 2-Feed NO
- $\overline{\text{PB}}$ - b - C 2-Feed NC
- 2
- Logic Loop AC26 - C 2-Q1c, Vin+
- AC27 - C 2-Q1b
- AC16 - C 2
- AC14 - C 2-Q1e
- +12V - C 2-+5V - FP
- 12V - C 2-+5V PHPSU
- Paper SW Gnd - C 2-+5V PHPSU
- Motor Dr Gnd - C 2-Gnd - FP
- PHPSU Gnd - C 2-Gnd - PHPSU
- Vin - Gnd - C 2-Gnd - Vin

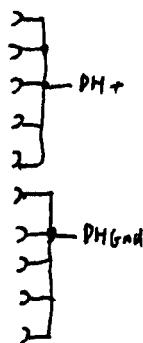
Buckplane → Chassis

RHS
↑ Top

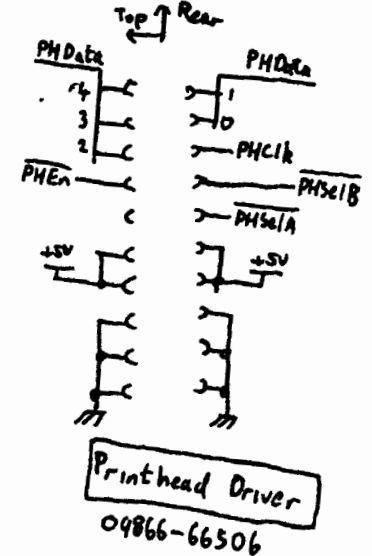
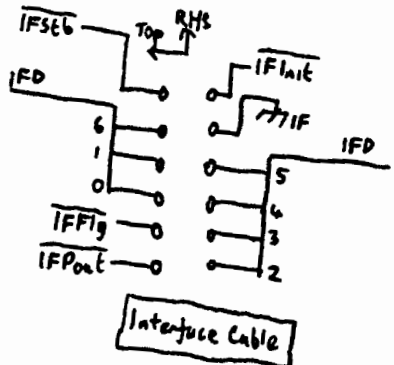
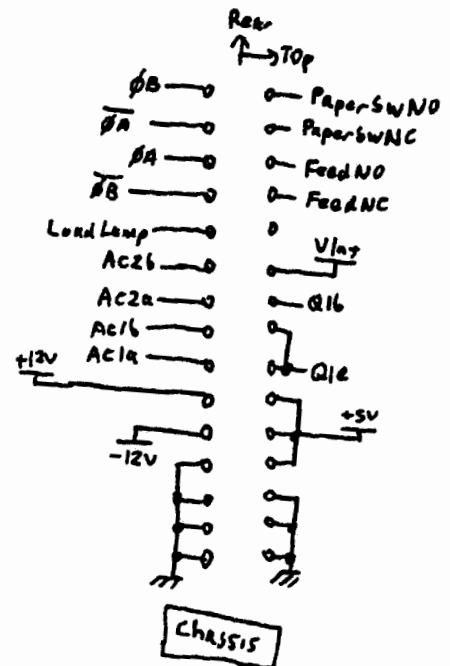
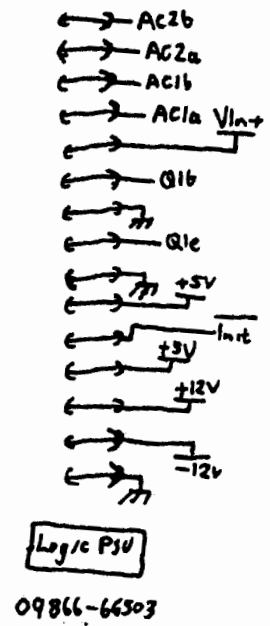
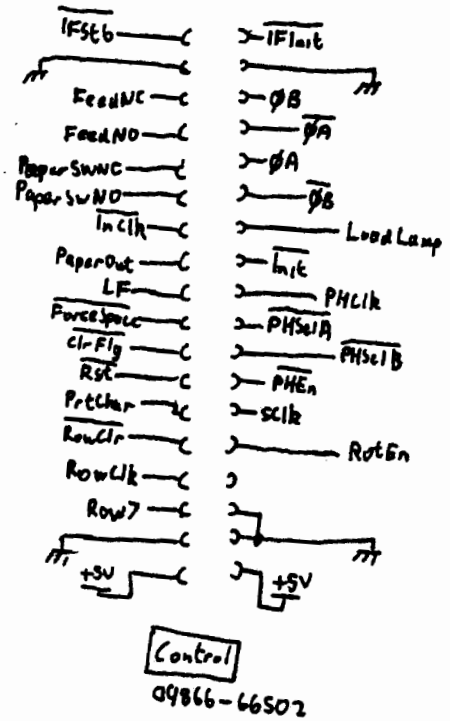
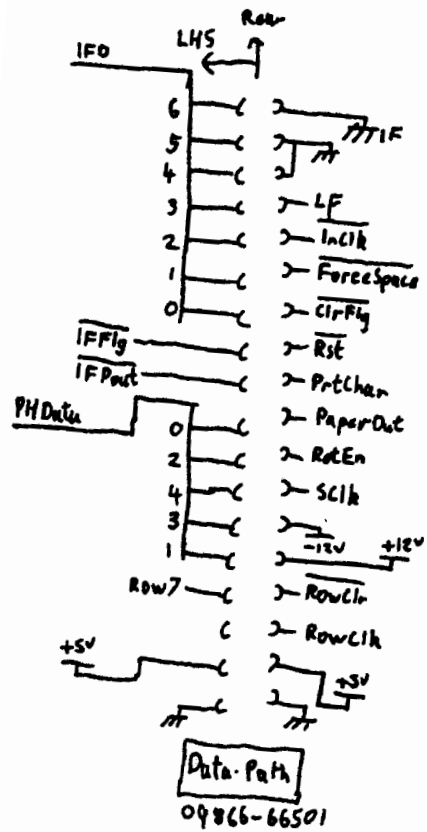
- SEB A - C 2-G - Init
- D6 C - C 2-V Gnd
- D1 E - C 2-L DS
- D0 F - C 2-K06
- Fig H - C 2-J09
- Point H - C 2-D02

Interface → Buckplane.

↑ Rear

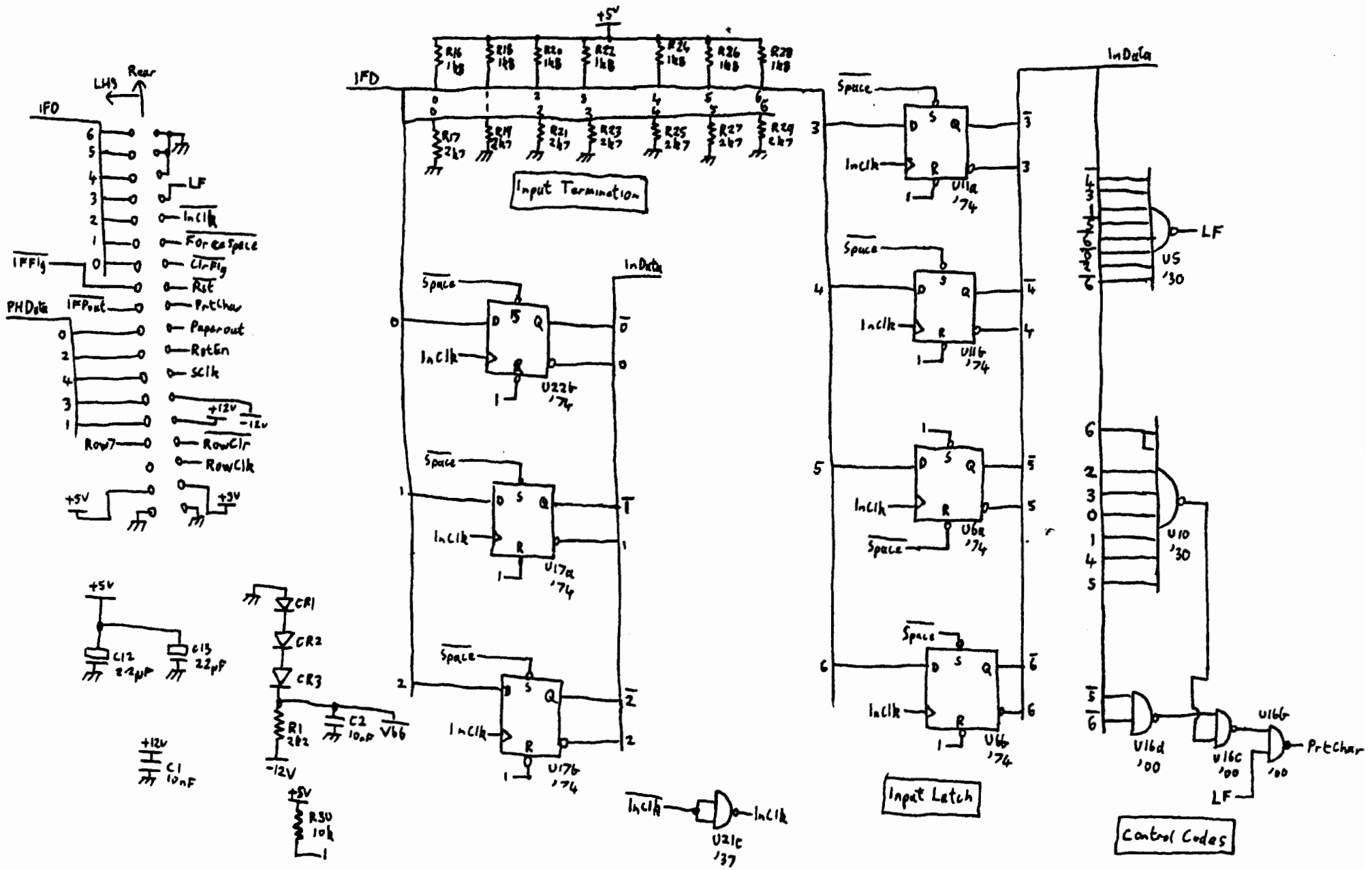


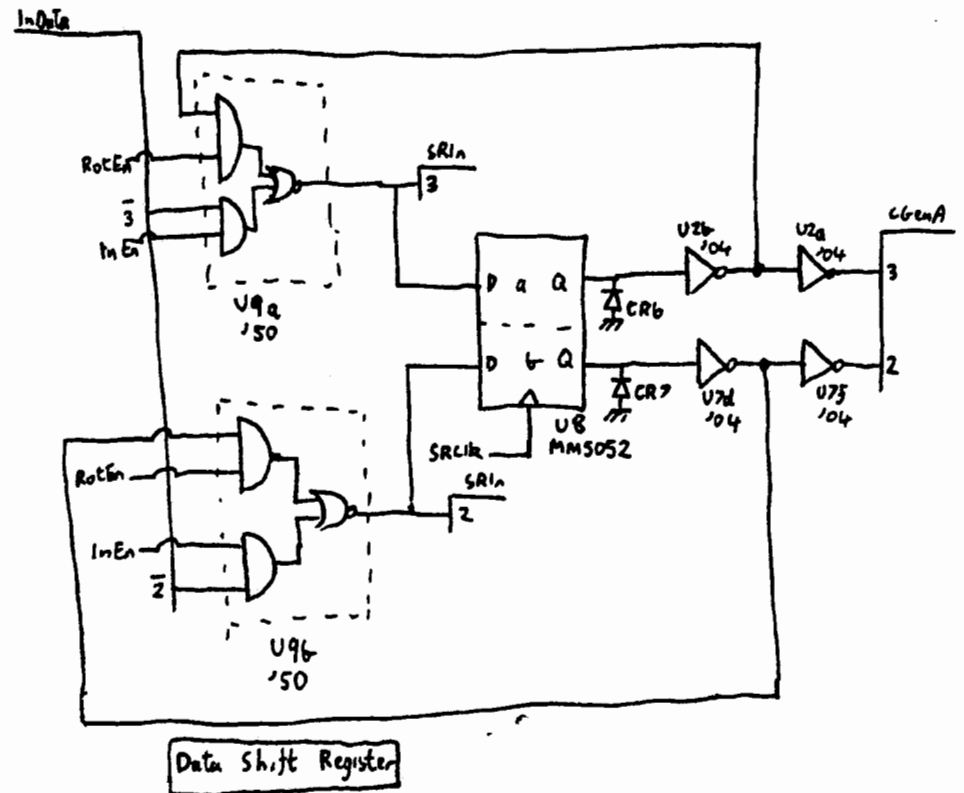
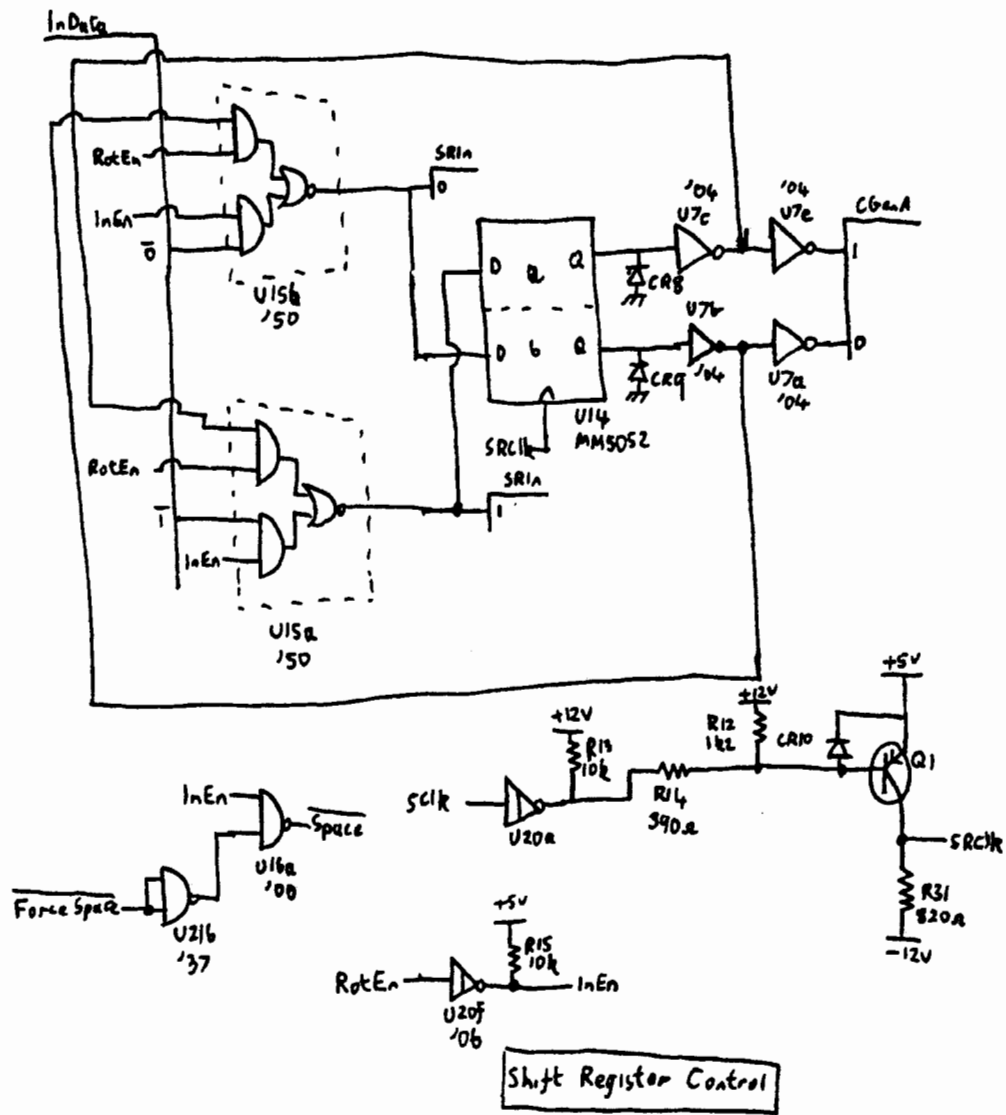
PH Driver → Chassis

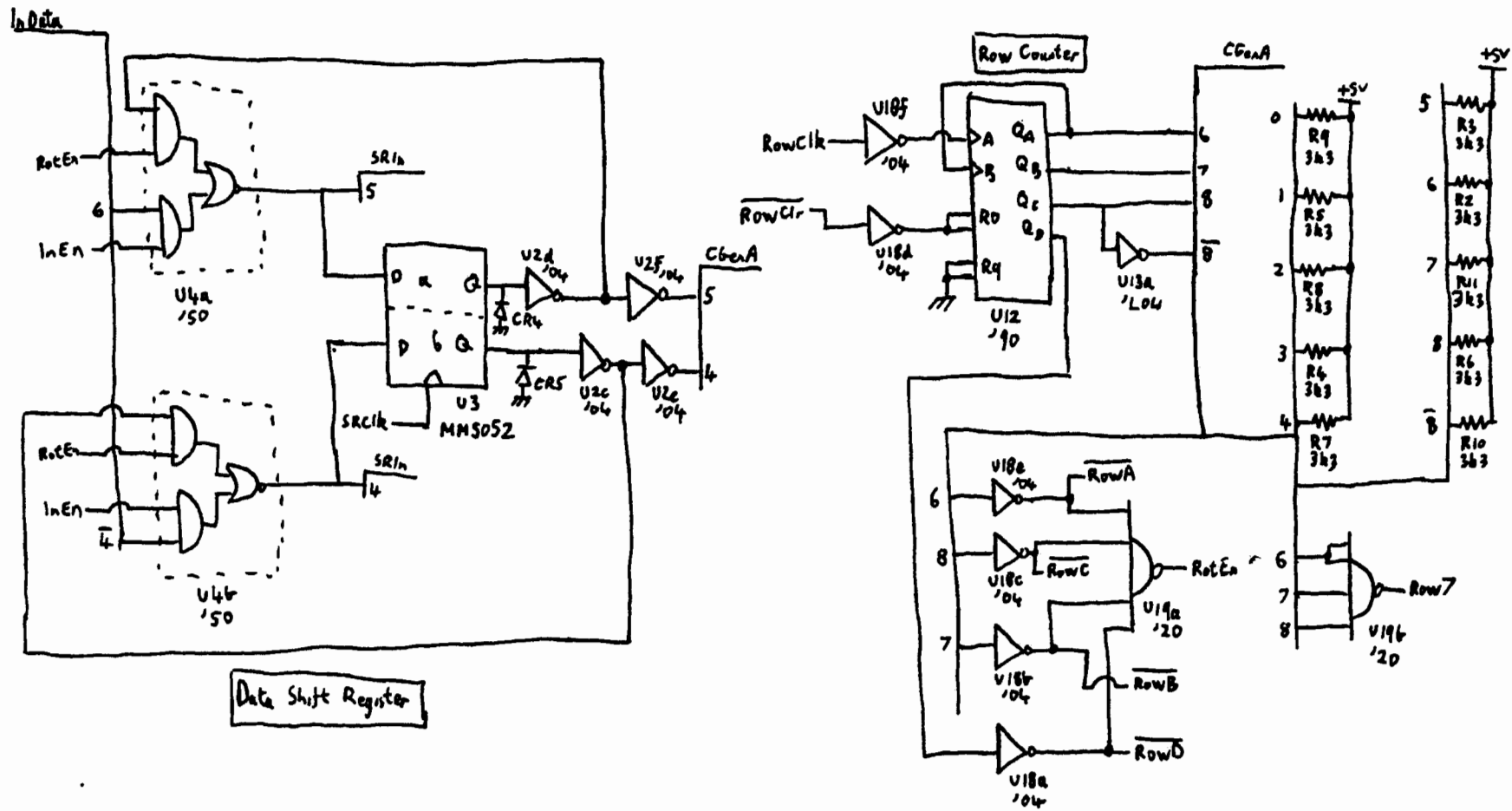


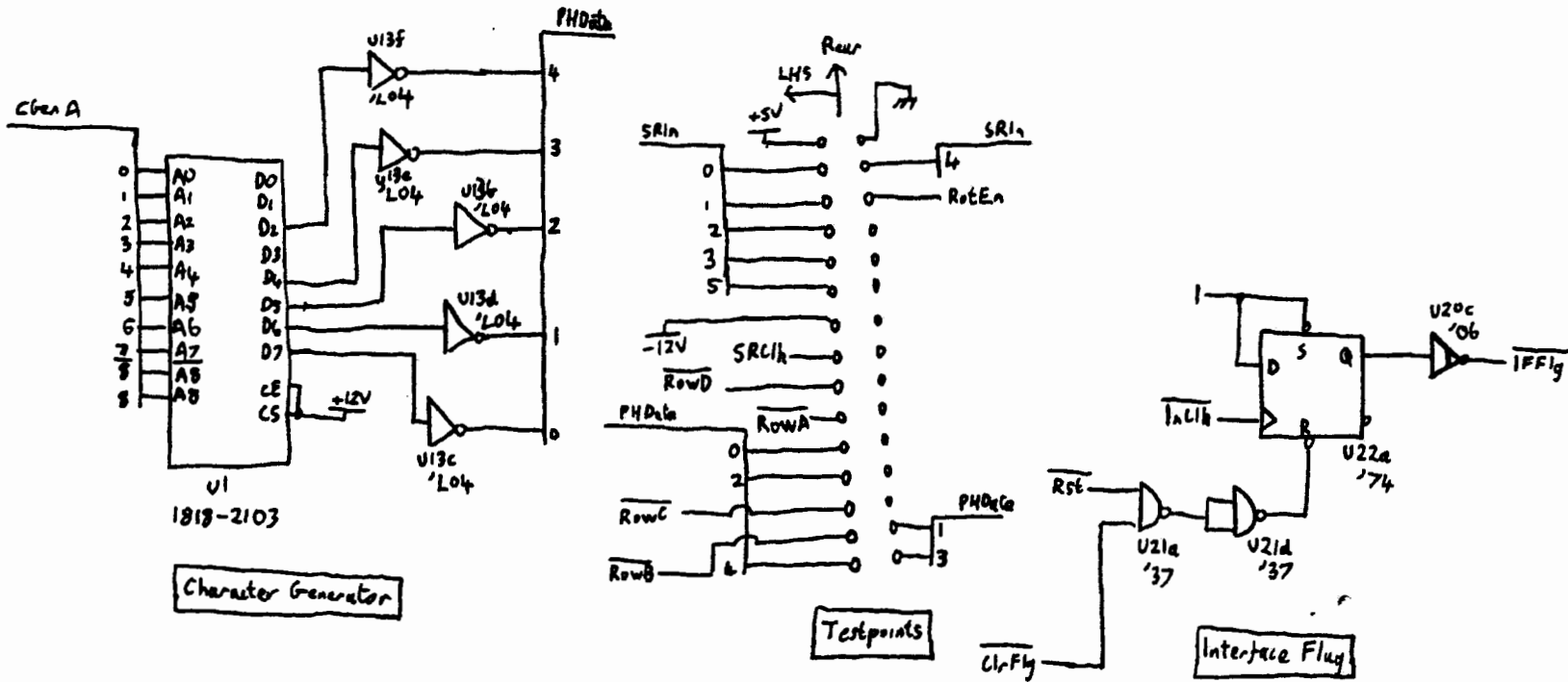
HP9866 Logic Backplane

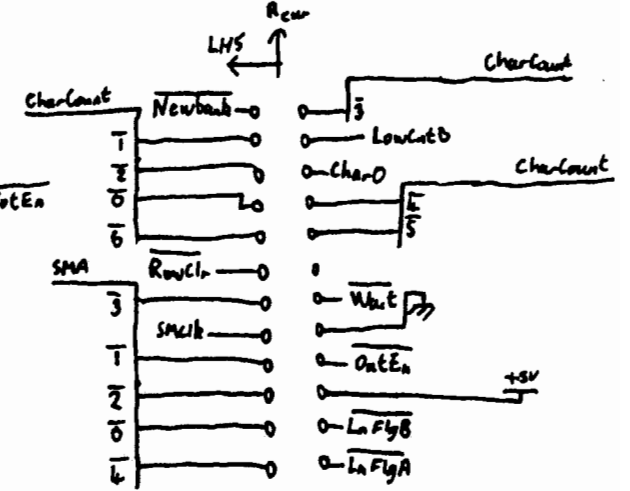
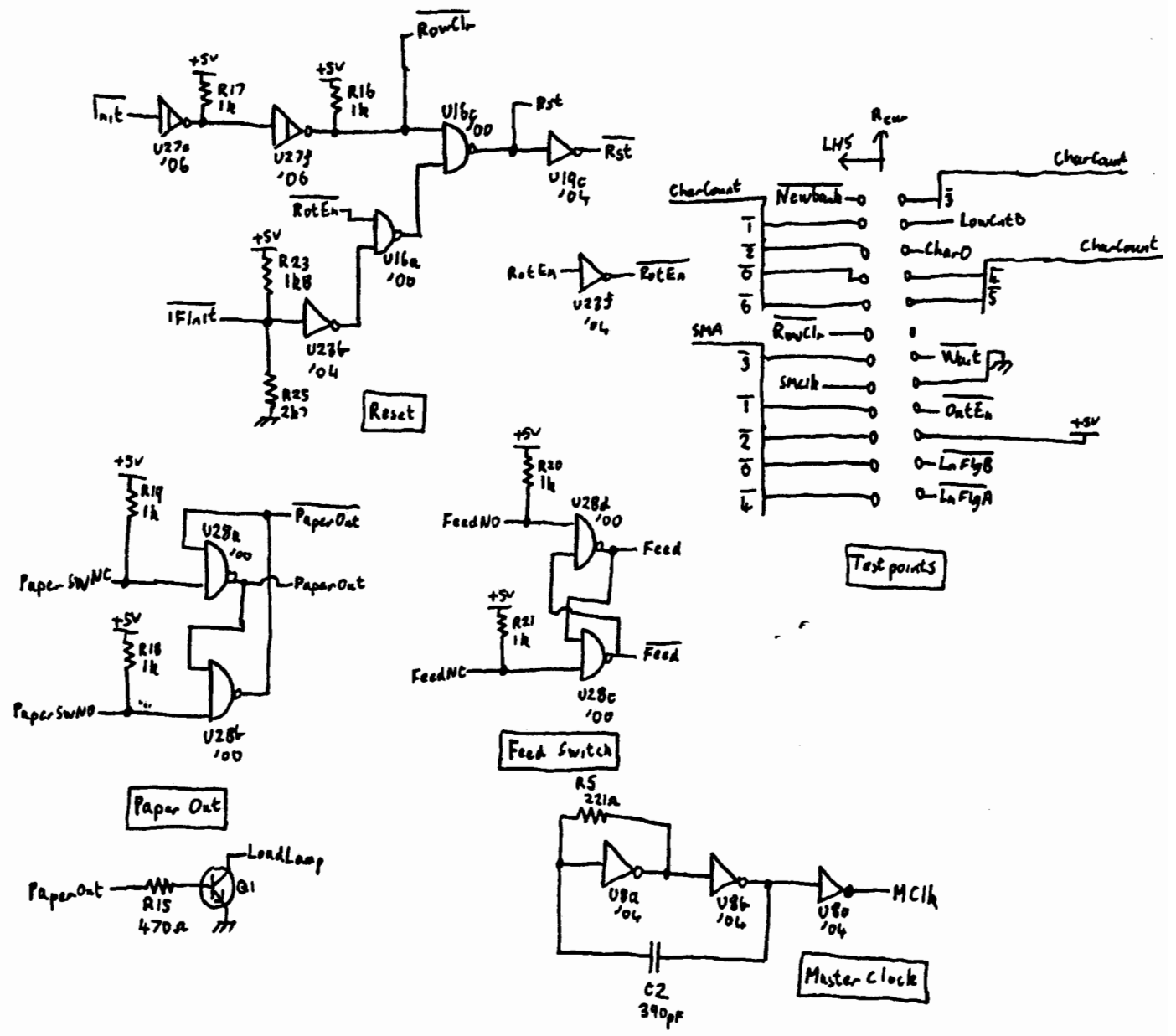
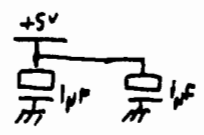
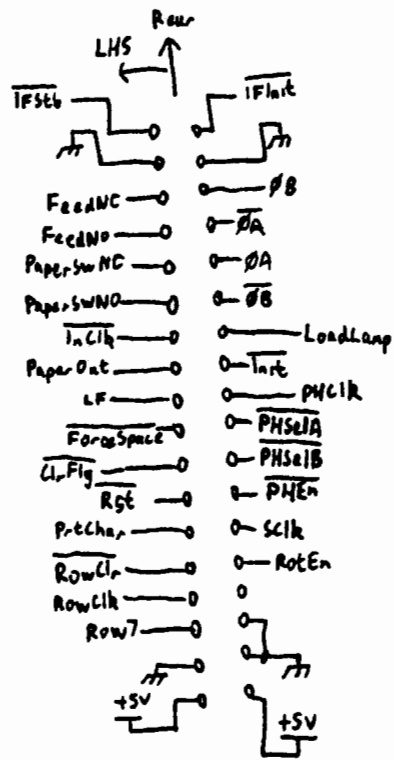
09866-66500

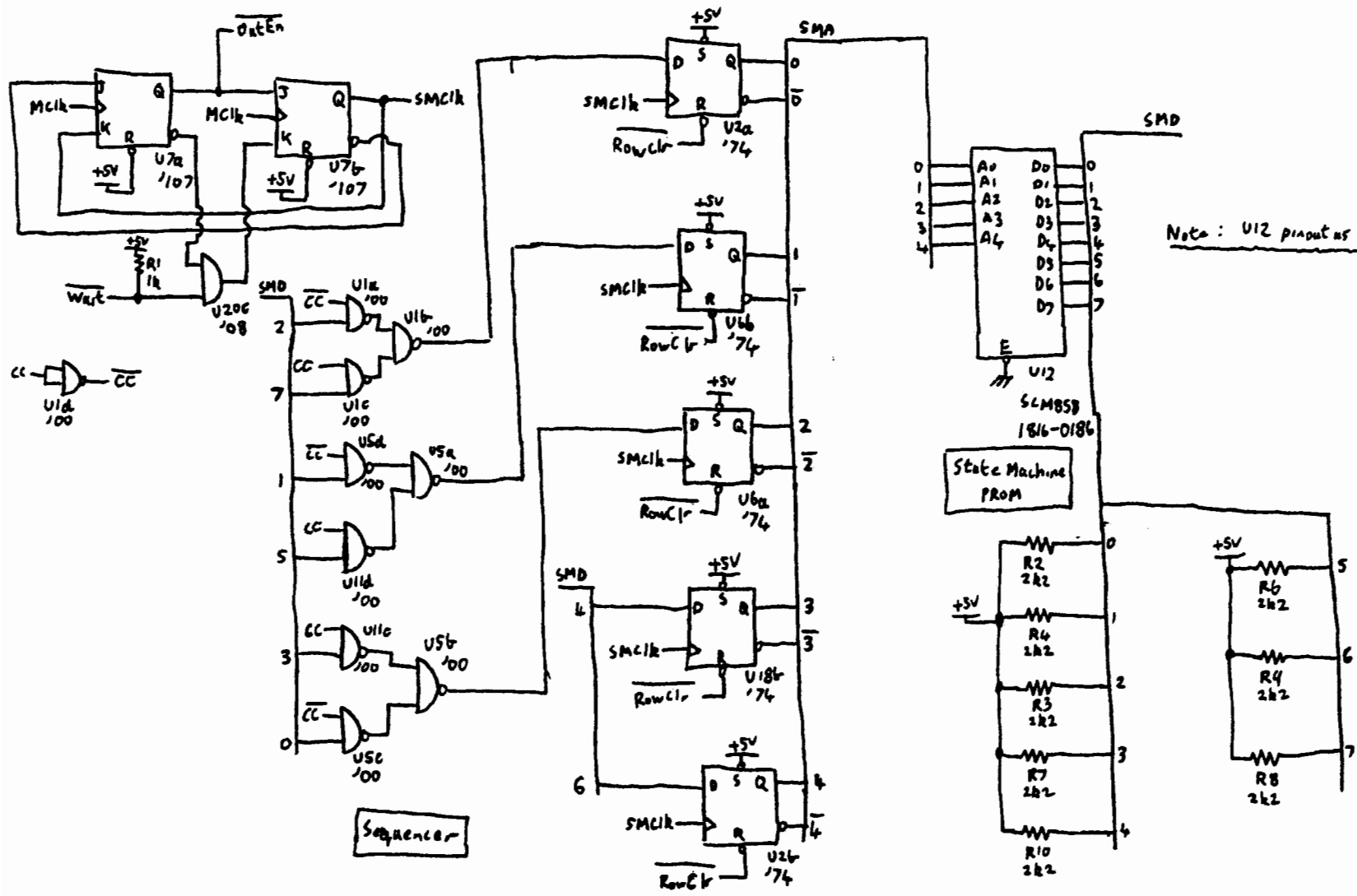




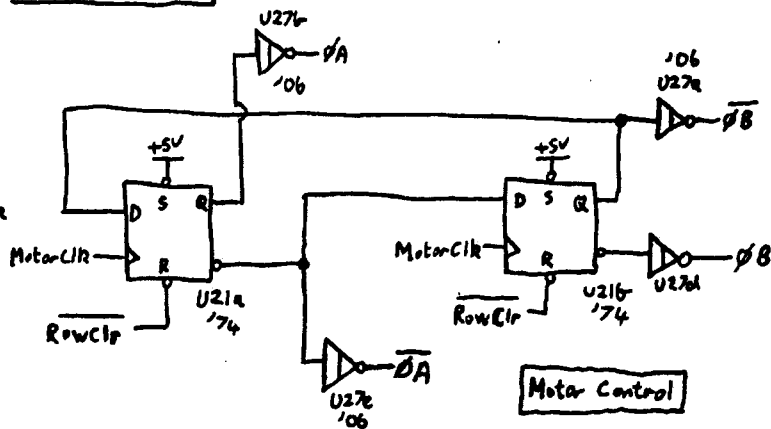
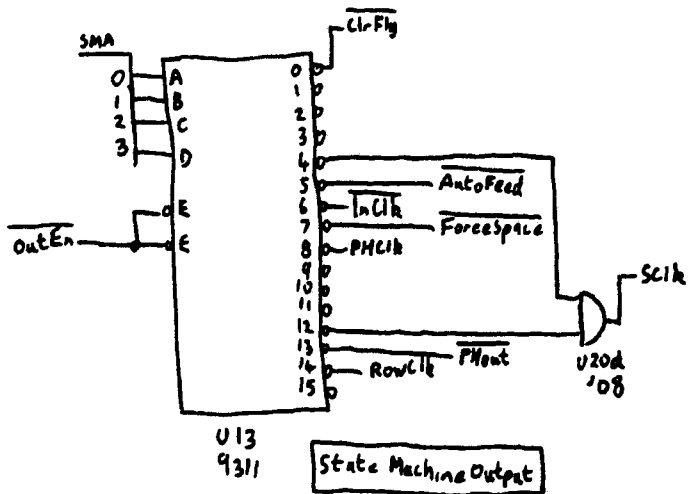
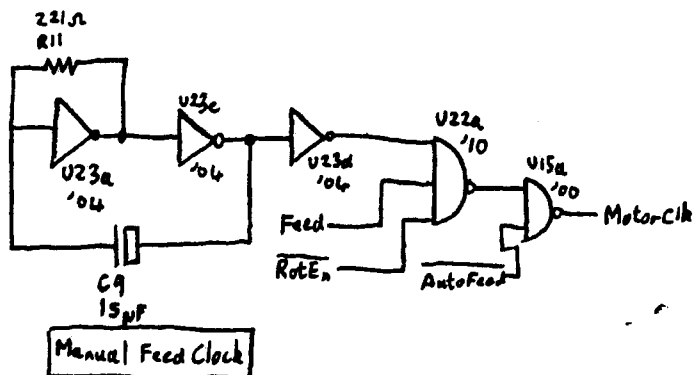
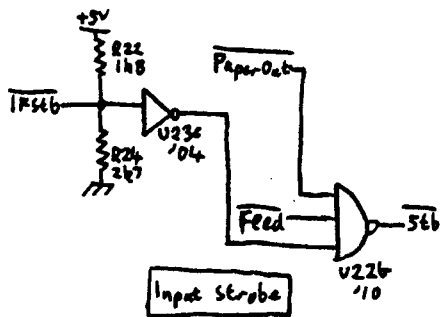
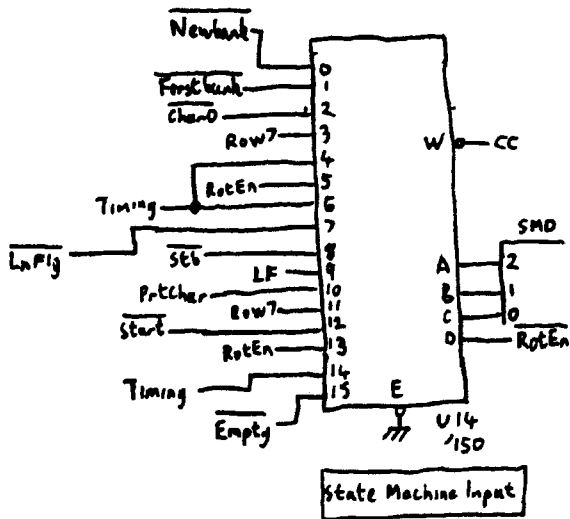


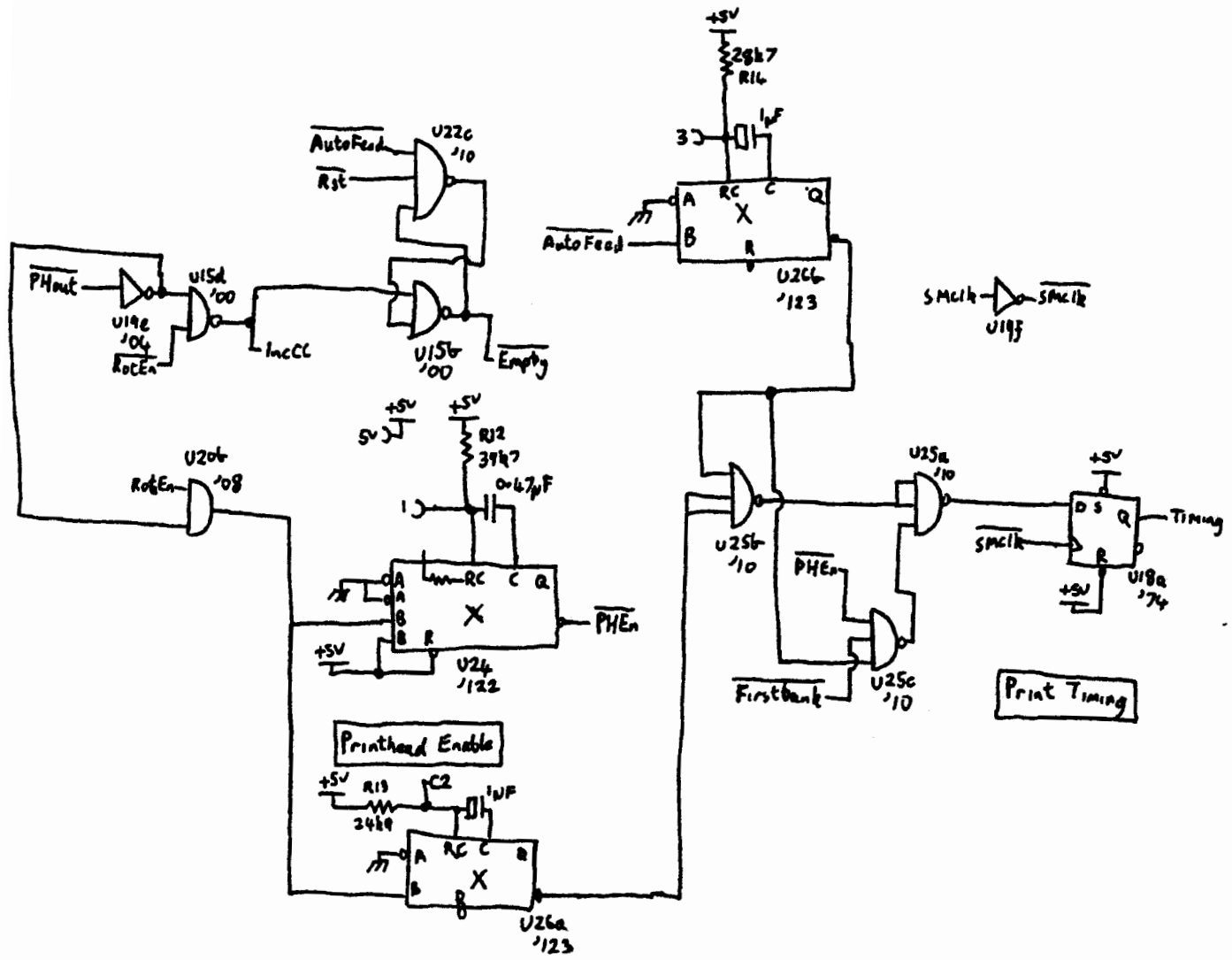


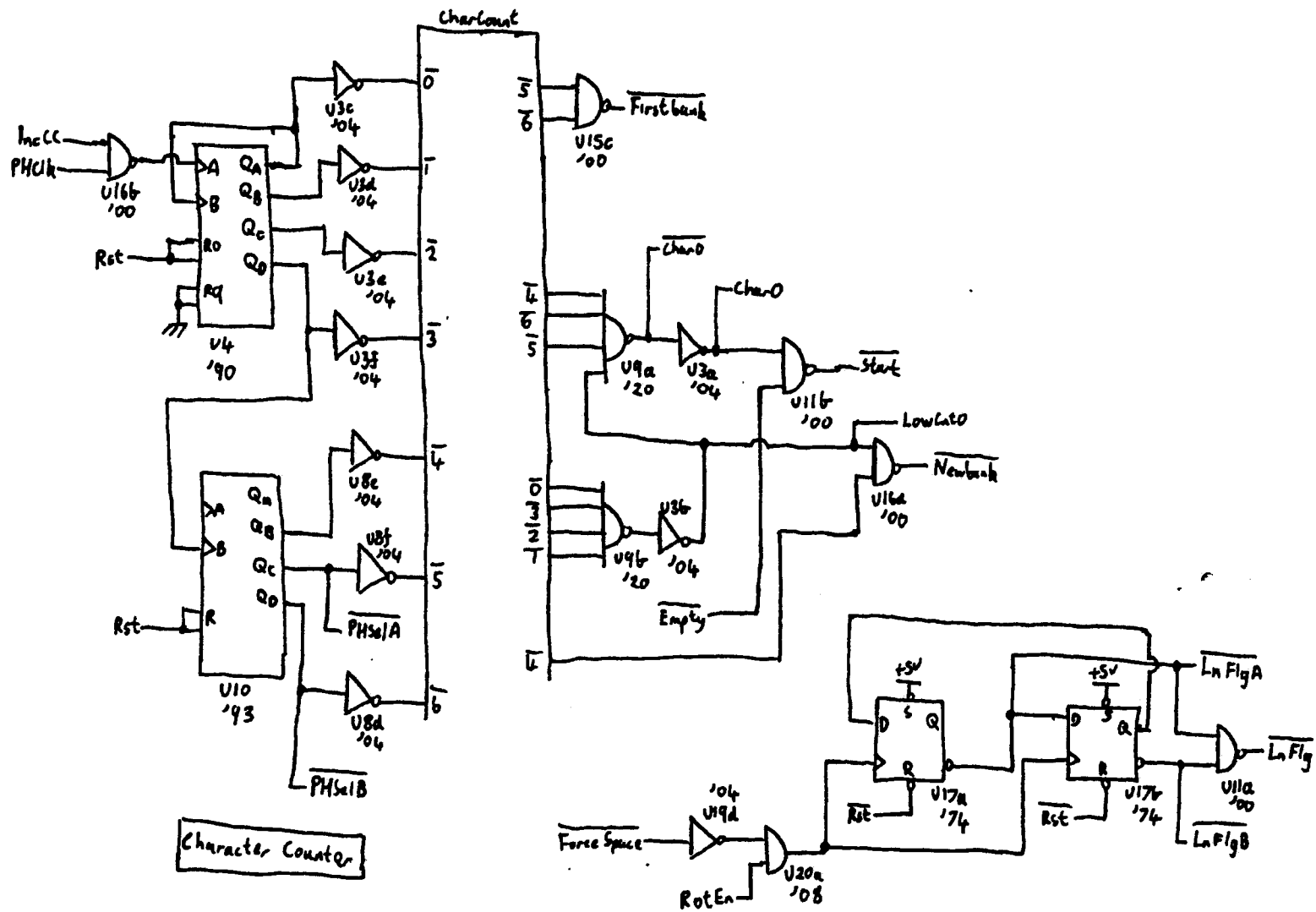


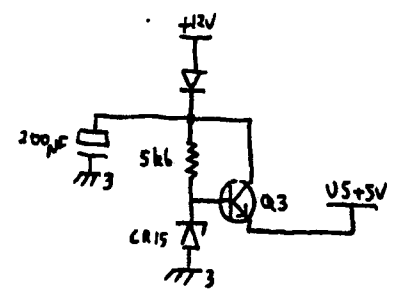
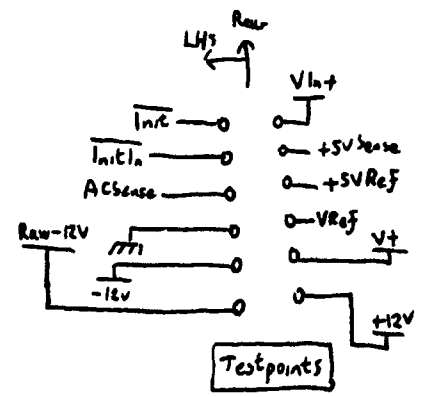
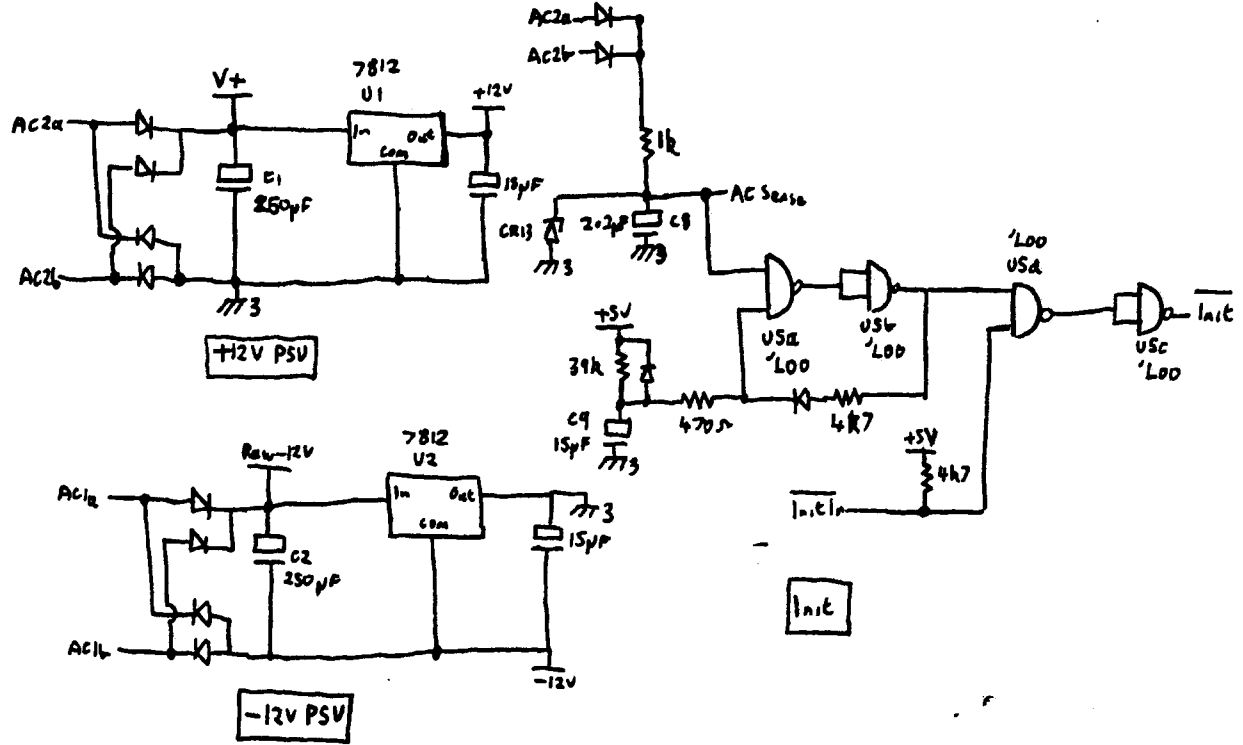
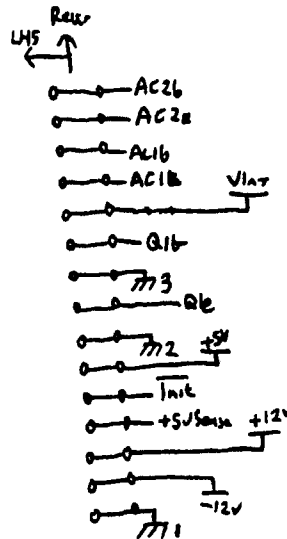


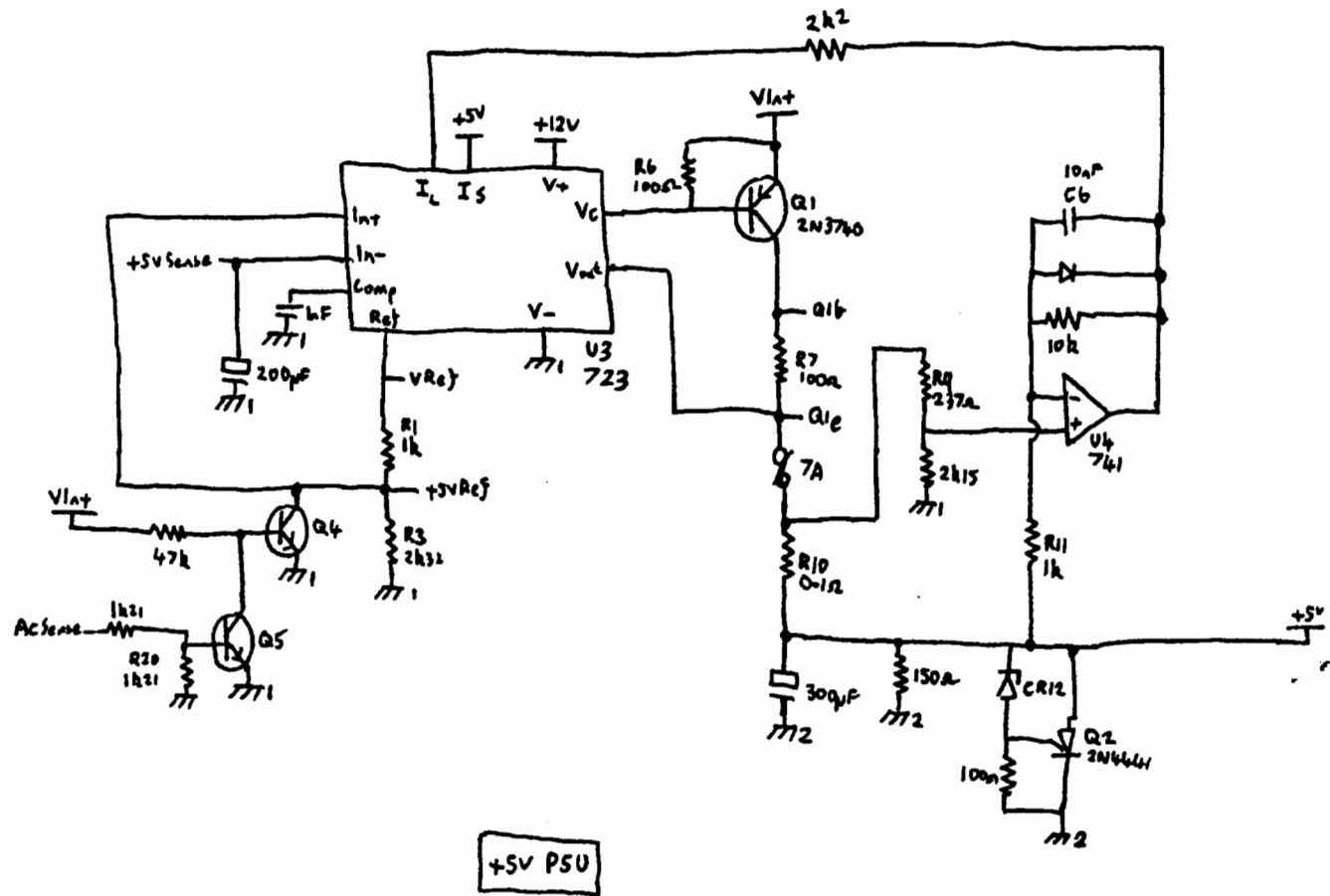
Note: U12 product as '188





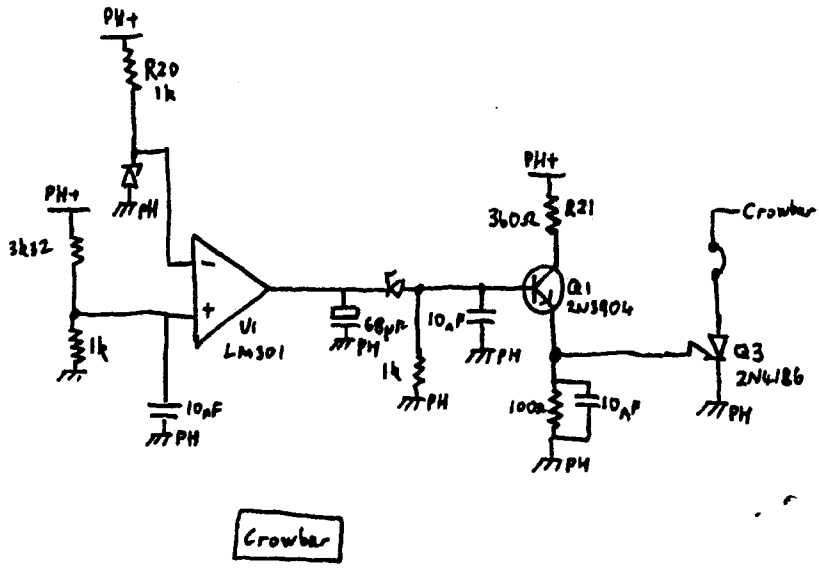
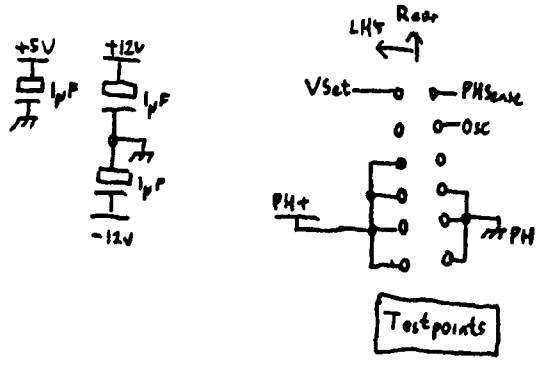
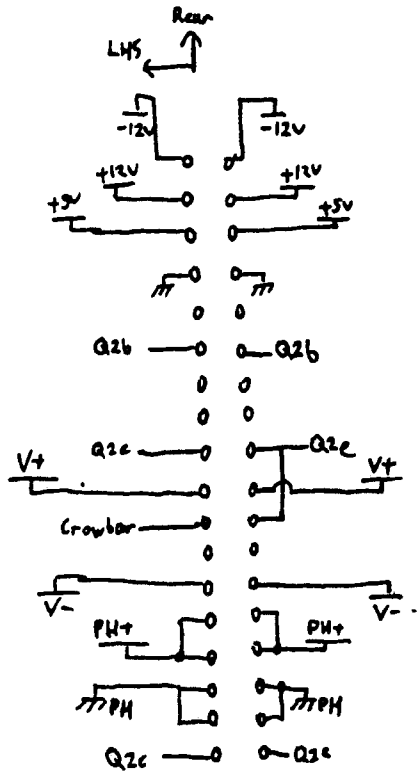


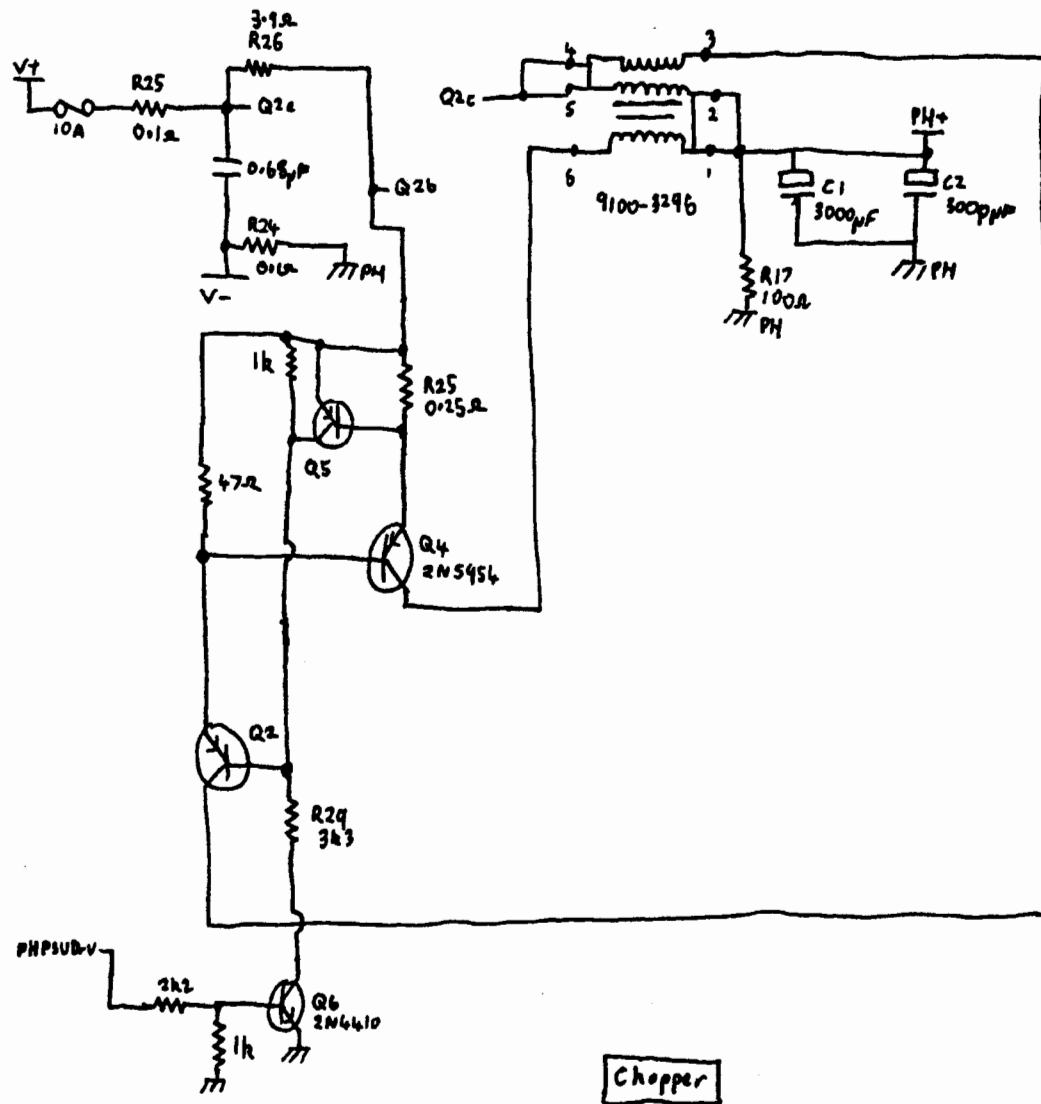


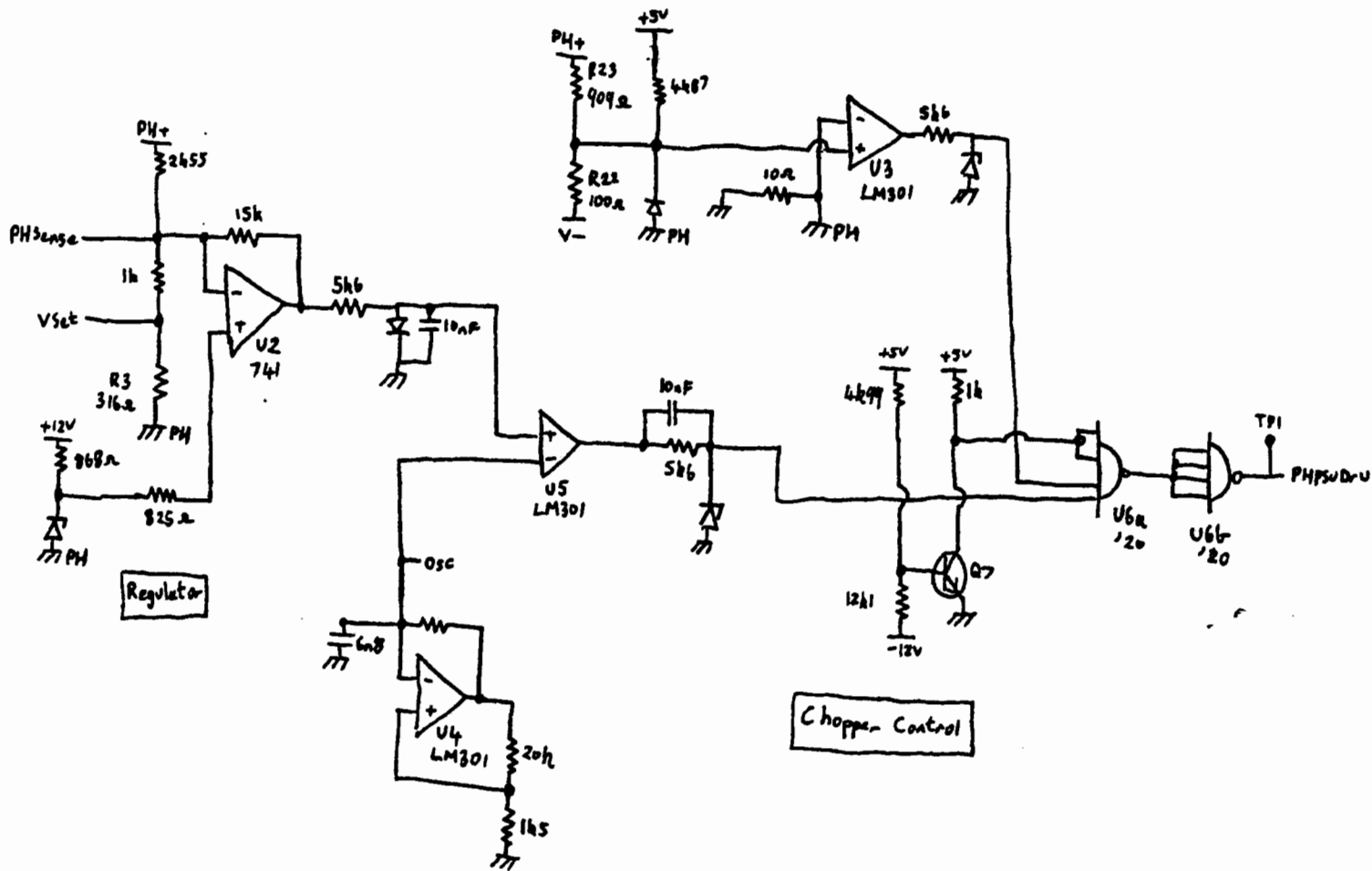


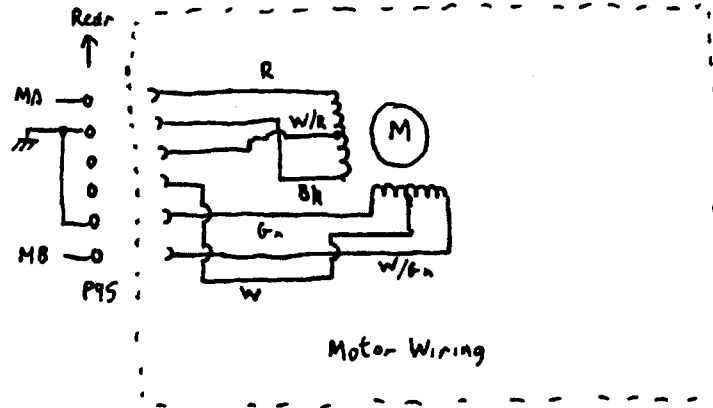
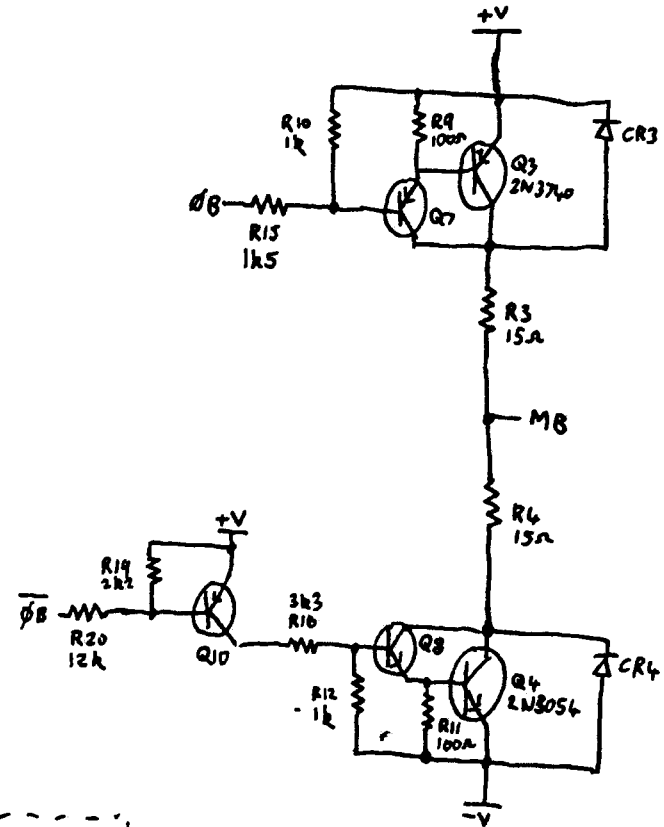
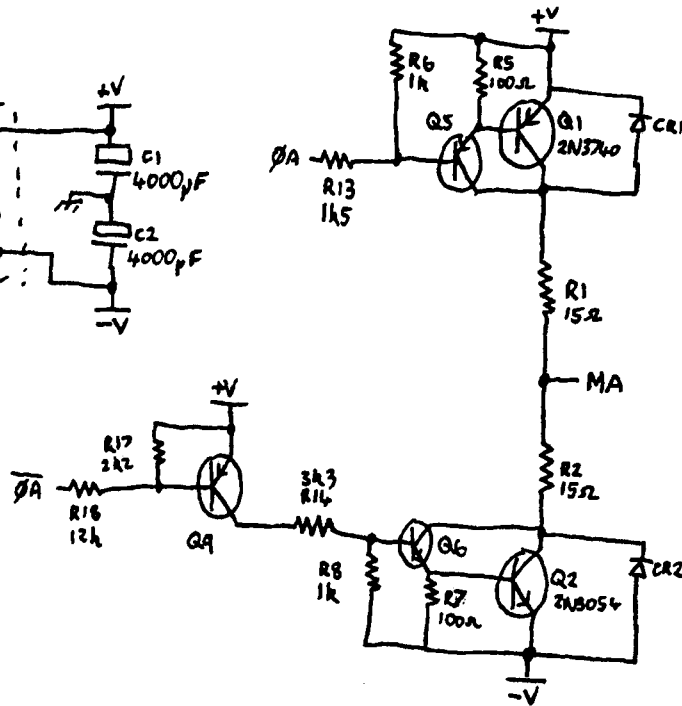
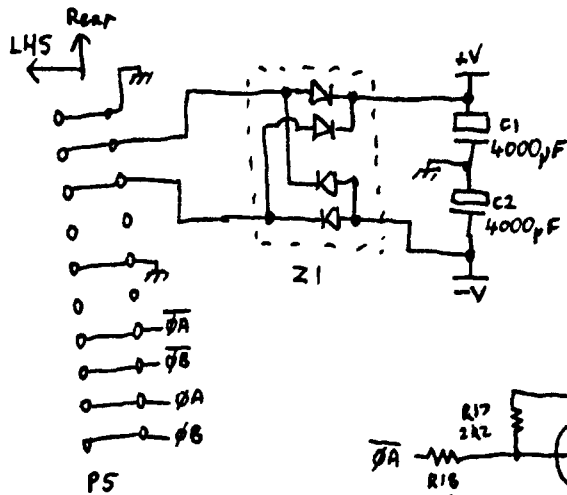
HP4866 Logic PSU sheet (2) (or)

09866-66503



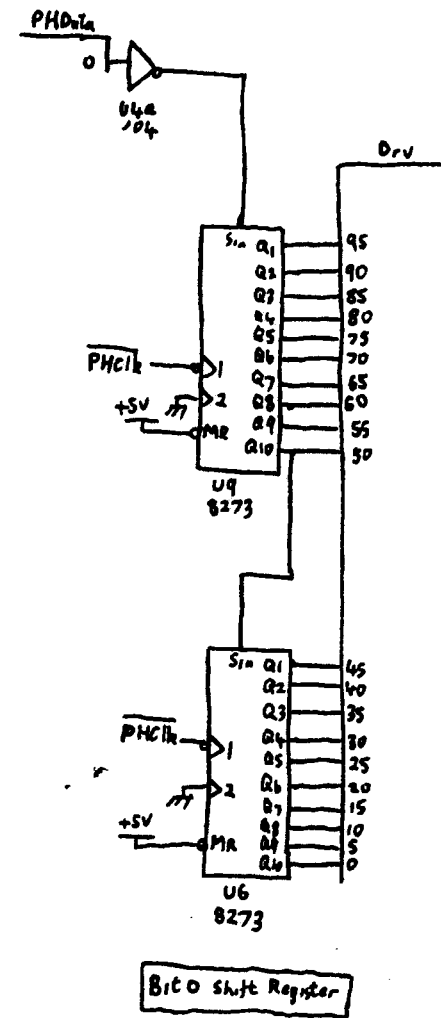
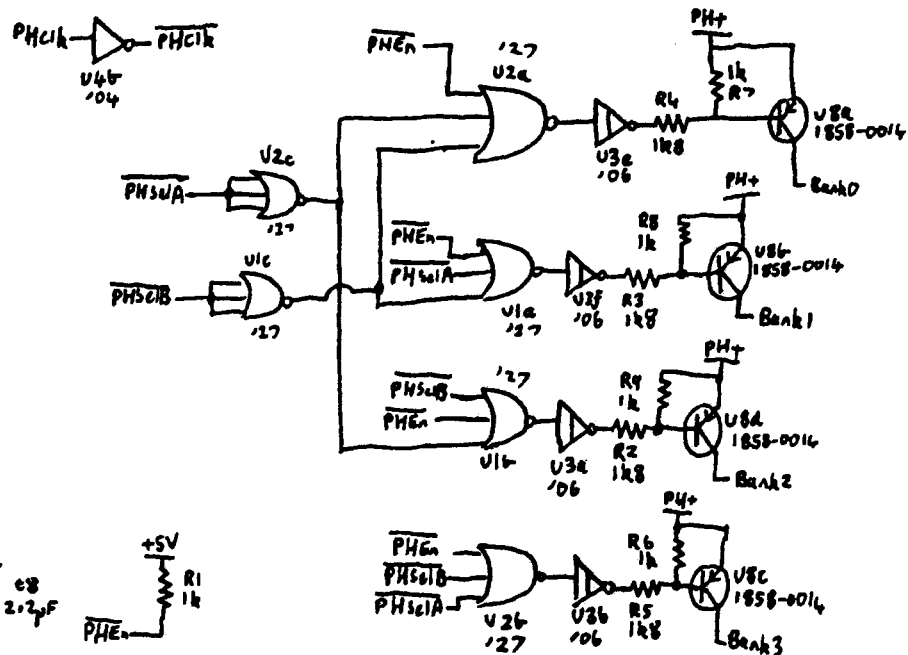
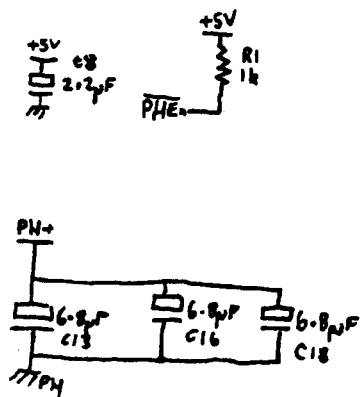
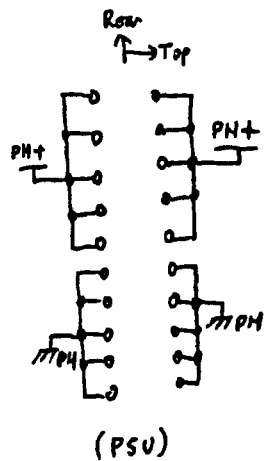
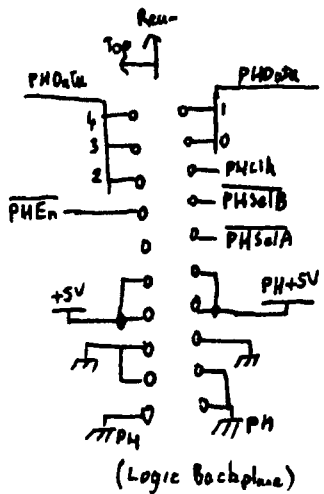


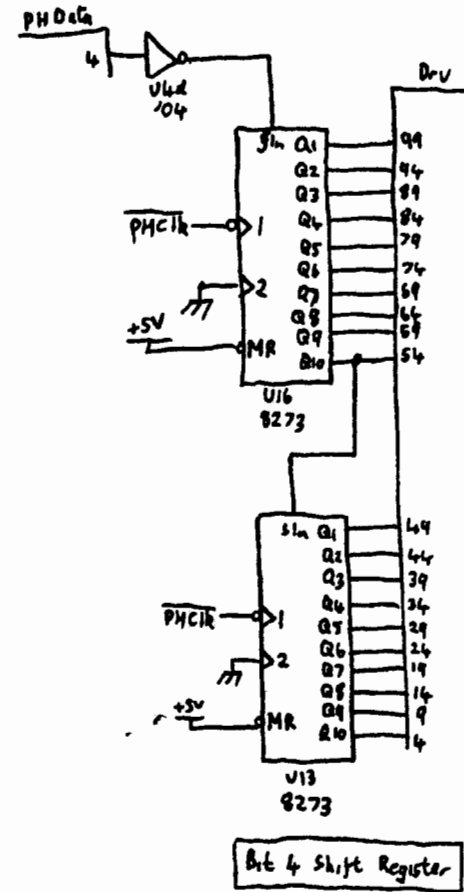
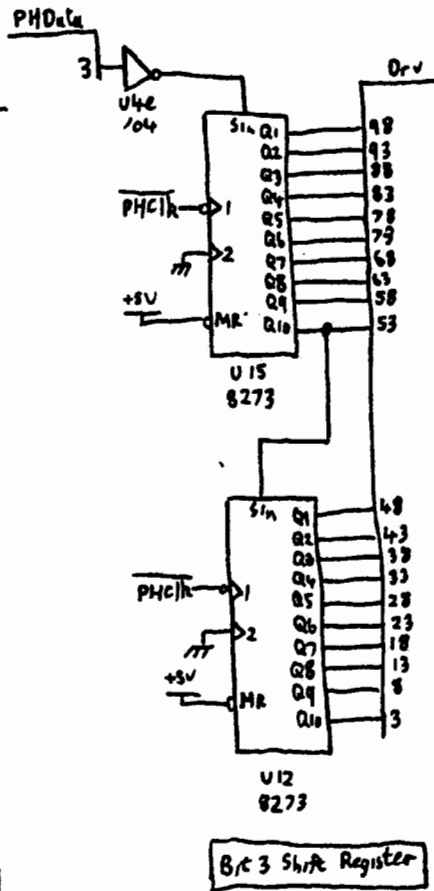
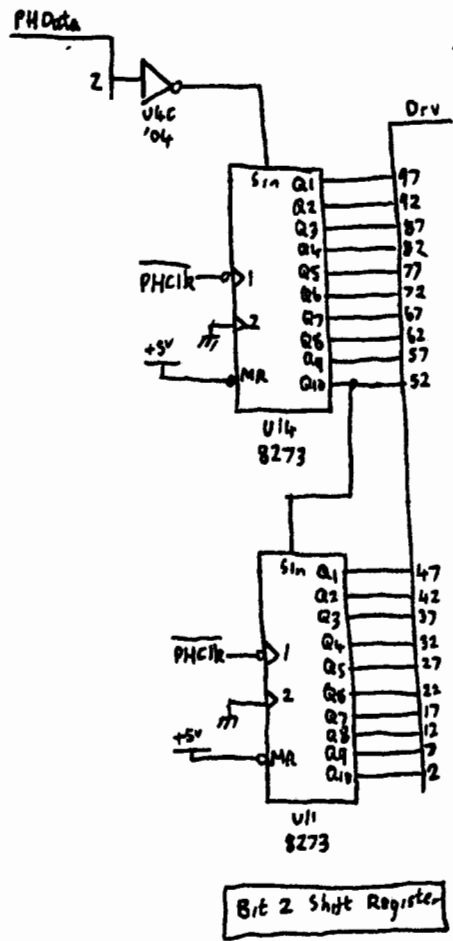
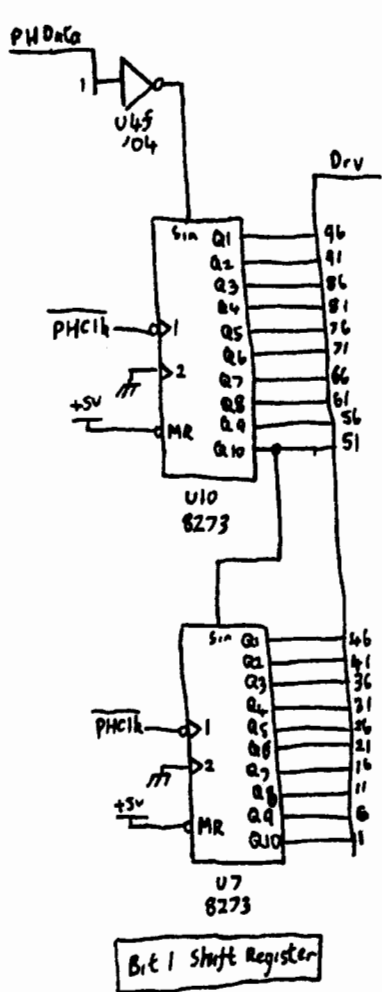


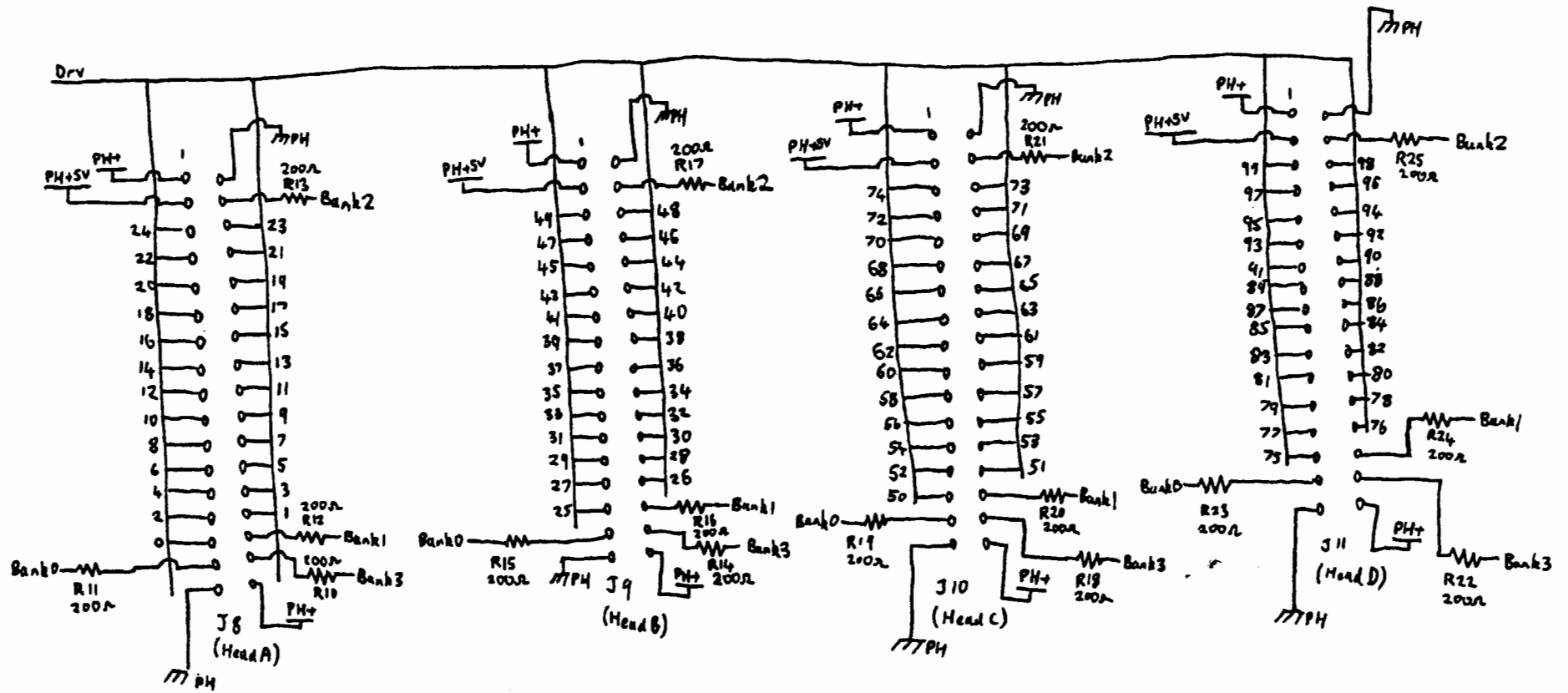


HP9866 Motor Driver PCB (Gn)

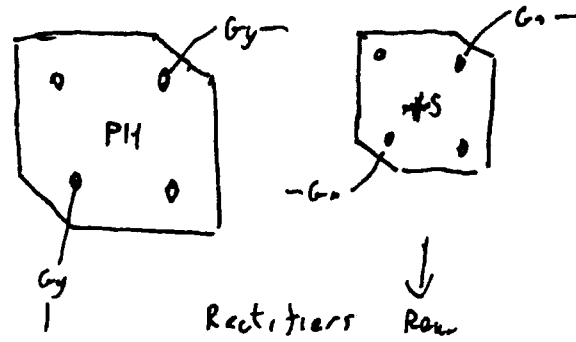
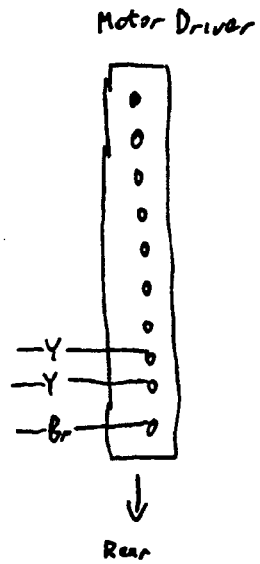
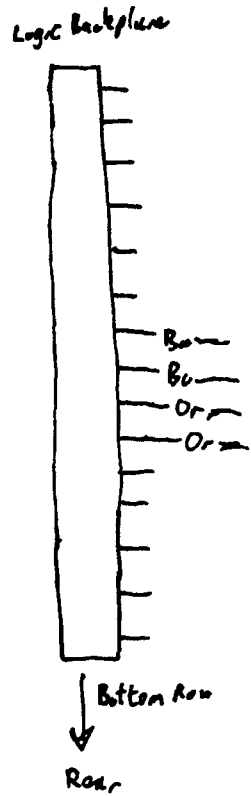
09866-66505





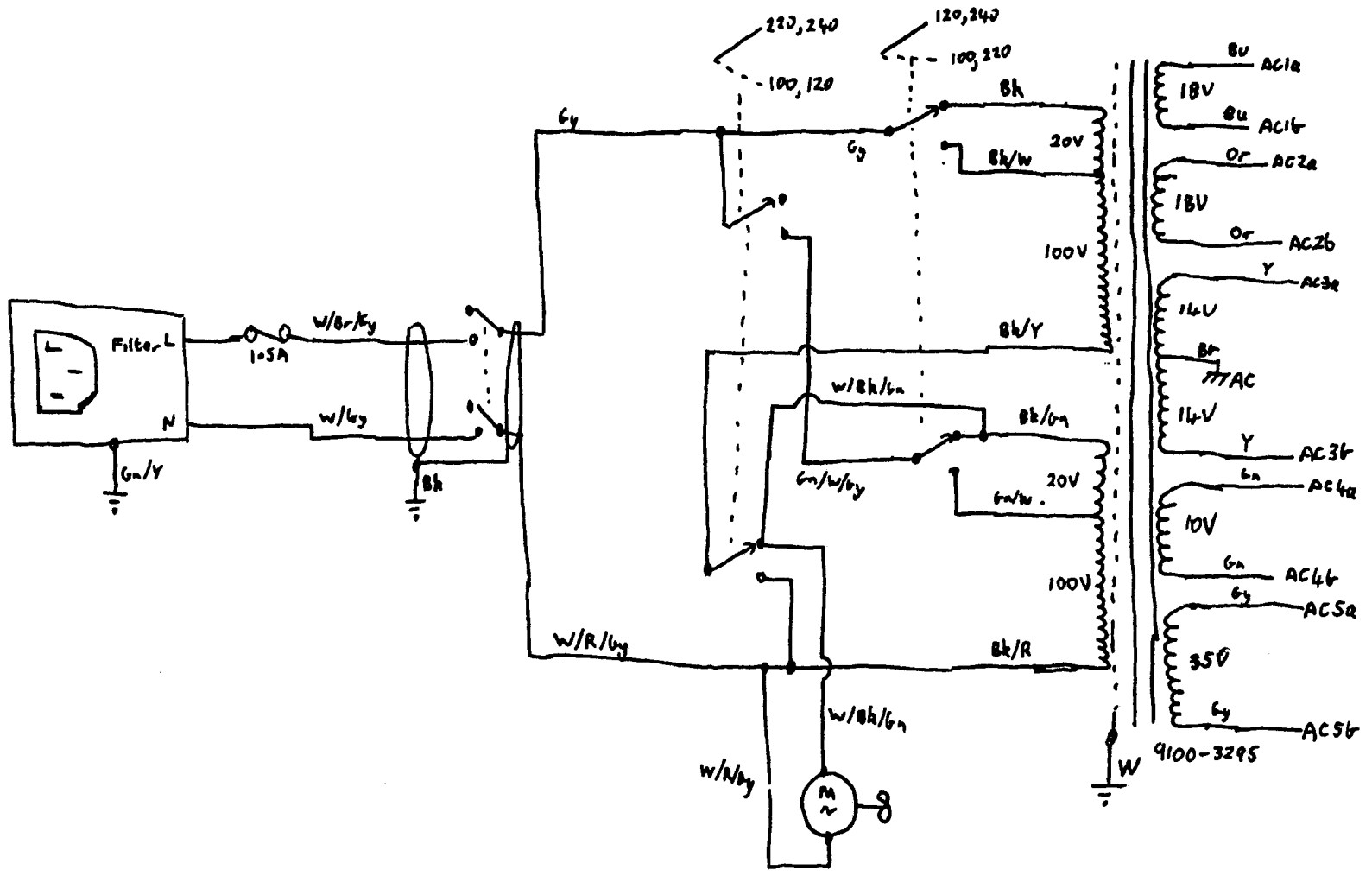


Printhead Connectors



To Separate Rear Panel from Chassis,
Desolder Wires Shown

HP9866 Printer



HP 9866 Chassis Wiring Sheet (1)

