

ECO #2 REWORK INSTRUCTIONS
WI-E ADDS SIDE 1
2-2 E92-4 TO E116-4

THIS DRAWING AND ANY INFORMATION CONTAINED HEREIN IS UNCLASSIFIED
DATE 08-14-2001 BY 60322 UCBAW/STP

0-0-20007

UNCLASSIFIED
DATE 08-14-2001 BY 60322 UCBAW/STP

D.P.M.

DOCUMENT NUMBER
EUA L0002-0-0 E
SCALE 2/1 SHEET 2 OF 2

EUA L0002-0-0 B

| LINE ITEM | DOCUMENT NUMBER | PART NUMBER | DESCRIPTION | QTY PER VARIATION 00 | REFERENCE DESIGNATOR |
|-----------|-----------------|------------------|-------------|-------------------------|--|
| 1 | 1 | E-MD-5013555-0-0 | 5013555-00 | 1 | ETCHED CIRCUIT BOARD |
| 2 | 2 | SEE NOTES | 1012084-01 | 6 | 8 MFD 25V +75-10% AL EL |
| 3 | 3 | | 1012784-00 | 73 | .047 MFD 50V +80-20% CER |
| 4 | 4 | | 1210711-02 | 1 | /REPLACED BY 12-16988-02 |
| 5 | 5 | | 1215924-00 | 22 | SOCKET IC W/METAL CONT |
| | | | | | CONT XE59-XE60, XE69-XE70, XE83-XE85, XE90-XE92, XE97, XE98, XE107, XE108, CONT XE117, XE118, XE127, XE128, CONT XE133-XE136 |
| 6 | 6 | | 1300005-04 | 2 | R NETWORK 15-470 5.0 % 16PIN |
| 7 | 7 | | 1300365-00 | 1 | 1.0 K .25 W 5.0 % CC |
| 8 | 8 | | 1301890-00 | 2 | 560.0 .25 W 5.0 % CC |
| 9 | 9 | | 1811660-21 | - | *** THIS ITEM IS NOT USED *** |
| 10 | 10 | | 1910532-00 | 5 | 74S00 NAND GATE-QUAD 2IN |
| 11 | 11 | | 1910533-00 | 1 | 74S03 NAND GATE-QUAD 2IN,0 |
| 12 | 12 | | 1910534-00 | 4 | 74S04 INVERTER GATE-HEX 1I |
| 13 | 13 | | 1910535-00 | 1 | 74S05 INVERTER GATE-HEX 1 |
| 14 | 14 | | 1910536-00 | 4 | 74S10 NAND GATE-TRIPLE 3IN |
| 15 | 15 | | 1910539-00 | 1 | 74S20 NAND GATE-DUAL 4INPU |
| 16 | 16 | | 1910540-00 | 1 | 74S22 NAND GATE-DUAL 4INPU |
| 17 | 17 | | 1910544-00 | 1 | 74S74 FF-D DUAL,EDGE TRIGG |
| 18 | 18 | | 1910545-00 | 1 | 74S112 FF-JK DUAL,EDGE TRIG |
| 19 | 19 | | 1910547-00 | 2 | 74S153 MUX 1 OF 4 (DUAL) |
| 20 | 20 | | 1910548-00 | 1 | 74S157 MUX 1 OF 2 (QUAD) |
| 21 | 21 | | 1910552-00 | 1 | 74S194 SHIFT REG.,4BIT RIGH |
| 22 | 22 | | 1910956-00 | 9 | 74S151 MUX 1 OF 8 |
| | | | | | CONT E17,E24,E31,E52,E35 E42 E4,L,5,E55,E57 E68 E5,E49,E63,E75 E62 E22 E3 E56 E34,E64 E6 E30 E18,E32,E33,E46,E54,E66,E67,E76, CONT E77 E12,E16,E28,E47,E74,E82,E87,E88 |
| 23 | 23 | | 1911573-00 | 8 | 74S280 PARITY GEN/CHKR,9BIT |
| 24 | 24 | | 1911675-00 | 1 | 74S138 DECODER/DEMUX 3-8 LIN |
| 25 | 25 | | 1912389-00 | 1 | 74S08 AND GATE-QUAD 2IN,PO |
| 26 | 26 | | 1912586-00 | 4 | DM 85S68N REGISTER,64BIT EDGE |

| REVISION HISTORY | | | BASIC PART NO: L0002 | | DRN: | D. SIREEN | DATE: | 19-OCT-79 | D I G I T A L | | | |
|------------------|-------------|-----|----------------------|------|------------------|--------------|----------------------|-----------|------------------|------------|-------------|--------|
| ENG | ECD NUMBER | REV | SECTION A | OF A | CHK'D: | E.T. GERRY | DATE: | 19-OCT-79 | TITLE PARTS LIST | | | |
| D.L. | L0002-TW001 | C | [A] | 00 | | | | | D.P.M. | | | |
| | | | [B] | | DES.ENG: | D. LI | DATE: | 19-OCT-79 | DOCUMENT NUMBER | | | |
| | | | [C] | | RESP.ENG.: | D. LI | DATE: | 19-OCT-79 | SIZE | CODE | NUMBER | REV |
| | | | [D] | | | | | | K | PL | L0002-0-DBP | C |
| | | | [E] | | MFG.ENG.: | VANCE PARKER | DATE: | 8-FEB-80 | | | | |
| | | | [F] | | ASSEMBLY NUMBER: | | TOP DOCUMENT NUMBER: | | | FILE NAME: | | EDIT # |
| | | | [G] | | E-UA-L0002-0-0 | | B-DD-L0002-0-0 | | | Z1257.PLS | | 14 |
| | | | [H] | | | | | | | | | |
| | | | [I] | | | | | | | | | |
| | | | [J] | | | | | | | | | |
| | | | [K] | | | | | | | | | |
| | | | [L] | | | | | | | | | |
| | | | [M] | | | | | | | | | |
| | | | [N] | | | | | | | | | |

"THIS DRAWING AND SPECIFICATIONS HEREIN, ARE THE PROPERTY OF DIGITAL EQUIPMENT CORPORATION AND SHALL NOT BE REPRODUCED OR COPIED OR USED IN WHOLE OR IN PART AS THE BASIS FOR THE MANUFACTURE OR SALE OF ITEMS WITHOUT WRITTEN PERMISSION. COPYRIGHT (C) 1980. DIGITAL EQUIPMENT CORPORATION "

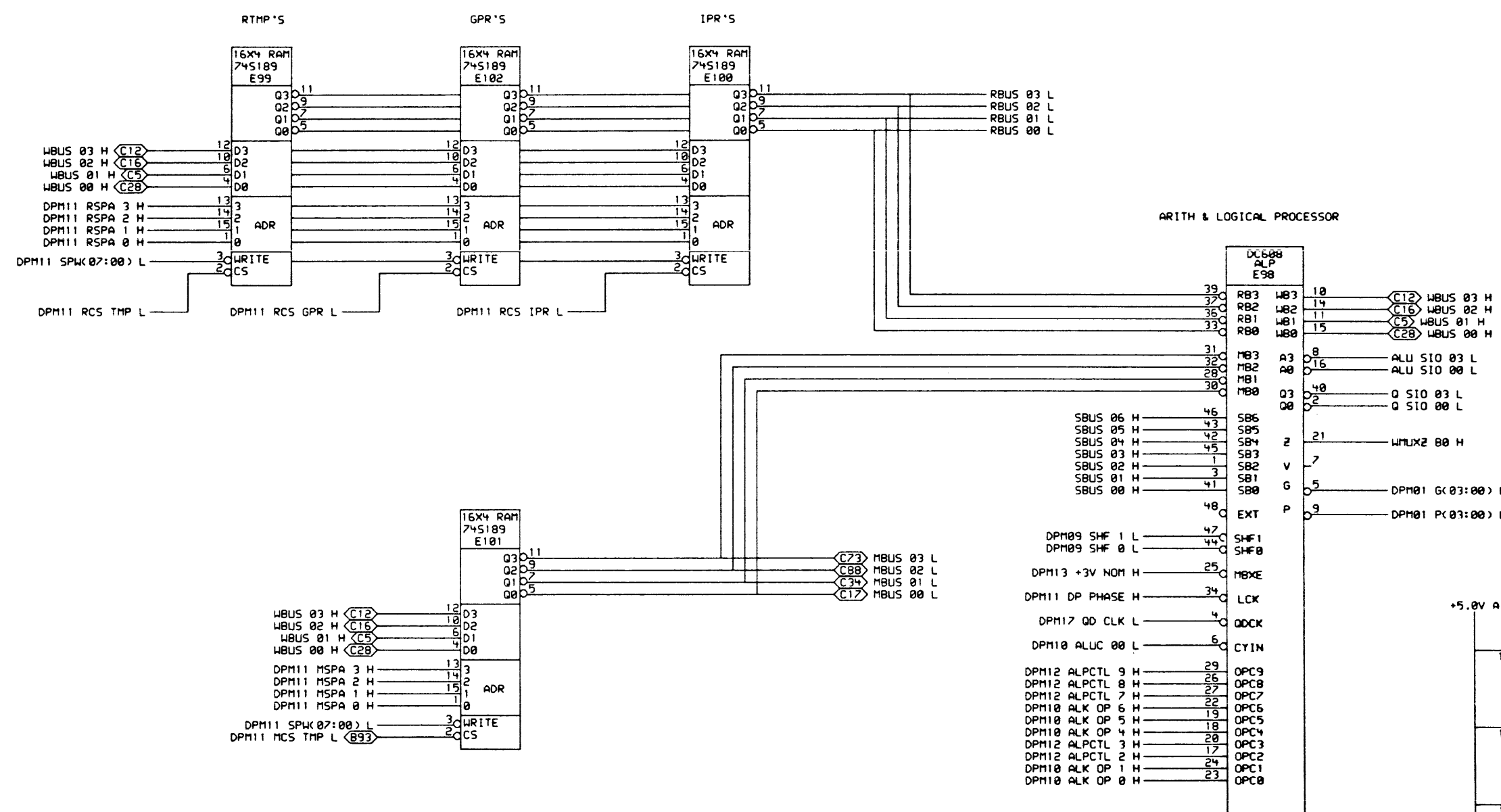
TWJ

| LINE | ITEM | DOCUMENT NUMBER | PART NUMBER | DESCRIPTION | QTY PER VARIATION 00 | REFERENCE DESIGNATOR |
|------|------|-----------------|-------------|----------------------------------|-------------------------|---|
| 27 | 27 | | 1912661-00 | 74S189 MEMORY READ/WRITE | 32 | E93-E96,E99-E106,E109-E116, CONT E119-E126,E129-E132 |
| 28 | 28 | | 1912746-00 | DEC 74S37 NAND GATE-QUAD 2IN | 2 | E53,E65 |
| 29 | 29 | | 1913462-00 | 74S240 OCTAL BUFFER,INVERTI | 1 | E40 |
| 30 | 30 | | 1913493-00 | 74S241 OCTAL BUFFER,TRI-STA | 1 | E41 |
| 31 | 31 | | 1913671-00 | 74S374 FF-D OCTAL TRISTATE | 8 | E14,E26,E29,E44,E79-E81,E86 |
| 32 | 32 | | 1913839-00 | 74LS165 SHIFT REG.,8BIT | 2 | E50,E58 |
| 33 | 33 | | 1914085-00 | 74S260 NOR GATE-DUAL,POS | 1 | E23 |
| 34 | 34 | | 1914214-00 | LS374 FF-D OCTAL EDGE TRIG | 5 | E13,E71-E73,E78 |
| 35 | 35 | | 1914694-00 | DC 620A BIPOLAR,LS,400-GATE | 1 | E92 |
| 36 | 36 | | 1914682-00 | DC 608B BIPOLAR,LS,400-GATE | 8 | E97,E98,E107,E108,E117,E118, CONT E127,E128 |
| 37 | 37 | | 1914694-00 | DC 610B BIPOLAR,LS,400-GATE | 1 | E70 |
| 38 | 38 | | 1914686-00 | DC 612B BIPOLAR,LS,400-GATE | 1 | E91 |
| 39 | 39 | | 1914687-00 | DC 613B BIPOLAR,LS,400-GATE | 4 | E133-E136 |
| 40 | 40 | | 1914688-00 | DC 614C BIPOLAR,LS,400-GATE | 1 | E84 |
| 41 | 41 | | 1914689-00 | DC 615B BIPOLAR,LS,400-GATE | 1 | E90 |
| 42 | 42 | | 1914690-00 | DC 616C BIPOLAR,LS,400-GATE | 1 | E85 |
| 43 | 43 | | 1914691-00 | DC 617C BIPOLAR,LS,400-GATE | 1 | E69 |
| 44 | 44 | | 1914695-00 | DC 621C BIPOLAR,LS,400-GATE | 1 | E59 |
| 45 | 45 | | 1914696-00 | DC 622B BIPOLAR,LS,400-GATE | 1 | E83 |
| 46 | 46 | | 1914703-00 | DC 629C BIPOLAR,LS,400-GATE | 1 | E60 |
| 47 | 47 | | 23553A2-00 | A2-05 | 1 | E51 |
| 48 | 48 | | 23904A9-00 | A9-01 | 1 | E15 |
| 49 | 49 | | 23618F1-00 | F1-01 | 1 | E20 |
| 50 | 50 | | 23619F1-00 | F1-02 | 1 | E21 |
| 51 | 51 | | 23021F2-00 | F2-01 | 1 | E7 |
| 52 | 52 | | 23022F2-00 | F2-01 | 1 | E25 |
| 53 | 53 | | 23023F2-00 | F2-01 | 1 | E27 |
| 54 | 54 | | 23024F2-00 | F2-02 | 1 | E8 |
| 55 | 55 | | 23025F2-00 | F2-02 | 1 | E9 |
| 56 | 56 | | 23026F2-00 | F2-02 | 1 | E10 |
| 57 | 57 | | 23027F2-00 | F2-02 | 1 | E11 |
| 58 | 58 | | 9000024-01 | EYELET, ROLLED FLANGE, .121 OD X | 12 | |
| 59 | 59 | | 1302379-00 | 75.0 .25 W 5.0 % CC | 6 | R5-R9,R11 |
| 60 | 60 | | 1503121-00 | 2N 2369 NPN 350MW SI N | 2 | Q2,Q3 |
| 61 | 61 | | 1912388-00 | 74S02 NOR GATE-QUAD 2IN,PO | 1 | E2 |
| 62 | 62 | | 1215006-03 | SOCKET 18PIN IC LOW PROFILE | 9 | XE7-XE11,XE20,XE21,XE25,XE27 |
| 63 | 63 | | 1215935-00 | GASKET, THERMAL .50"X.80" | 22 | |
| 64 | 64 | | 1215936-00 | HEAT SINK, FORCED CONVECTION | 22 | |
| 65 | 65 | | 1305125-00 | 383.0 .25 W 1.0 % RN55D-F10 | 1 | R12 |

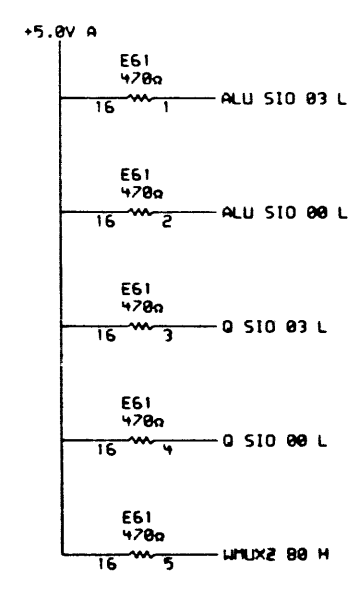
66 NOTE: SOME MODULES WILL HAVE 10-05306 INSTEAD OF 10-12084-01

| D I G I T A L | | | | | | | | | | SECTION A OF A | | SIZE | CODE | DOCUMENT NUMBER | REV |
|---------------|--|--|--|--|--|--|--|--|--|----------------|--|------|------|-----------------|-----|
| D.P.M. | | | | | | | | | | | | K | FL | L0002-0-DBP | C |

TW



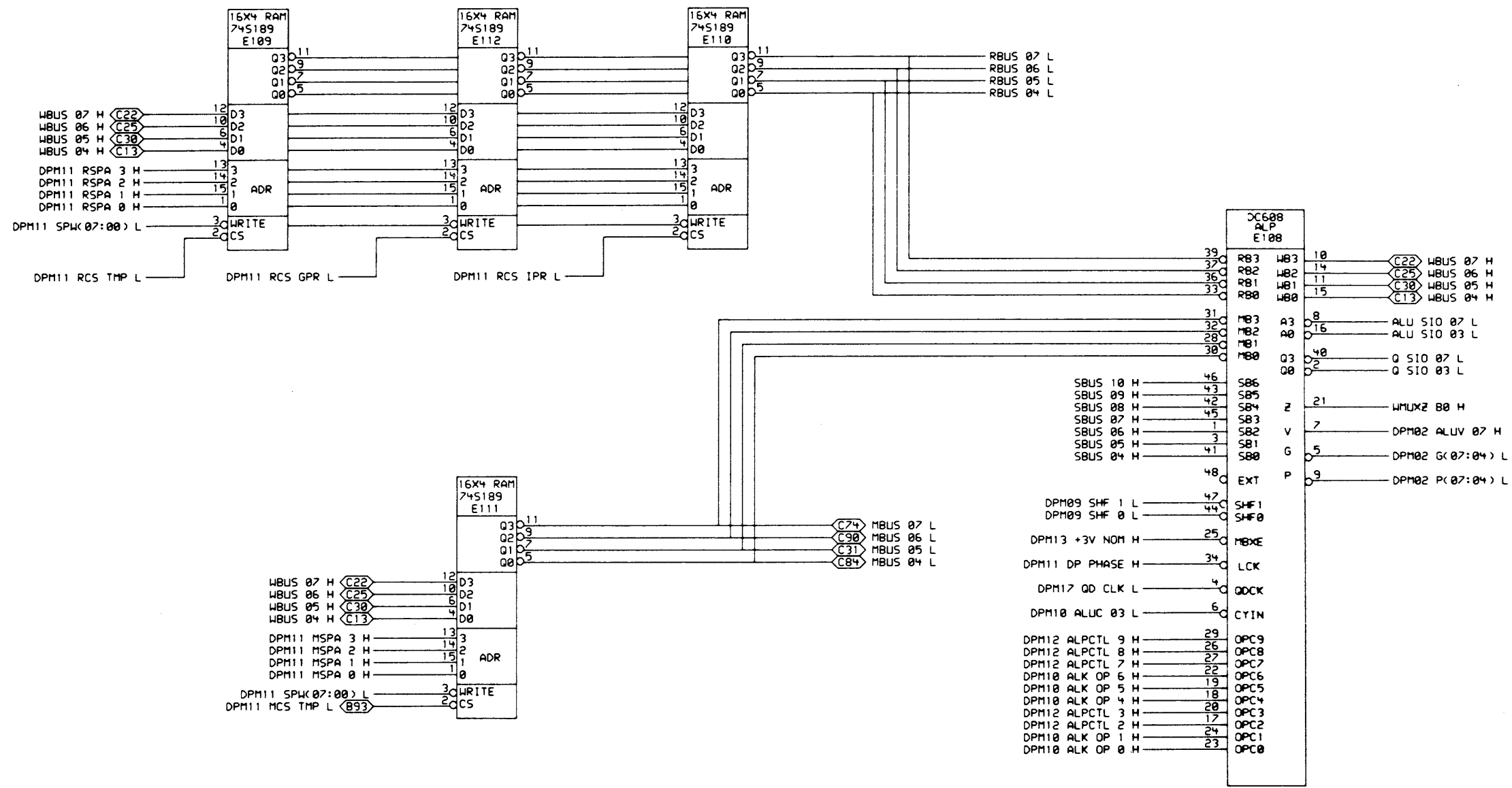
- NOTES:
- SPLIT VCC IS SUPPLIED TO I.C.'S AS FOLLOWS:
 - +5.0V A (A20, A38, A58, A76, B20): E1-E52, E55-E62, E65-E69, E83
 - +5.0V B (B38, B58, B76): E53, E54, E63, E64, E70-E82, E84-E92
 - +5.0V C (C20, C38, C58, C76): E93-E136
 - ALL RESISTORS 1/4W 5% UNLESS OTHERWISE SPECIFIED.
 - POWER, GND DECOUPLING CAPS ARE LOCATED ON SHEET DPM21.



THIS DRAWING AND SPECIFICATIONS HEREIN ARE THE PROPERTY OF DIGITAL EQUIPMENT CORPORATION AND SHALL NOT BE REPRODUCED OR COPIED OR USED IN WHOLE OR IN PART AS THE BASIS FOR THE MANUFACTURE OR SALE OF ITEMS WITHOUT WRITTEN PERMISSION. COPYRIGHT © 1980, DIGITAL EQUIPMENT CORPORATION.

| REVISIONS | | |
|-----------|------------|-----|
| CHK | CHANGE NO. | REV |
| | | |

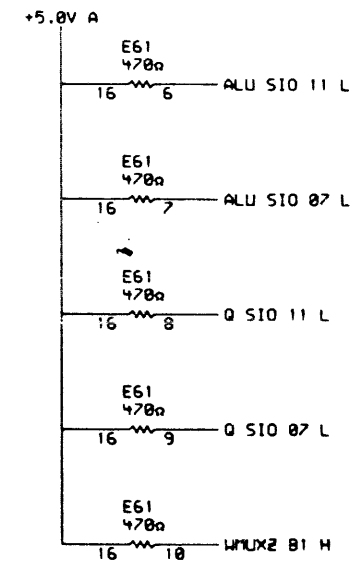
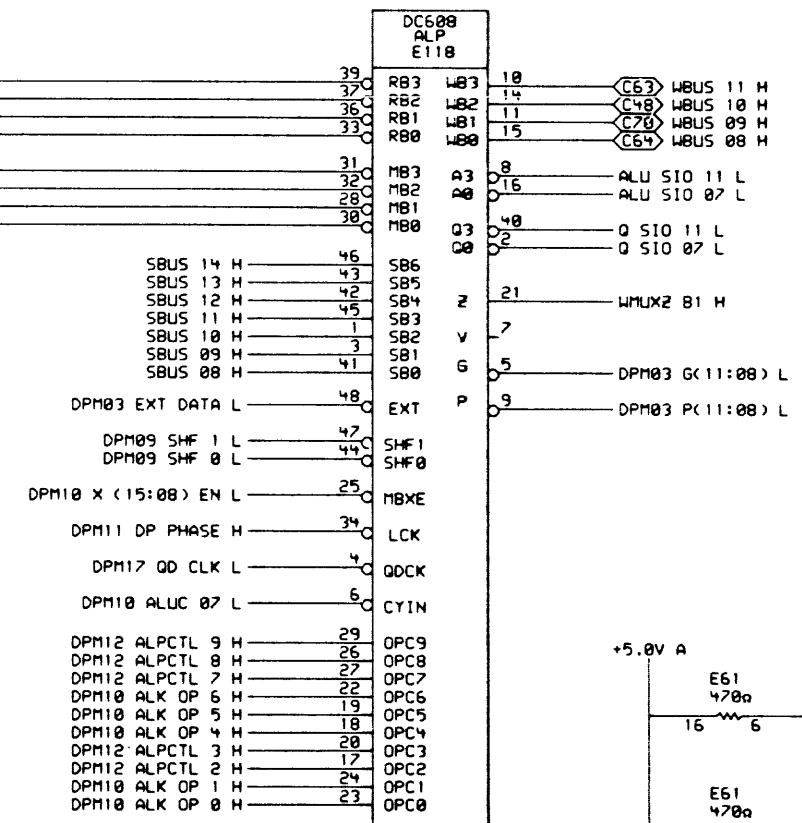
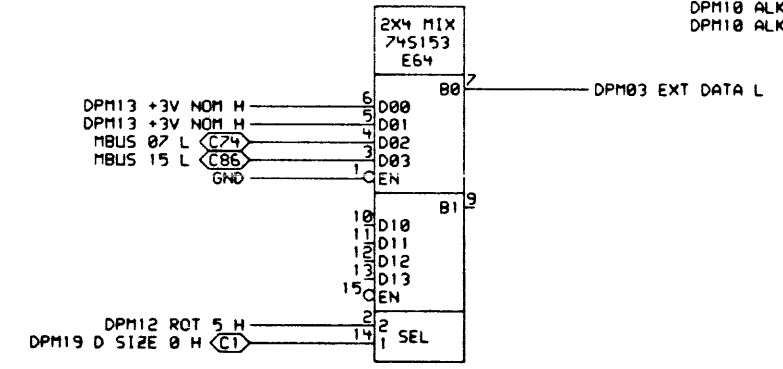
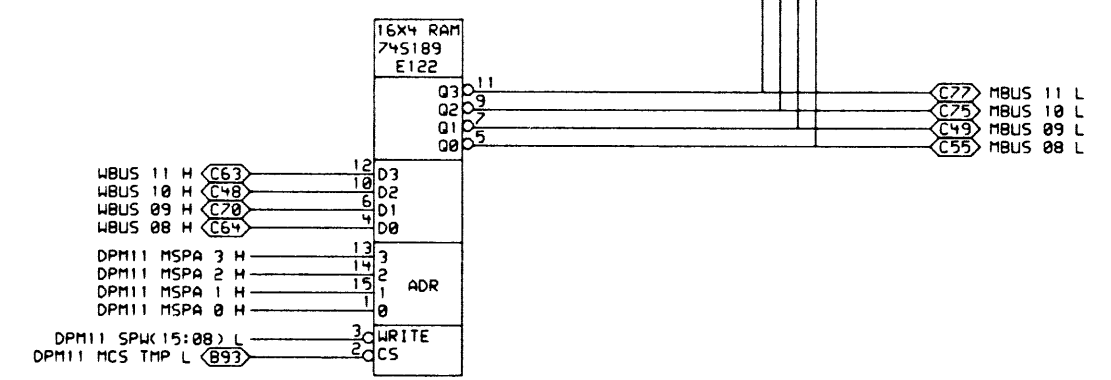
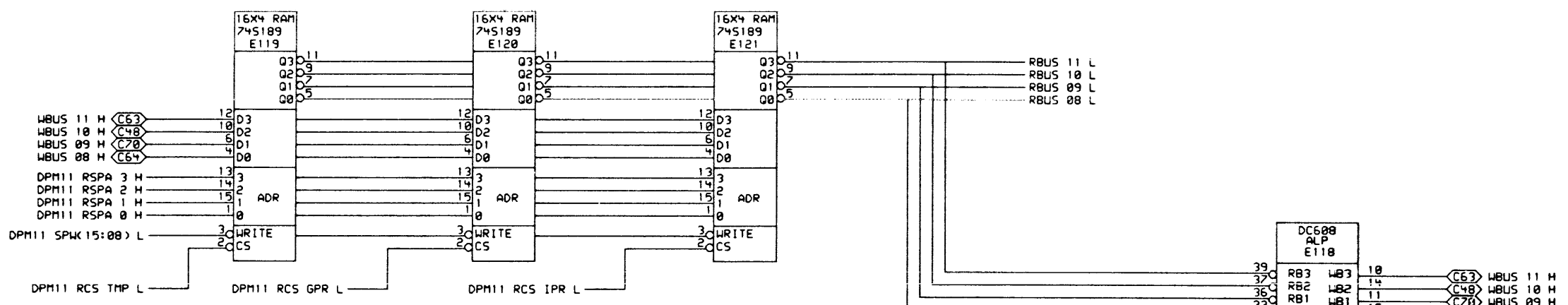
| | | | | | |
|------------------------------------|---------------|-----------------|-----------------------|-----------|-------------------|
| digital | DRN. A. Perea | DATE 26-MAR-80 | ENG. | DATE | TITLE: DPM01 |
| | CHK'D. | DATE | BOARD LOCATION: AC2 | SHEET | DATA PATH (03:00) |
| [160,1271]DPM01.DRW | | 24-MAR-80 09:10 | NEXT HIGHER ASSEMBLY: | SIZE CODE | NUMBER |
| FIRST USED ON OPTION/MODEL: 11/250 | | B-DD-L0002-0-0 | | D-CS | L0002-0-1 |
| | | | | | REV. B |



THIS DRAWING AND SPECIFICATIONS
HEREIN, ARE THE PROPERTY OF
DIGITAL EQUIPMENT CORPORATION AND
SHALL NOT BE REPRODUCED OR COPIED
OR USED IN WHOLE OR IN PART AS
THE BASIS FOR THE MANUFACTURE OR
SALE OF ITEMS WITHOUT WRITTEN
PERMISSION. COPYRIGHT © 1980,
DIGITAL EQUIPMENT CORPORATION.

| REVISIONS | |
|-----------|-----------------|
| CHK | CHANGE NO. REV. |
| | |

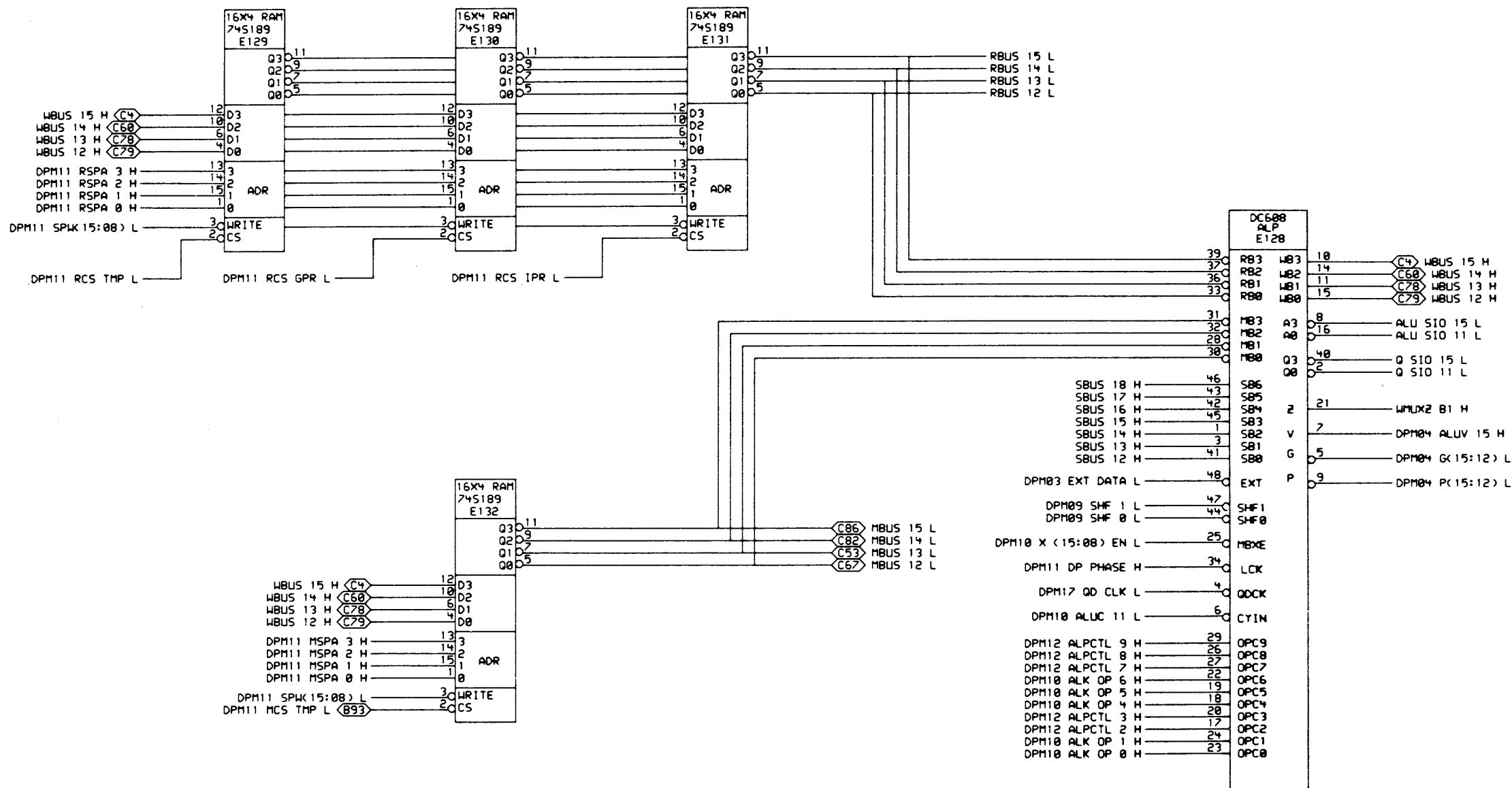
| | | | | |
|-------------------------------------|---------------------|-----------------------|---------------------|-----------------------|
| digital | DRN. <i>A. Plem</i> | DATE ENG. 26-MAR-80 | DATE | TITLE: DPM02 |
| | CHK'D. | DATE | BOARD LOCATION: AC2 | DATA PATH (07:04) |
| [160,127] DPM02.DRW 17-FEB-80 14:32 | | NEXT HIGHER ASSEMBLY: | | SIZE CODE NUMBER REV. |
| FIRST USED ON OPTION/MODEL: 11/750 | | B-DD-L0002-0-0 | | D CS L0002-0-2 B |



THIS DRAWING AND SPECIFICATIONS HEREIN ARE THE PROPERTY OF DIGITAL EQUIPMENT CORPORATION AND SHALL NOT BE REPRODUCED OR COPIED OR USED IN WHOLE OR IN PART AS THE BASIS FOR THE MANUFACTURE OR SALE OF ITEMS WITHOUT WRITTEN PERMISSION. COPYRIGHT © 1980, DIGITAL EQUIPMENT CORPORATION.

| REVISIONS | |
|-----------|----------------|
| CHK | CHANGE NO. REV |
| | |

| | | | | | |
|------------------------------------|----------------|-----------------|--------------------------------------|----------------|-------------------|
| digital | DRN. J. P. ... | DATE 25-FEB-80 | ENG. | DATE | TITLE: DPM03 |
| | CHK'D. | DATE | BOARD LOCATION: AC2 | SHEET 1 OF 1 | DATA PATH (11:08) |
| [160.1271]DPM03.DRW | | 17-FEB-80 14:35 | NEXT HIGHER ASSEMBLY: B-DD-L0002-0-0 | SIZE CODE D CS | NUMBER L0002-0-3 |
| FIRST USED ON OPTION/MODEL: 11/750 | | | | REV. B | |



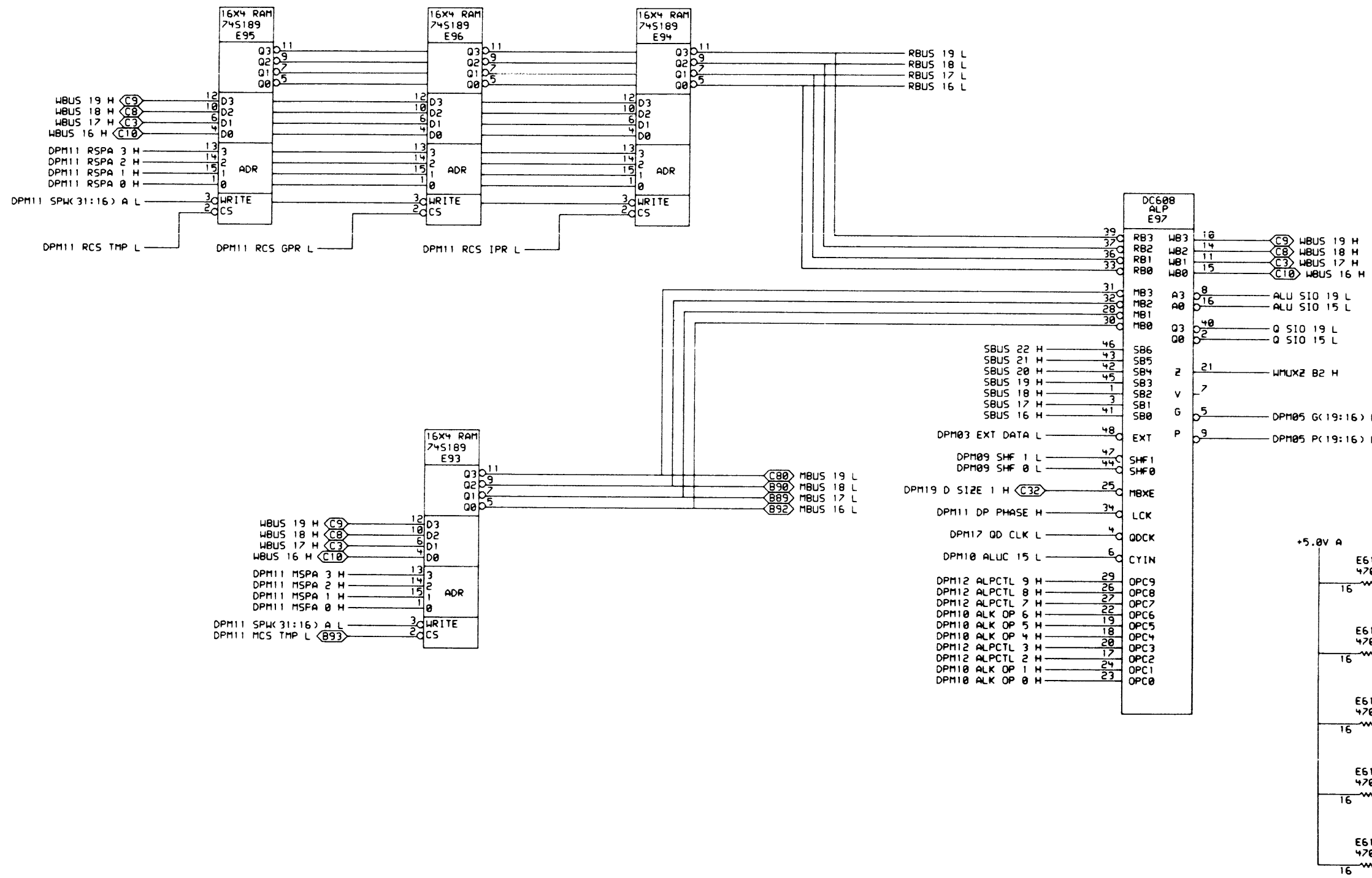
THIS DRAWING AND SPECIFICATIONS ARE THE PROPERTY OF DIGITAL EQUIPMENT CORPORATION AND SHALL NOT BE REPRODUCED OR COPIED OR USED IN WHOLE OR IN PART AS THE BASIS FOR THE MANUFACTURE OR SALE OF ITEMS WITHOUT WRITTEN PERMISSION. COPYRIGHT © 1980. DIGITAL EQUIPMENT CORPORATION

| REVISIONS | | |
|-----------|------------|-----|
| CHK | CHANGE NO. | REV |
| | | |

digital
 DRN. A Perina
 DATE 26-FEB-80
 CHK'D.
 DATE 17-FEB-80 14:38
 FIRST USED ON OPTION/MODEL: 11/750

ENG.
 DATE
 BOARD LOCATION: AC2
 SHEET
 NEXT HIGHER ASSEMBLY:
 B-DD-L0002-0-0

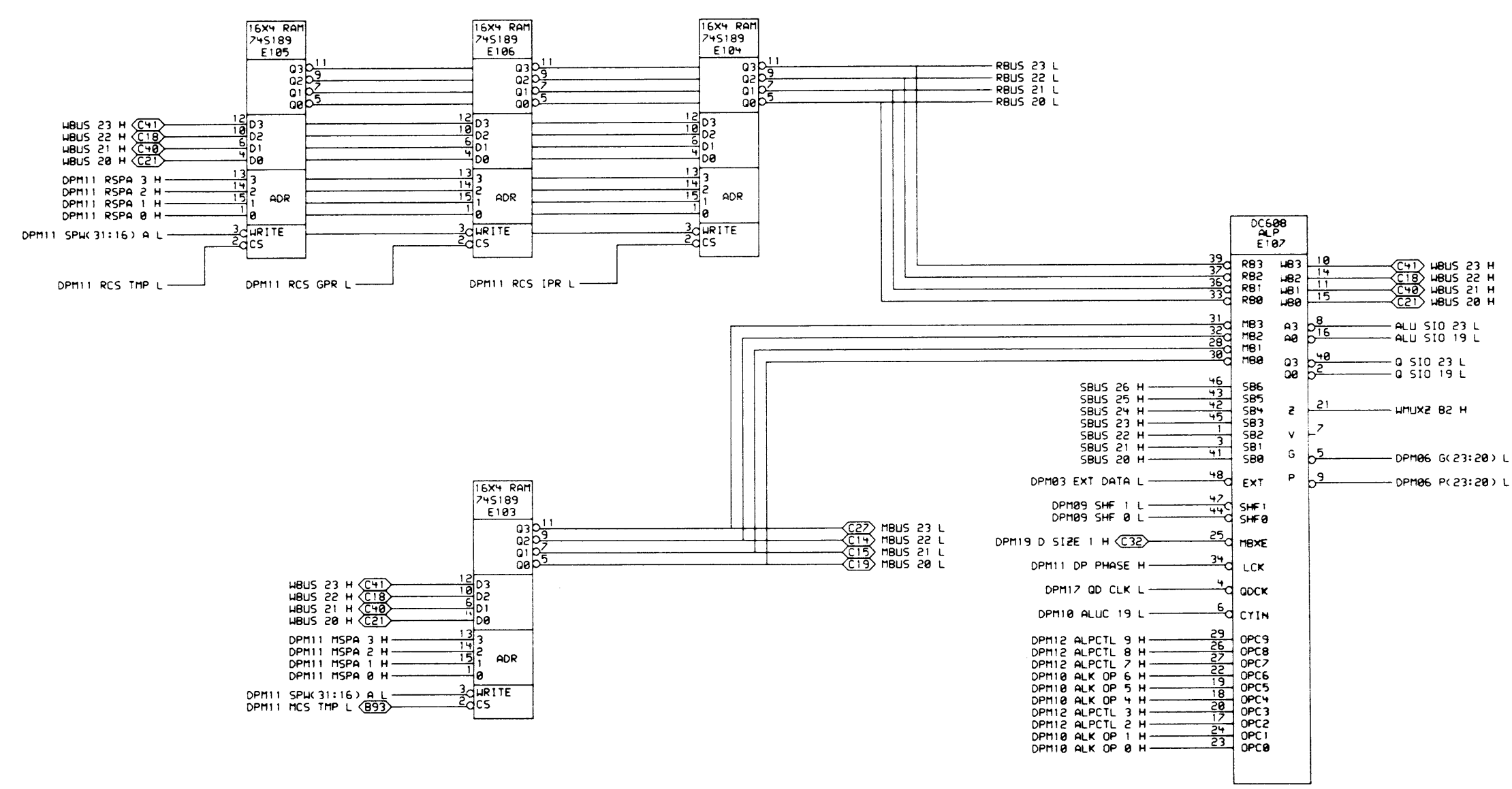
TITLE: DPM04
 DATA PATH (15:12)
 SIZE CODE NUMBER REV.
 D CS L0002-0-4 B



THIS DRAWING AND SPECIFICATIONS
HEREIN ARE THE PROPERTY OF
DIGITAL EQUIPMENT CORPORATION AND
SHALL NOT BE REPRODUCED OR COPIED
OR USED IN WHOLE OR IN PART AS
THE BASIS FOR THE MANUFACTURE OR
SALE OF ITEMS WITHOUT WRITTEN
PERMISSION. COPYRIGHT © 1980,
DIGITAL EQUIPMENT CORPORATION.

| REVISIONS | |
|-----------|----------------|
| CHK | CHANGE NO. REV |
| | |

| | | | | | |
|------------------------------------|-----------------------|--------------------------------------|---------------------|----------------|-------------------|
| digital | DRN. <i>A. Perrin</i> | DATE 26-MAR-80 | ENG. | DATE | TITLE: DPM05 |
| | CHK'D. | DATE | BOARD LOCATION: AC2 | SHEET 1 OF | DATA PATH (19:16) |
| FIRST USED ON OPTION/MODEL: 11/750 | | NEXT HIGHER ASSEMBLY: B-DD-L0002-0-0 | | SIZE CODE D CS | NUMBER L0002-0-5 |
| | | | | REV. B | |

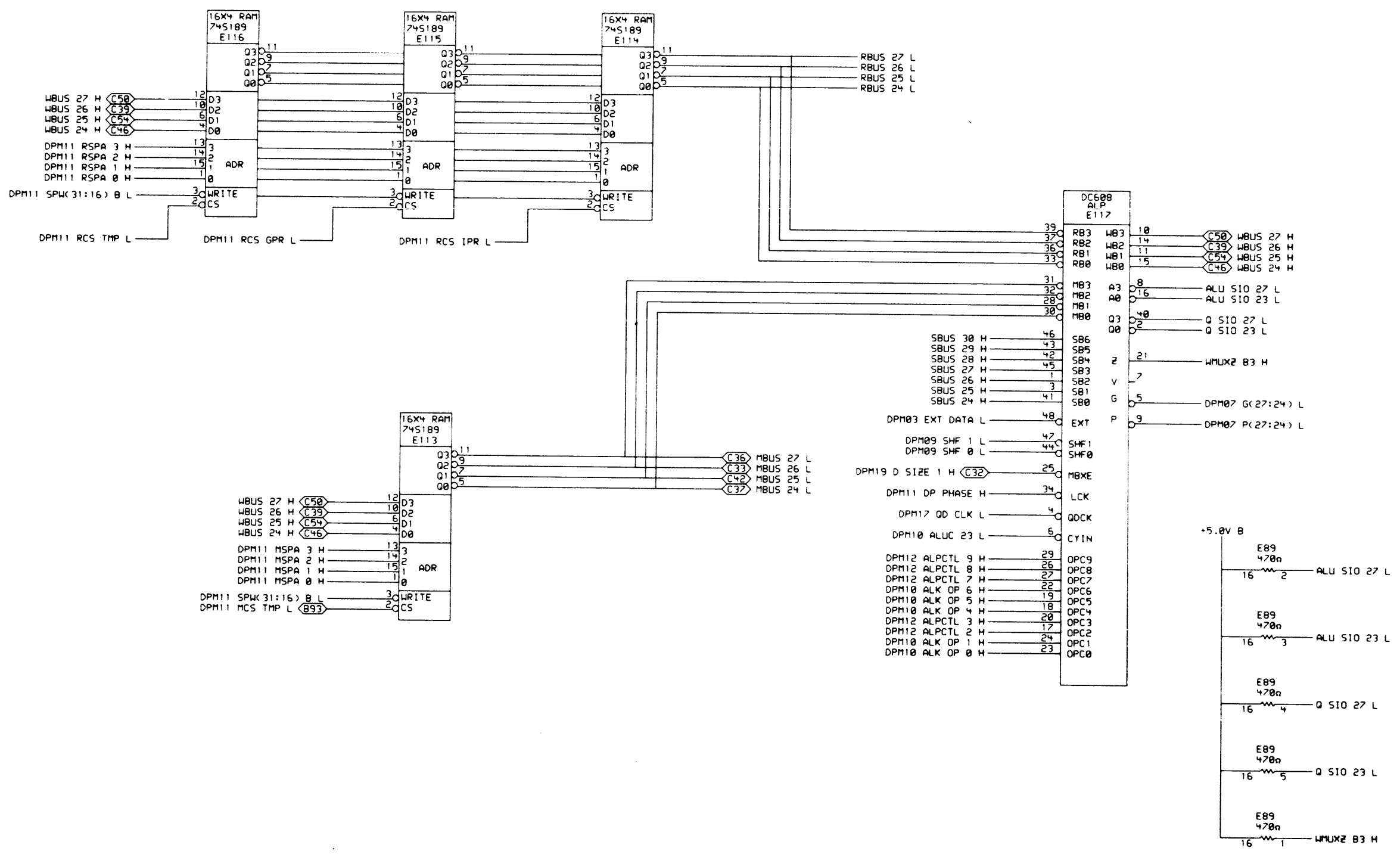


THIS DRAWING AND SPECIFICATIONS ARE THE PROPERTY OF DIGITAL EQUIPMENT CORPORATION AND SHALL NOT BE REPRODUCED OR COPIED OR USED IN WHOLE OR IN PART AS THE BASIS FOR THE MANUFACTURE OR SALE OF ITEMS WITHOUT WRITTEN PERMISSION. COPYRIGHT © 1980, DIGITAL EQUIPMENT CORPORATION.

| REVISIONS | | |
|-----------|------------|-----|
| CHK | CHANGE NO. | REV |
| | | |

digital DRN. *A. P. P. P.* DATE ENG. DATE TITLE: DPM06 DATA PATH (23:20)
 CHK'D. DATE BOARD LOCATION: AC2
 [160,127] DPM06.DRW 17-FEB-80 14:43 NEXT HIGHER ASSEMBLY: SHEET OF 1
 FIRST USED ON OPTION/MODEL: 11/750 B-DD-L0002-0-0

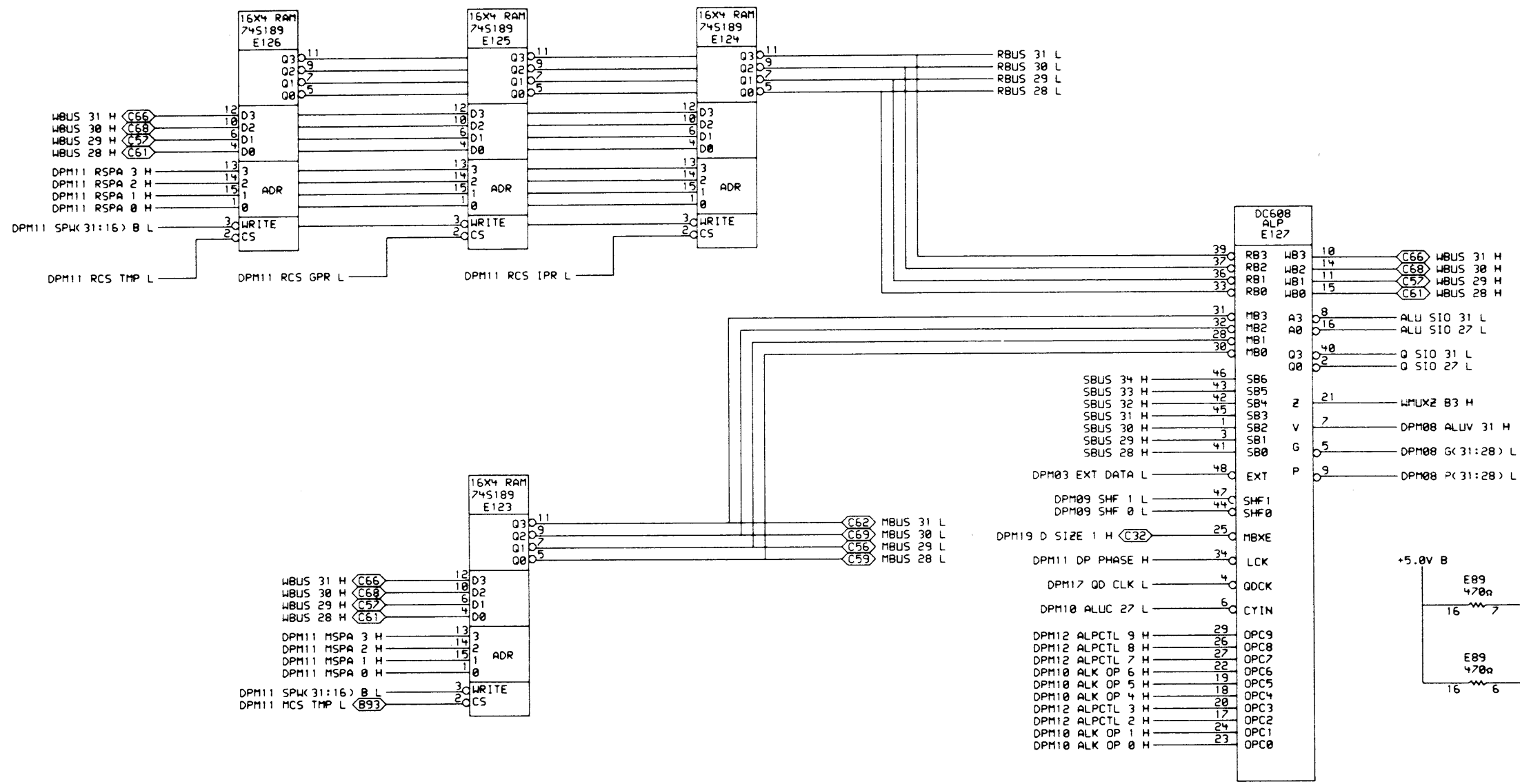
| SIZE | CODE | NUMBER | REV. |
|------|------|-----------|------|
| D | CS | L0002-0-6 | B |



ALL PARTS DRAWING AND SPECIFICATIONS HEREIN ARE THE PROPERTY OF DIGITAL EQUIPMENT CORPORATION AND SHALL NOT BE REPRODUCED OR COPIED IN WHOLE OR IN PART AS THE BASIS FOR THE MANUFACTURE OR SALE OF ITEMS WITHOUT WRITTEN PERMISSION. COPYRIGHT © 1980. DIGITAL EQUIPMENT CORPORATION

| REVISIONS | |
|-----------|-----------------|
| CHK | CHANGE NO. REV. |
| | |

| | | | | | |
|------------------------------------|----------------------|--------------------------------------|---------------------|----------------|-------------------|
| digital | DRN. <i>A. Perna</i> | DATE 26-7-80 | ENG. | DATE | TITLE: DPM07 |
| | CHK'D. | DATE | BOARD LOCATION: AC2 | SHEET 1 OF 1 | DATA PATH (27:24) |
| FIRST USED ON OPTION/MODEL: 11/250 | | NEXT HIGHER ASSEMBLY: B-DD-L0002-0-0 | | SIZE CODE D CS | NUMBER L0002-0-7 |
| REV. B | | | | | |

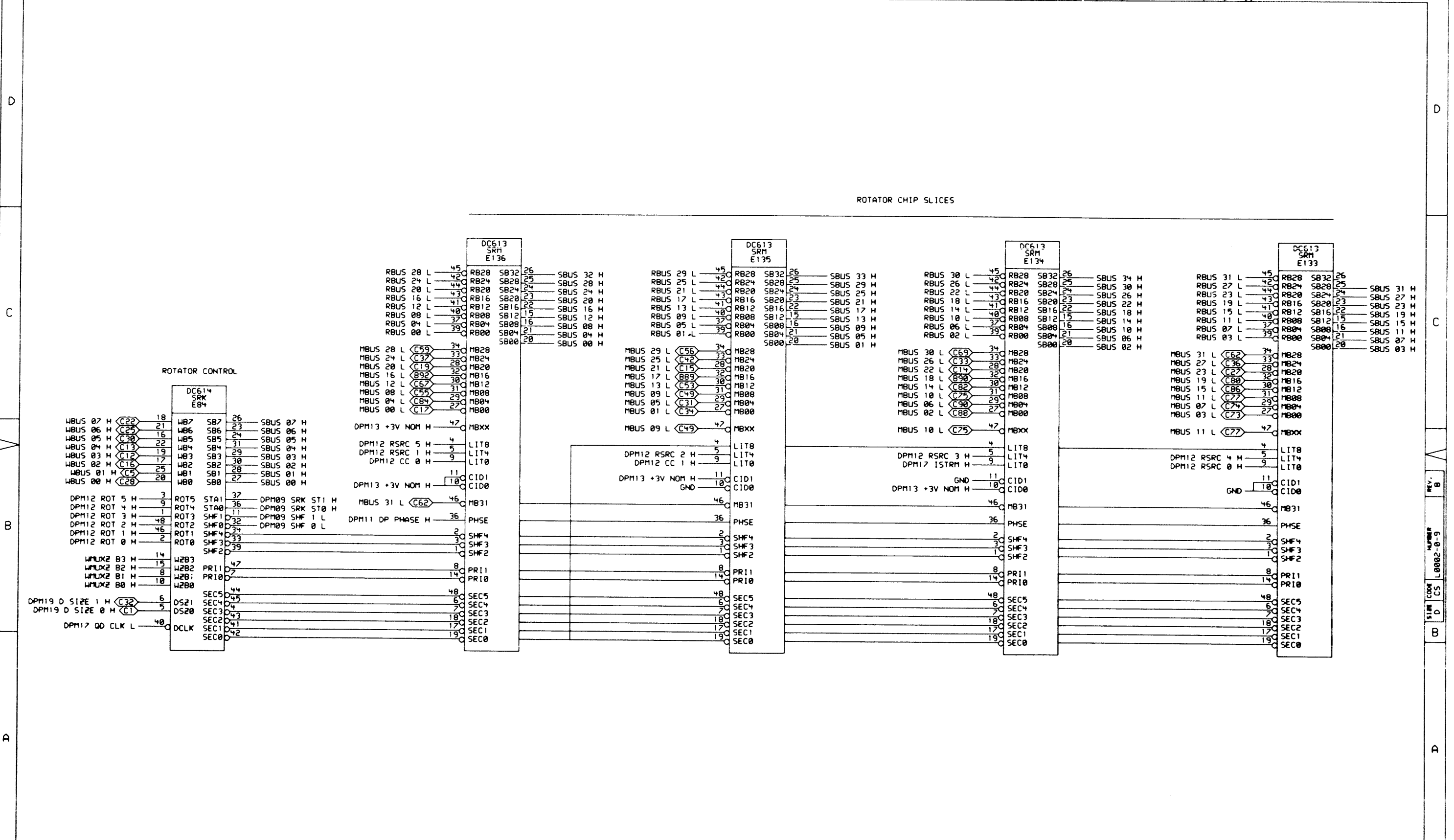


THIS DRAWING AND SPECIFICATIONS ARE THE PROPERTY OF DIGITAL EQUIPMENT CORPORATION AND SHALL NOT BE REPRODUCED OR COPIED OR USED IN WHOLE OR IN PART AS THE BASIS FOR THE MANUFACTURE OR SALE OF ITEMS WITHOUT WRITTEN PERMISSION. COPYRIGHT © 1980 DIGITAL EQUIPMENT CORPORATION.

| REVISIONS | | |
|-----------|------------|-----|
| CHK | CHANGE NO. | REV |
| | | |

| | | | | | |
|------------------------------------|----------------|--------------------------------------|---------------------|--------------|--|
| digital | DRN. A. Peoria | DATE 26-MAR-80 | ENG. | DATE | TITLE: DPM08 DATA PATH (31:28) |
| | CHK'D. | DATE | BOARD LOCATION: AC2 | SHEET 1 OF 1 | SIZE CODE NUMBER REV. D CS L0002-0-8 B |
| FIRST USED ON OPTION/MODEL: 11/750 | | NEXT HIGHER ASSEMBLY: B-DD-L0002-0-0 | | | |

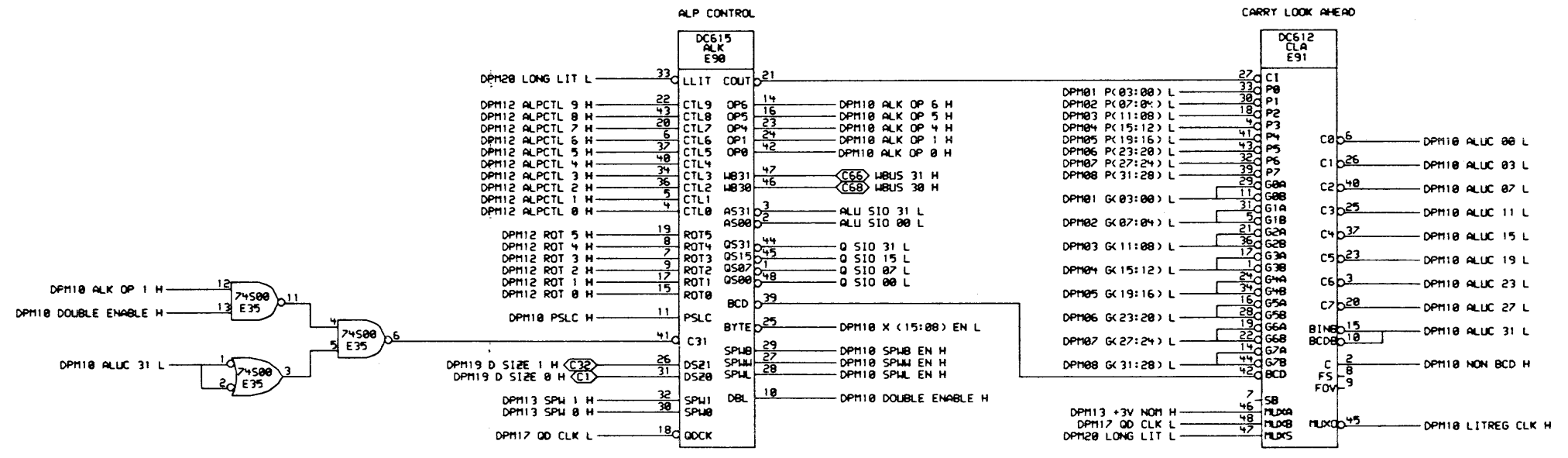
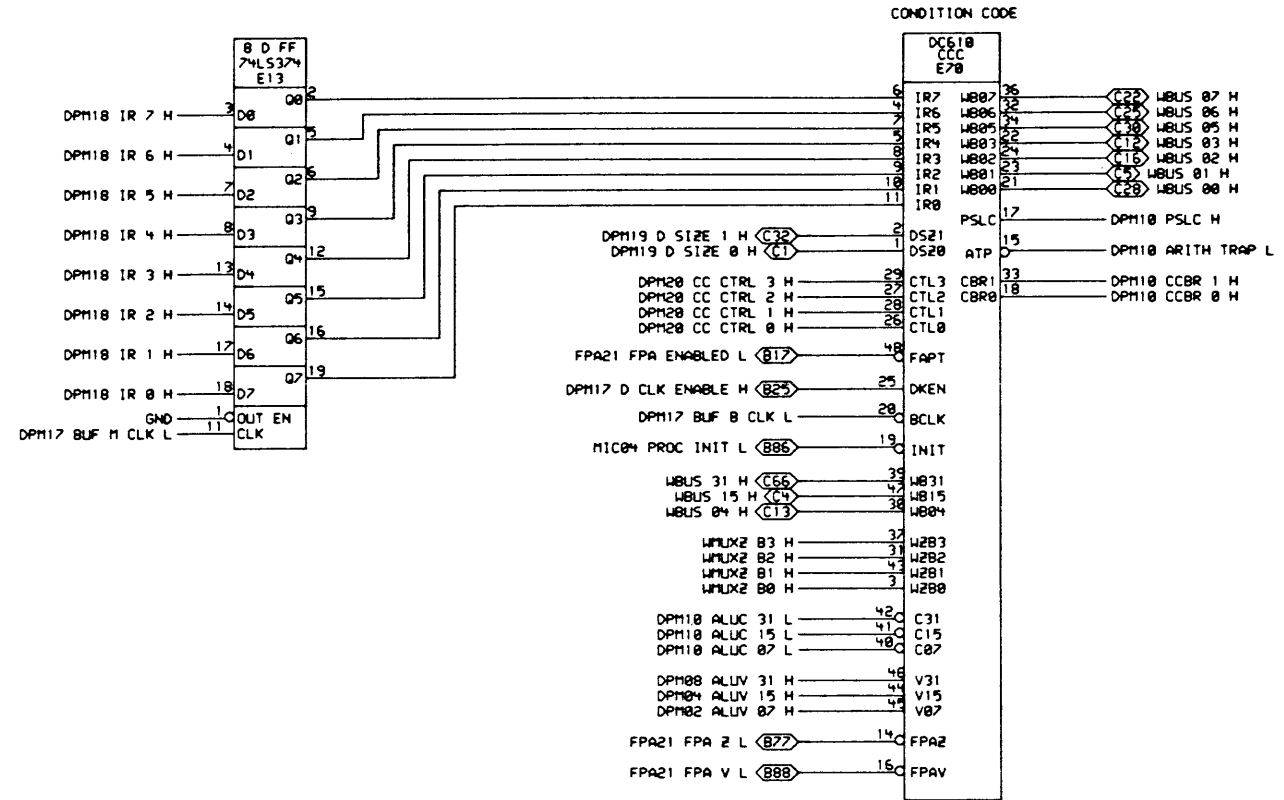
ROTATOR CHIP SLICES



THIS DRAWING AND SPECIFICATIONS
 HEREIN ARE THE PROPERTY OF
 DIGITAL EQUIPMENT CORPORATION AND
 SHALL NOT BE REPRODUCED OR COPIED
 OR USED IN WHOLE OR IN PART AS
 THE BASIS FOR THE MANUFACTURE OR
 SALE OF ITEMS WITHOUT WRITTEN
 PERMISSION. COPYRIGHT © 1980,
 DIGITAL EQUIPMENT CORPORATION

| REVISIONS | | |
|-----------|------------|-----|
| CHK | CHANGE NO. | REV |
| | | |

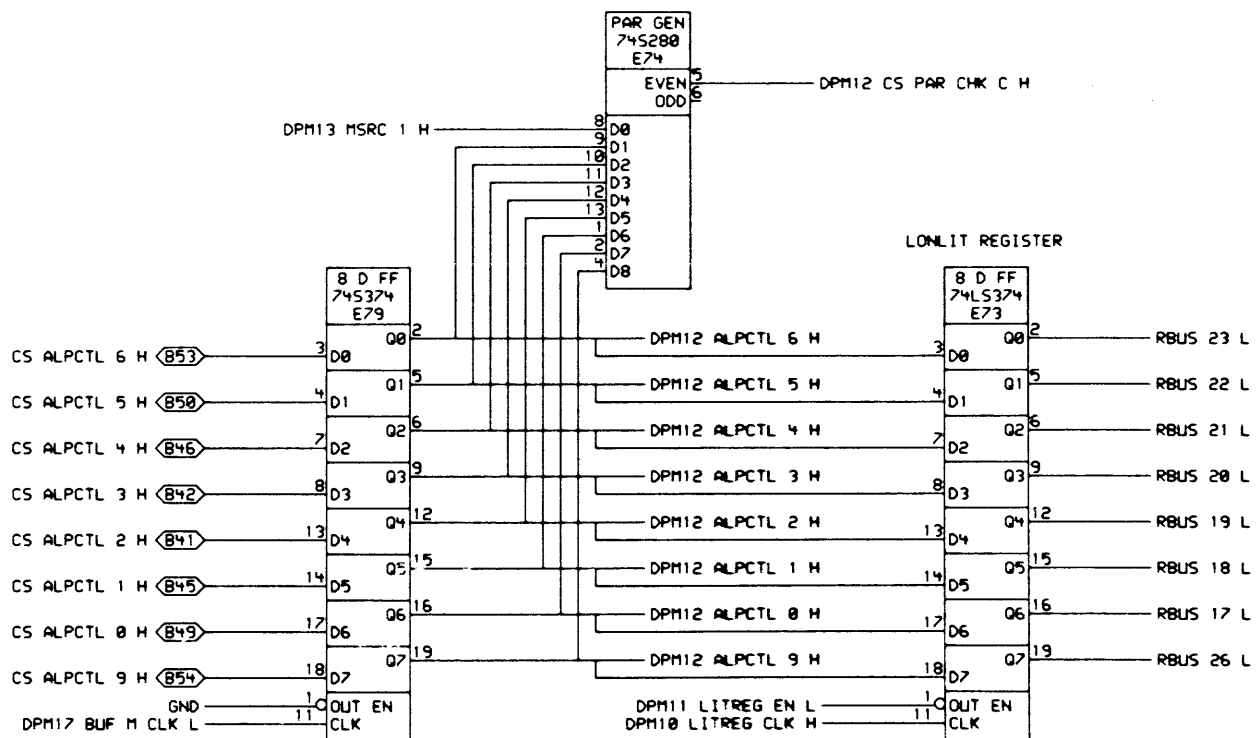
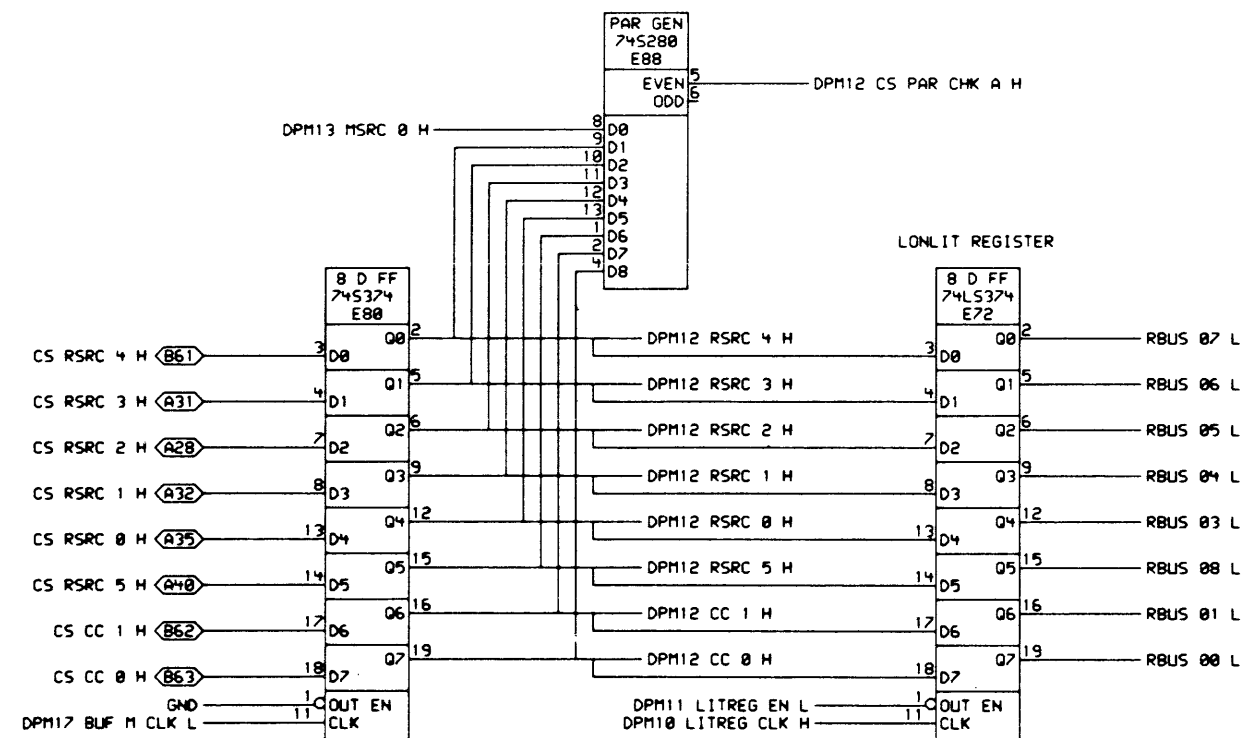
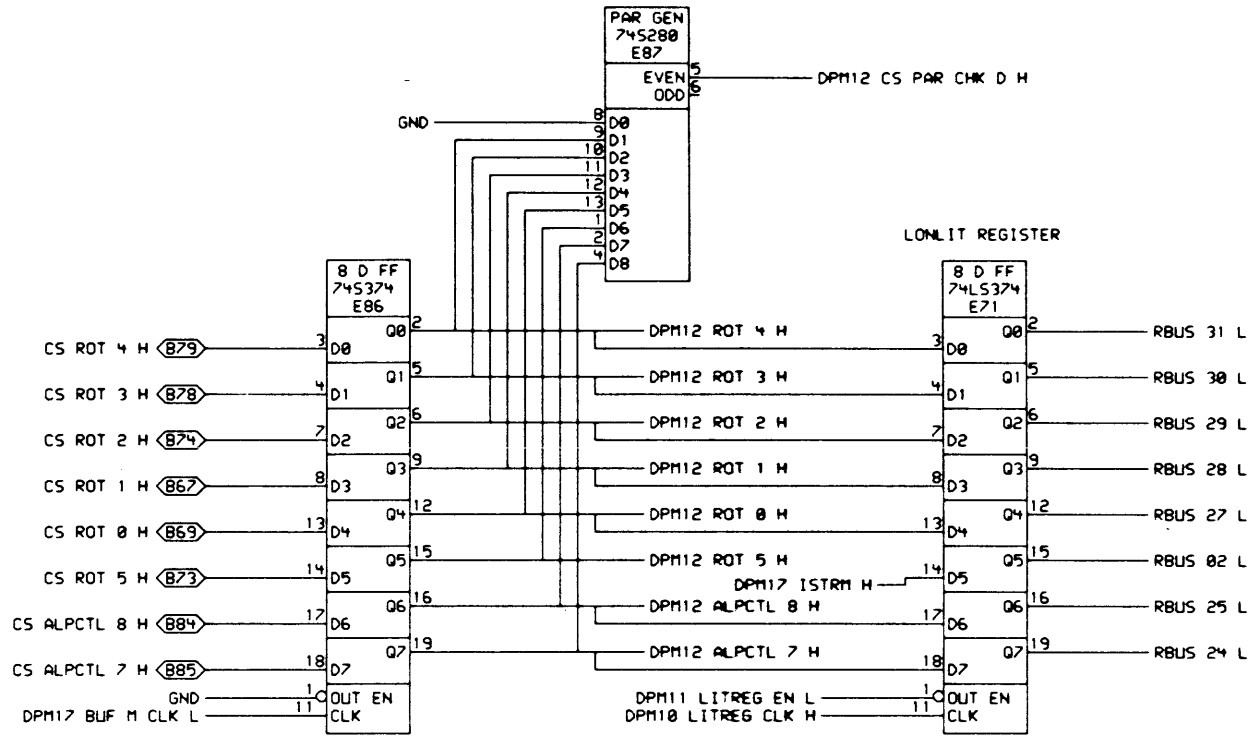
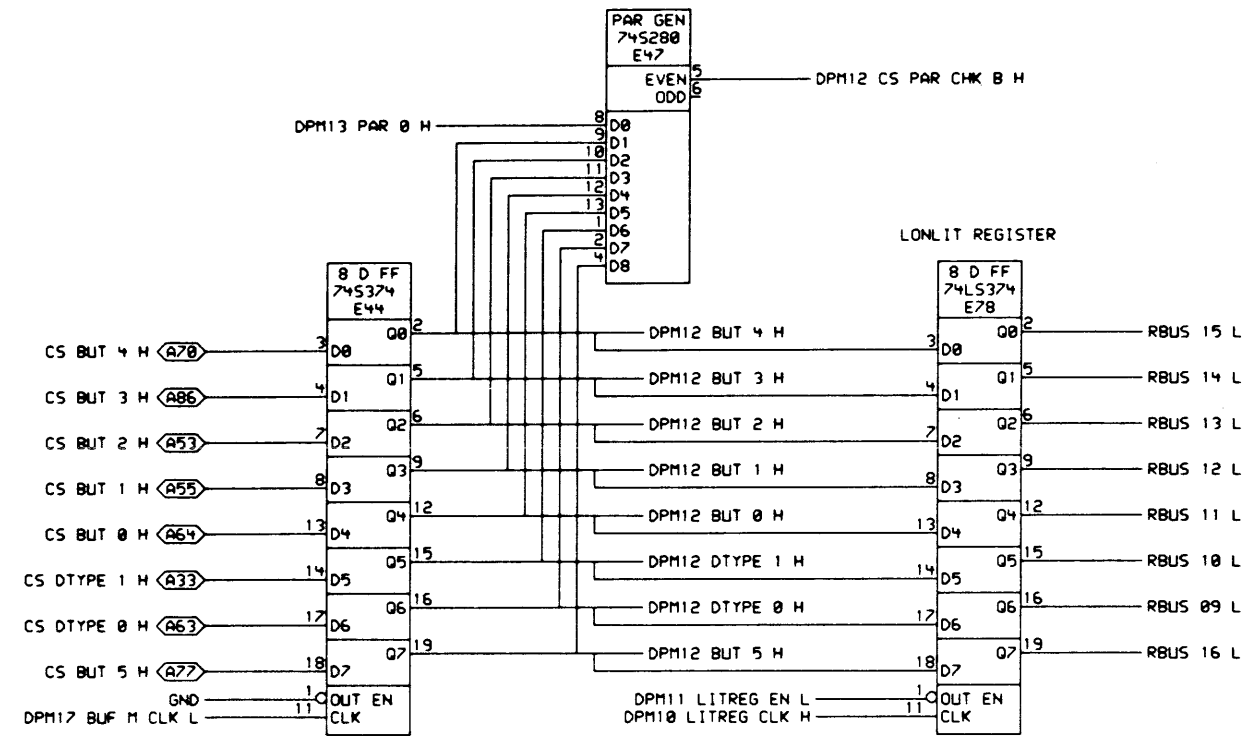
| | | | | | |
|------------------------------------|---------------|----------------|--------------------------------------|-------|----------------------------|
| digital | DRN. A. P. P. | DATE 26-MAR-80 | ENG. | DATE | TITLE: DPM09 ROTATOR LOGIC |
| | CHK'D. | DATE | BOARD LOCATION: AC2 | SHEET | OF 1 |
| FIRST USED ON OPTION/MODEL: 11/750 | | | NEXT HIGHER ASSEMBLY: B-DD-L0002-0-0 | | SIZE CODE D CS L0002-0-9 |
| | | | | | NUMBER B |



THIS DRAWING AND SPECIFICATIONS HEREIN ARE THE PROPERTY OF DIGITAL EQUIPMENT CORPORATION AND SHALL NOT BE REPRODUCED OR COPIED OR USED IN WHOLE OR IN PART AS THE BASIS FOR THE MANUFACTURE OR SALE OF ITEMS WITHOUT WRITTEN PERMISSION. COPYRIGHT © 1989, DIGITAL EQUIPMENT CORPORATION.

| REV. | CHANGE NO. | REV. |
|------|------------|------|
| | | |

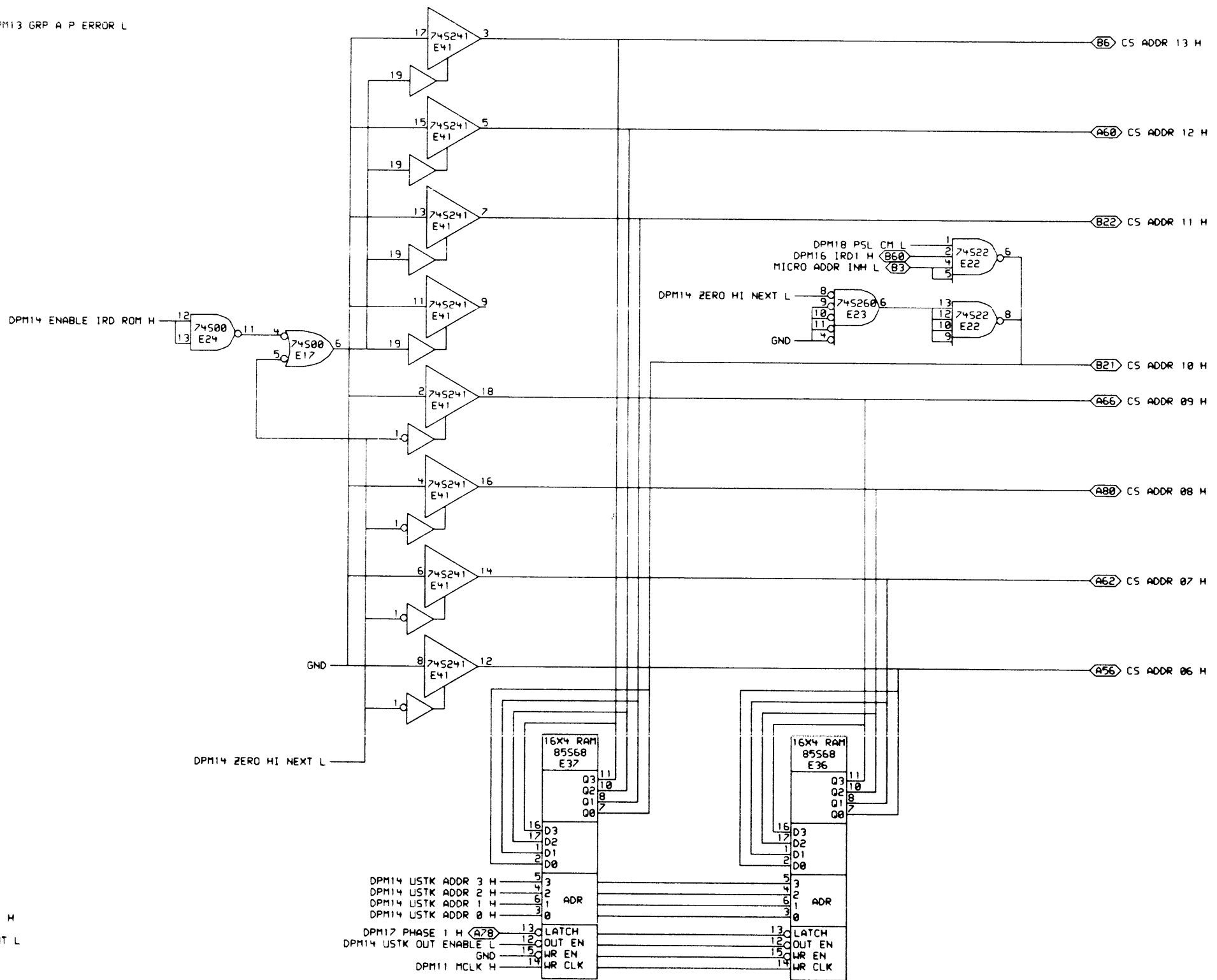
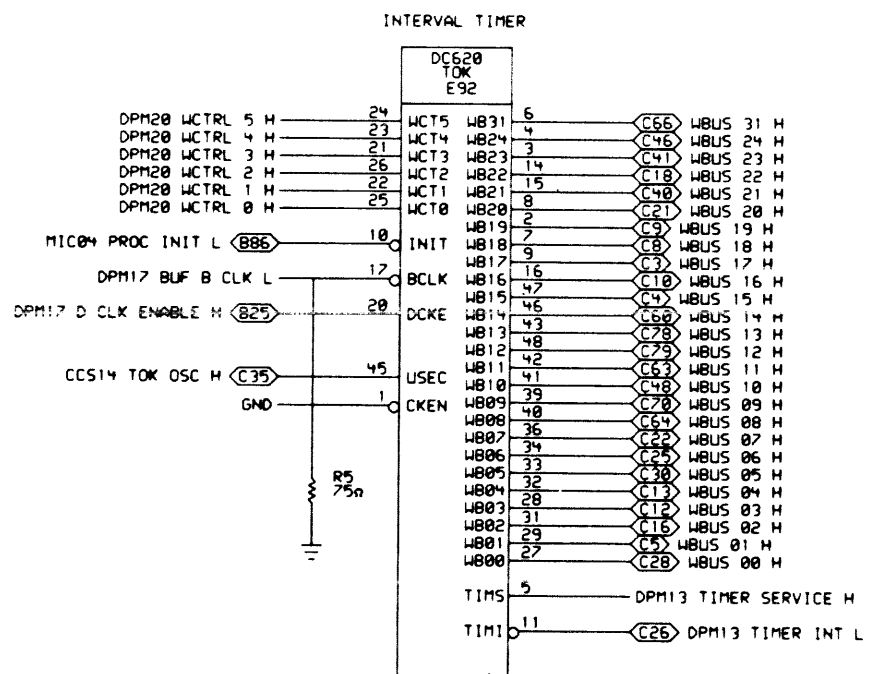
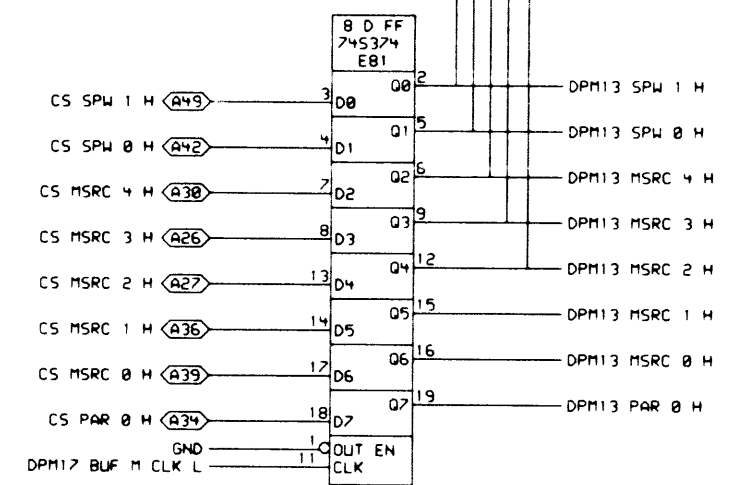
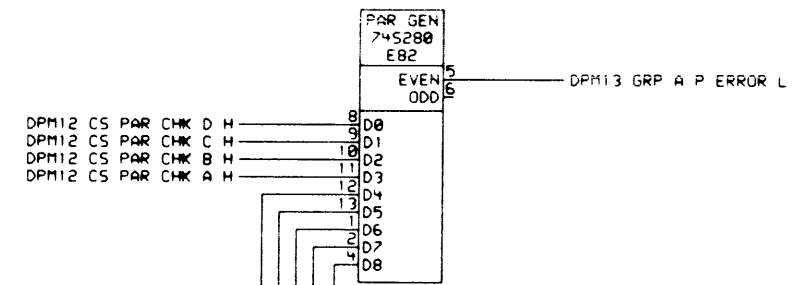
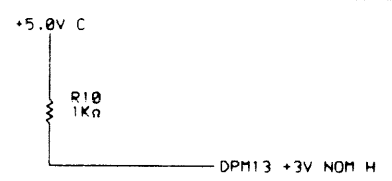
| | | | | | |
|------------------------------------|-----------------|--------------------------------------|---------------------|--------------|-----------------------------|
| digital | DRN. A. Pizzani | DATE 09-SEP-88 | ENG. | DATE | TITLE: DPM10 ALK, CLA & CCC |
| | CHK'D. | DATE 25-AUG-88 11:01 | BOARD LOCATION: AC2 | SHEET 1 OF 1 | NUMBER L0002-0-10 |
| FIRST USED ON OPTION/MODEL: 11/750 | | NEXT HIGHER ASSEMBLY: B-DD-L0002-0-0 | | SIZE D | CODE CS |



THIS DRAWING AND SPECIFICATIONS ARE THE PROPERTY OF DIGITAL EQUIPMENT CORPORATION AND SHALL NOT BE REPRODUCED OR COPIED OR USED IN WHOLE OR IN PART AS THE BASIS FOR THE MANUFACTURE OR SALE OF ITEMS WITHOUT WRITTEN PERMISSION. COPYRIGHT © 1988 DIGITAL EQUIPMENT CORPORATION.

| REVISIONS | | |
|-----------|------------|-----|
| CHK | CHANGE NO. | REV |
| | | |

| | | | | |
|------------------------------------|---------------|--------------------------------------|--------------|---|
| digital | DRN. A. P. P. | DATE ENG. 25-MAR-88 | DATE | TITLE: DPM12 CS LATCH, LITREG |
| | CHK'D. | DATE BOARD LOCATION: AC2 | SHEET 1 OF 1 | SIZE CODE NUMBER REV. D CS L0002-0-12 B |
| FIRST USED ON OPTION/MODEL: 11/750 | | NEXT HIGHER ASSEMBLY: B-DD-L0002-0-0 | | |



UNLESS OTHERWISE SPECIFIED, ALL DIMENSIONS AND SPECIFICATIONS ARE IN MILLIMETERS. THE PROPERTY OF DIGITAL EQUIPMENT CORPORATION AND SHALL NOT BE REPRODUCED OR COPIED IN ANY MANNER WITHOUT THE WRITTEN PERMISSION OF DIGITAL EQUIPMENT CORPORATION. COPYRIGHT © 1980.

| REV. | DESCRIPTION | DATE |
|------|-------------|--------|
| B | REVISED | 11/750 |

| REV. | DESCRIPTION | DATE |
|------|-------------|--------|
| B | REVISED | 11/750 |

| REV. | DESCRIPTION | DATE |
|------|-------------|--------|
| B | REVISED | 11/750 |

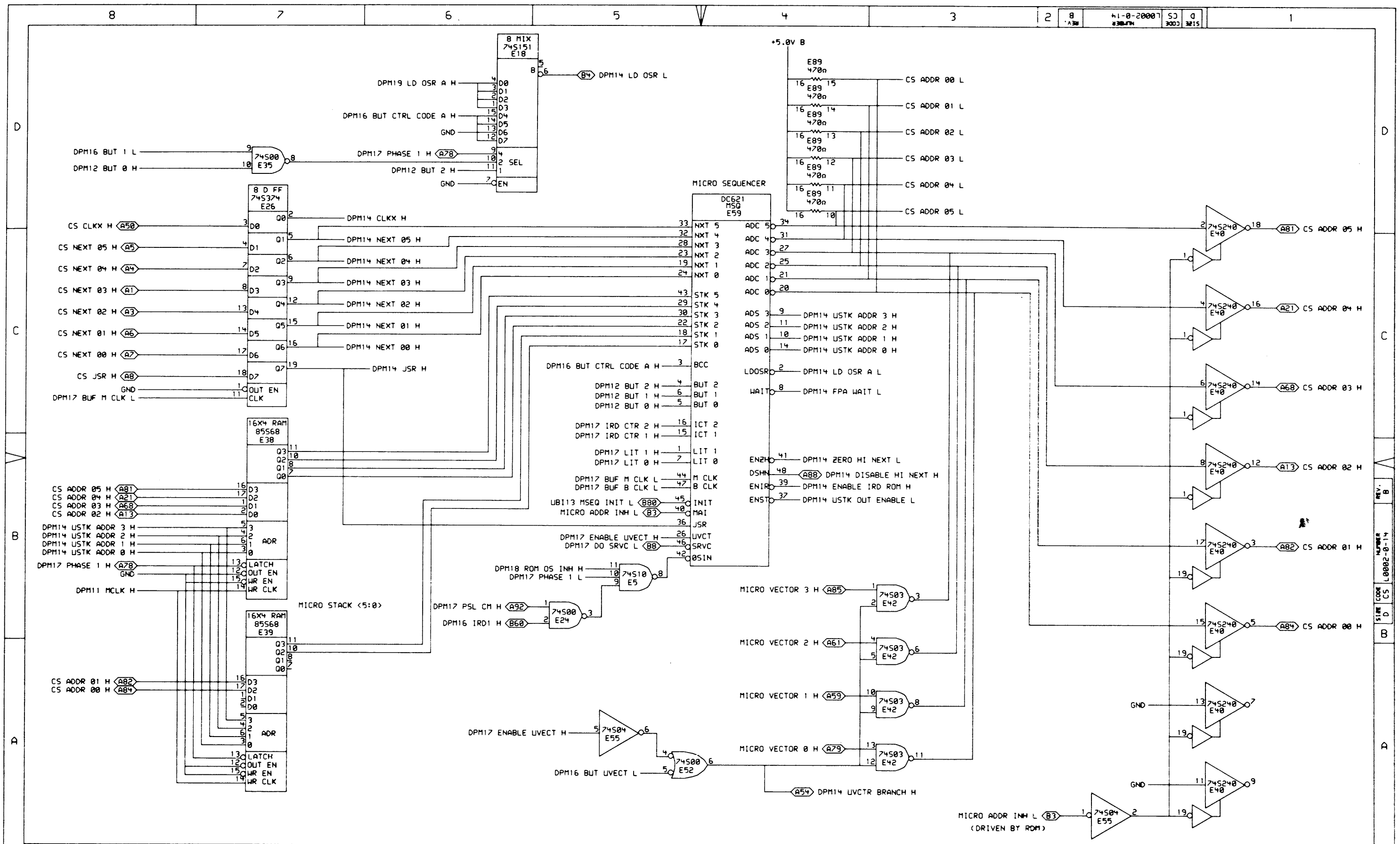
| REV. | DESCRIPTION | DATE |
|------|-------------|--------|
| B | REVISED | 11/750 |

| REV. | DESCRIPTION | DATE |
|------|-------------|--------|
| B | REVISED | 11/750 |

| REV. | DESCRIPTION | DATE |
|------|-------------|--------|
| B | REVISED | 11/750 |

| REV. | DESCRIPTION | DATE |
|------|-------------|--------|
| B | REVISED | 11/750 |

| REV. | DESCRIPTION | DATE |
|------|-------------|--------|
| B | REVISED | 11/750 |



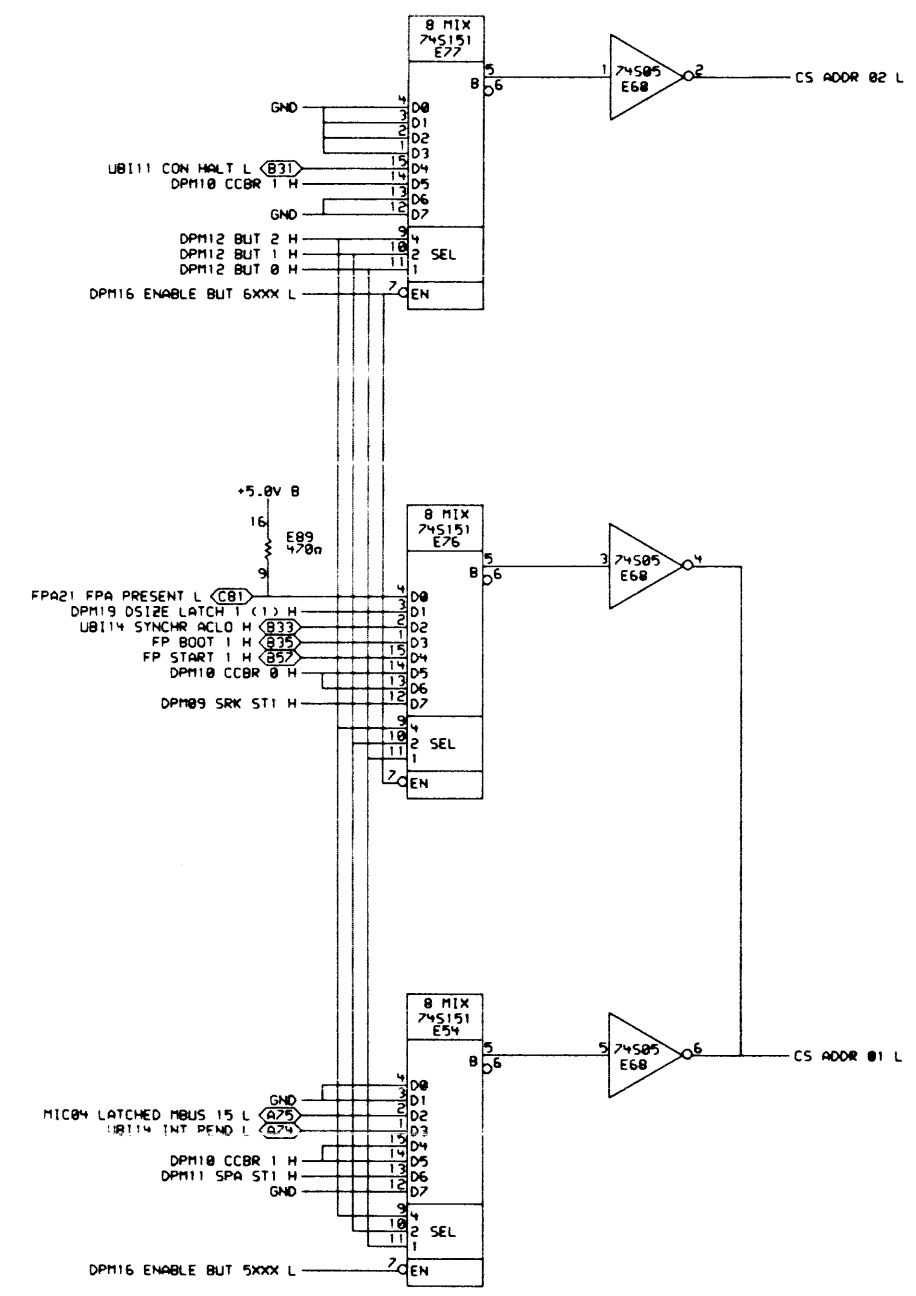
| REV. | DATE | BY | DESCRIPTION |
|------|-------|----|----------------|
| 1 | 11/75 | | INITIAL DESIGN |
| 2 | 12/75 | | REVISIONS |

| CHK | CHANGE NO. | REV |
|-----|------------|-----|
| | | |

| | | | | | |
|------------------------------------|----------------|----------------------|---------------------|--------------|---|
| digital | DRN. A. P. ... | DATE 26-7-80 | ENG. | DATE | TITLE: DPM14 LO CONTROL STORE ADD |
| CHK'D. | | DATE 17-FEB-80 14:55 | BOARD LOCATION: AC2 | SHEET 1 OF 1 | SIZE CODE NUMBER REV. D CS L0002-0-14 B |
| FIRST USED ON OPTION/MODEL: 11/750 | | B-DD-L0002-0-0 | | | |

D
C
B
A

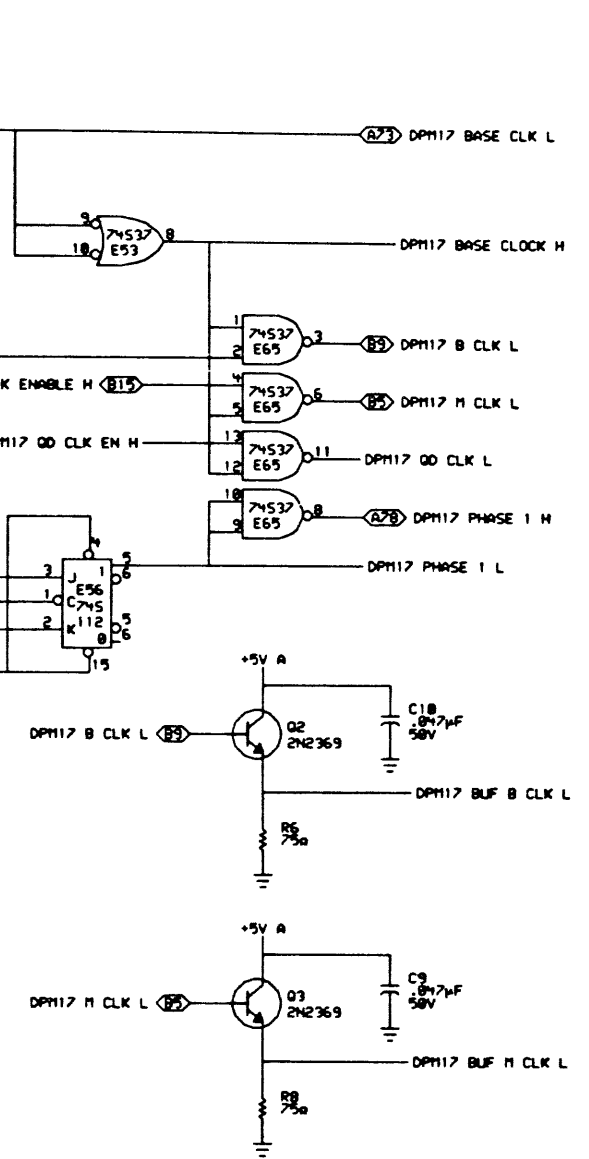
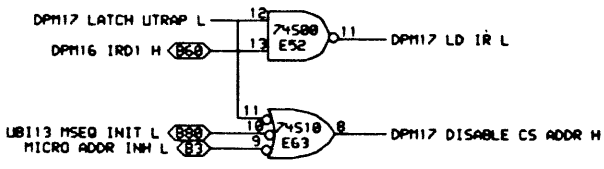
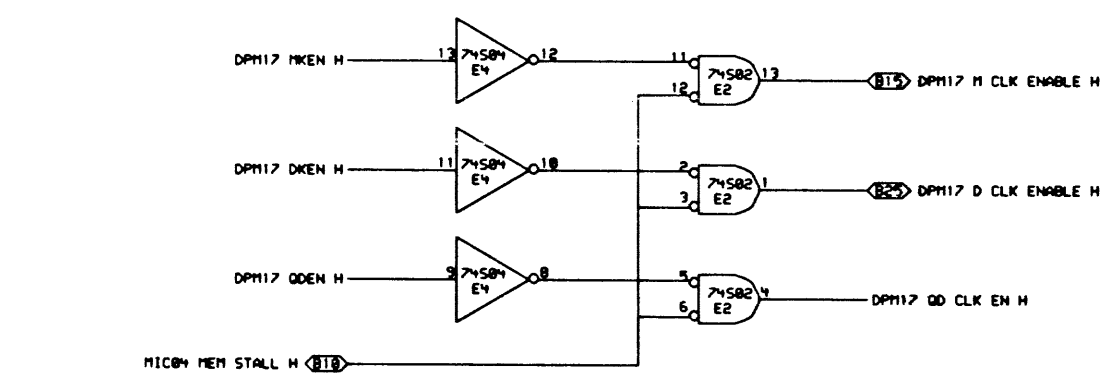
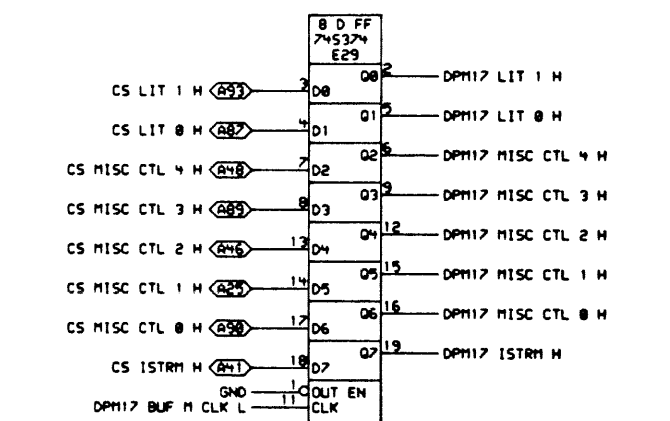
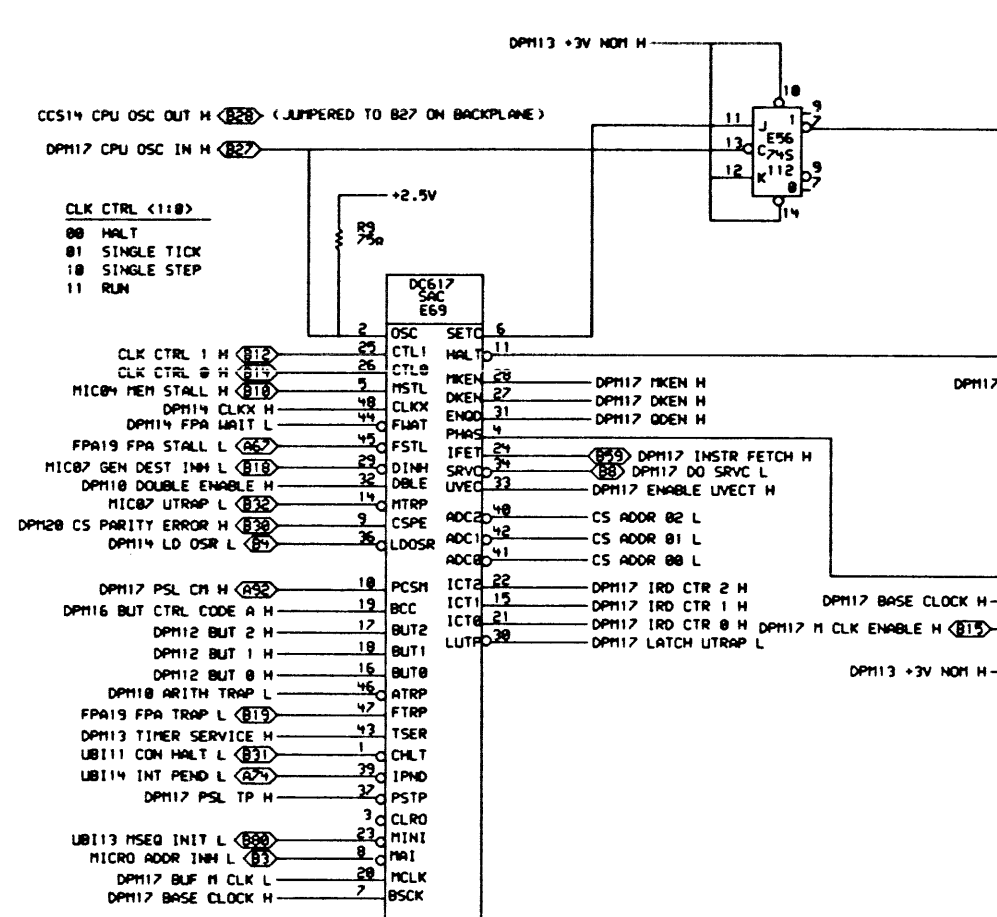
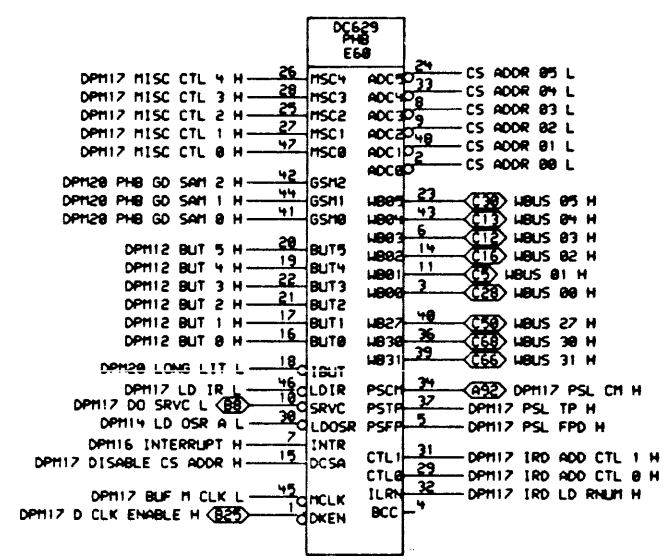
D
C
B
A



THIS DRAWING AND SPECIFICATIONS
HEREIN ARE THE PROPERTY OF
DIGITAL EQUIPMENT CORPORATION AND
SHALL NOT BE REPRODUCED OR COPIED
FOR USE IN WHOLE OR IN PART AS
THE BASIS FOR THE MANUFACTURE OR
SALE OF ITEMS WITHOUT WRITTEN
PERMISSION. COPYRIGHT © 1988
DIGITAL EQUIPMENT CORPORATION.

| REVISIONS | |
|-----------|----------------|
| CHK | CHANGE NO. REV |
| | |

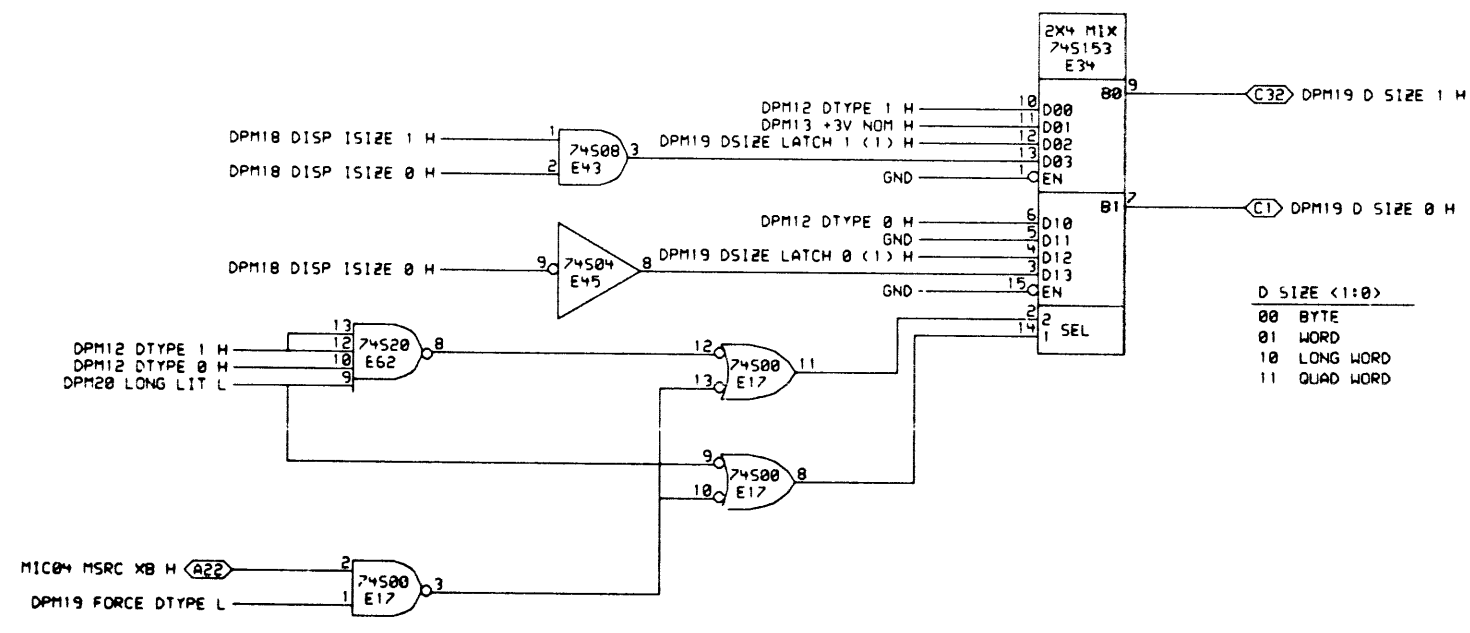
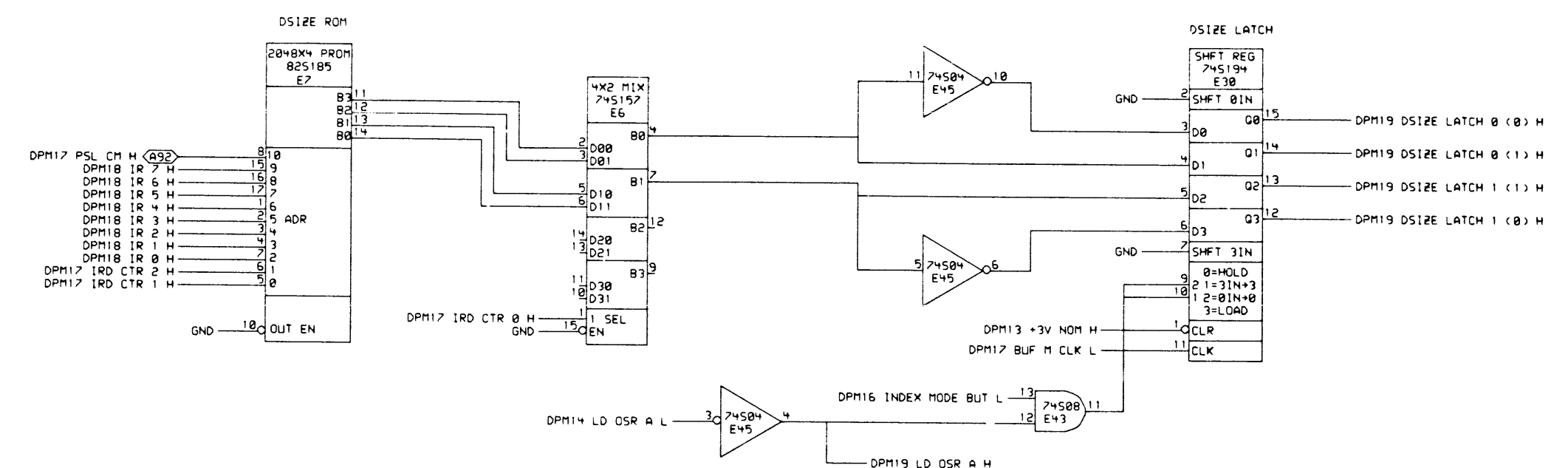
| | | | | | |
|------------------------------------|---------------|--------------------------------------|---------------------|----------------|------------------------------|
| digital | DRN. A. P. P. | DATE 09-SEP-88 | ENG. | DATE | TITLE: DPM15 LOW BRANCH BITS |
| | CHK'D. | DATE 25-AUG-88 11:13 | BOARD LOCATION: ACR | SHEET 1 OF 1 | |
| FIRST USED ON OPTION/MODEL: 11/750 | | NEXT HIGHER ASSEMBLY: B-DD-L0002-0-0 | | SIZE CODE D CS | NUMBER L0002-0-15 |
| | | | | REV. C | |



THIS DRAWING AND SPECIFICATIONS ARE THE PROPERTY OF DIGITAL EQUIPMENT CORPORATION AND SHALL NOT BE REPRODUCED OR COPIED OR USED IN WHOLE OR IN PART AS THE BASIS FOR THE MANUFACTURE OF ANY ITEMS WITHOUT WRITTEN PERMISSION. COPYRIGHT © 1988, DIGITAL EQUIPMENT CORPORATION.

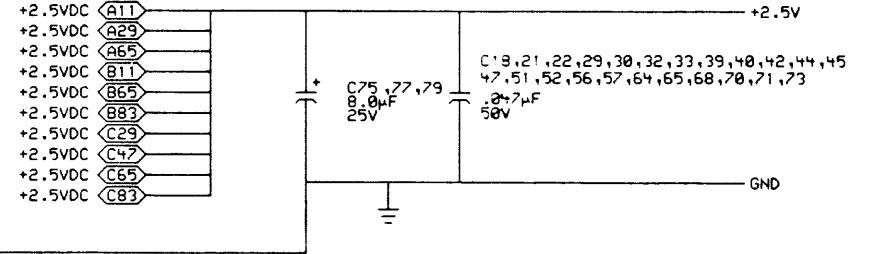
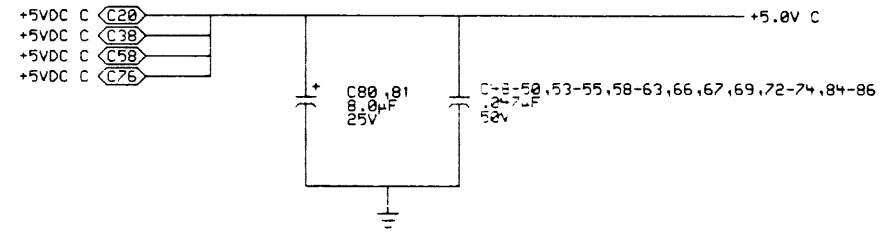
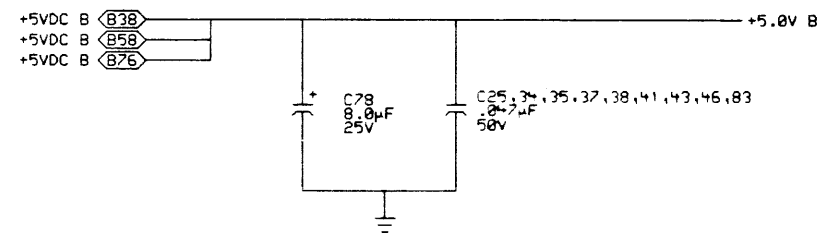
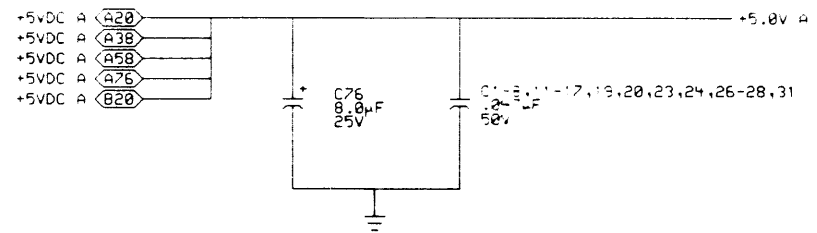
| REV. | CHG | CHANGE NO. | REV. |
|------|-----|------------|------|
| | | | |

| | | | | |
|------------------------------------|-----------------------|---------------------|----------------|------------------------|
| DRN. A. Roman | DATE 09-SEP-88 | ENG. | DATE | TITLE: DPH17 SYS CLOCK |
| CHK'D. | DATE 125-AUG-88 11:29 | BOARD LOCATION: AC2 | SIZE CODE D CS | NUMBER L0002-0-17 |
| FIRST USED ON OPTION/MODEL: 11/750 | | B-DD-L0002-0-0 | | REV. C |

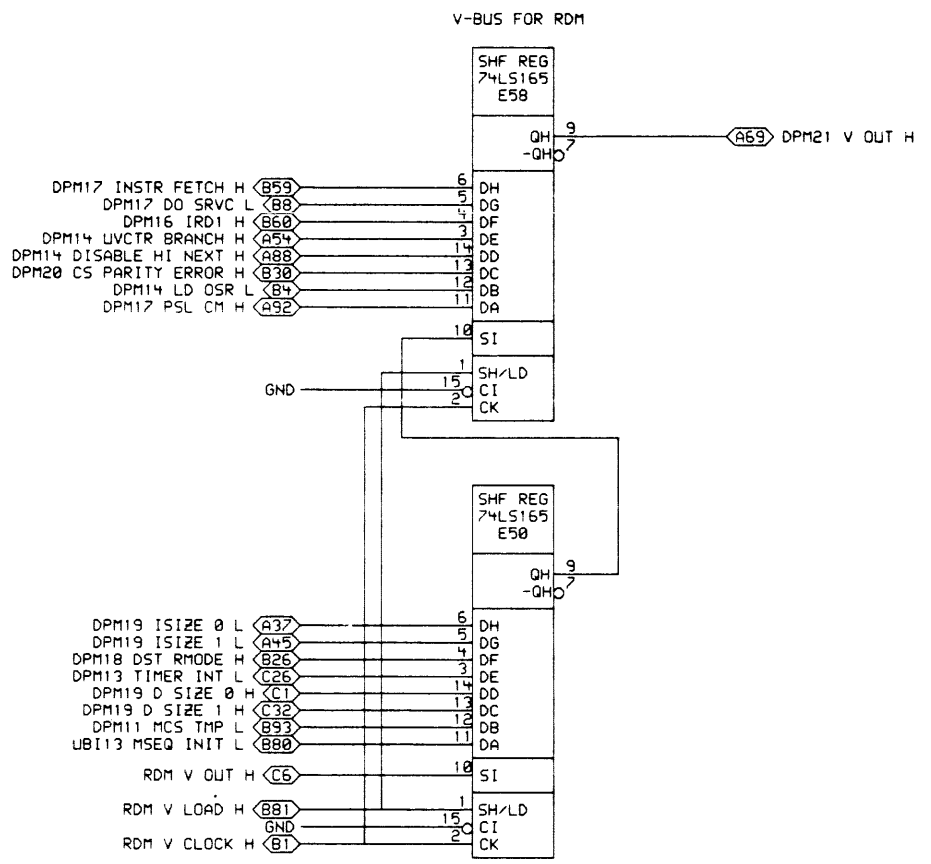


| REV. | CHG. | NO. | REV. |
|------|------|-----|------|
| | | | |

| | | | | | |
|------------------------------------|-------------|--------------------------------------|---------------------|----------------|----------------------------|
| digital | DRN. 117000 | DATE 19-FEB-82 | ENG. | DATE | TITLE: DPM19 DSIZE & ISIZE |
| | CHK'D. | DATE 11-7-80 | BOARD LOCATION: AC2 | SHEET | OF |
| FIRST USED ON OPTION/MODEL: 117750 | | NEXT HIGHER ASSEMBLY: 8-DD-L0002-0-0 | | SIZE CODE D CS | NUMBER L0002-0-19 |



- GND (A23)
- GND (A24)
- GND (A43)
- GND (A44)
- GND (A51)
- GND (A52)
- GND (A71)
- GND (A72)
- GND (B23)
- GND (B24)
- GND (B43)
- GND (B44)
- GND (B51)
- GND (B52)
- GND (B71)
- GND (B72)
- GND (C23)
- GND (C24)
- GND (C43)
- GND (C44)
- GND (C51)
- GND (C52)
- GND (C71)
- GND (C72)



THIS DRAWING AND SPECIFICATIONS HEREIN ARE THE PROPERTY OF DIGITAL EQUIPMENT CORPORATION AND SHALL NOT BE REPRODUCED OR COPIED OR USED IN WHOLE OR IN PART AS THE BASIS FOR THE MANUFACTURE OR SALE OF ITEMS WITHOUT WRITTEN PERMISSION. COPYRIGHT © 1981, DIGITAL EQUIPMENT CORPORATION.

| REVISIONS | |
|-----------|----------------|
| CHK | CHANGE NO. REV |
| | |

| | | | | | |
|--|------------------------|----------------|---------------------|--------------|-----------------------------|
| digital | DRN. <i>M. Hammond</i> | DATE 17-MAY-83 | ENG. | DATE | TITLE: DPM21 VISIBILITY BUS |
| | CHK'D. | DATE | BOARD LOCATION: AC2 | SHEET 1 OF 1 | NUMBER L0002-0-21 |
| DSKD: (203,2001) DPM21.DRW 117-MAY-83 11:05 NEXT HIGHER ASSEMBLY: B-DD-L0002-0-0 | | | | | REV. C |

| SIGNAL NAME | PAGE NUMBER(S) |
|---------------------|----------------|
| ALU S10 00 L | 01,10 |
| ALU S10 03 L | 01,02 |
| ALU S10 07 L | 03,02 |
| ALU S10 11 L | 03,04 |
| ALU S10 15 L | 05,04 |
| ALU S10 19 L | 05,06 |
| ALU S10 23 L | 07,06 |
| ALU S10 27 L | 07,08 |
| ALU S10 31 L | 08,10 |
| CCS14 CPU OSC OUT H | 17 |
| CCS14 TOK OSC H | 13 |
| CLK CTRL 0 H | 17 |
| CLK CTRL 1 H | 17 |
| CS ADDR 00 H | 14 |
| CS ADDR 00 L | 18,14,17,16 |
| CS ADDR 01 H | 14 |
| CS ADDR 01 L | 18,14,17,15 |
| CS ADDR 02 H | 14 |
| CS ADDR 02 L | 18,14,17,15 |
| CS ADDR 03 H | 14 |
| CS ADDR 03 L | 18,14,17 |
| CS ADDR 04 H | 14 |
| CS ADDR 04 L | 18,14,17 |
| CS ADDR 05 H | 14 |
| CS ADDR 05 L | 18,14,17 |
| CS ADDR 06 H | 18,13 |
| CS ADDR 07 H | 18,13 |
| CS ADDR 08 H | 18,13 |
| CS ADDR 09 H | 18,13 |
| CS ADDR 10 H | 18,13 |
| CS ADDR 11 H | 13 |
| CS ADDR 12 H | 13 |
| CS ADDR 13 H | 13 |
| CS ALPCTL 0 H | 12 |
| CS ALPCTL 1 H | 12 |
| CS ALPCTL 2 H | 12 |
| CS ALPCTL 3 H | 12 |
| CS ALPCTL 4 H | 12 |
| CS ALPCTL 5 H | 12 |
| CS ALPCTL 6 H | 12 |
| CS ALPCTL 7 H | 12 |
| CS ALPCTL 8 H | 12 |
| CS ALPCTL 9 H | 12 |
| CS BUT 0 H | 12 |
| CS BUT 1 H | 12 |
| CS BUT 2 H | 12 |
| CS BUT 3 H | 12 |
| CS BUT 4 H | 12 |
| CS BUT 5 H | 12 |
| CS CC 0 H | 12 |

| SIGNAL NAME | PAGE NUMBER(S) |
|------------------|----------------|
| CS CC 1 H | 12 |
| CS CLKX H | 14 |
| CS DTYPE 0 H | 12 |
| CS DTYPE 1 H | 12 |
| CS HNEXT PAR H | 20 |
| CS ISTRM H | 17 |
| CS JSR H | 14 |
| CS LIT 0 H | 17,20 |
| CS LIT 1 H | 17,20 |
| CS MISC CTL 0 H | 17 |
| CS MISC CTL 1 H | 17 |
| CS MISC CTL 2 H | 17 |
| CS MISC CTL 3 H | 17 |
| CS MISC CTL 4 H | 17 |
| CS MSRC 0 H | 13 |
| CS MSRC 1 H | 13 |
| CS MSRC 2 H | 13 |
| CS MSRC 3 H | 13 |
| CS MSRC 4 H | 13 |
| CS NEXT 00 H | 14 |
| CS NEXT 01 H | 14 |
| CS NEXT 02 H | 14 |
| CS NEXT 03 H | 14 |
| CS NEXT 04 H | 14 |
| CS NEXT 05 H | 14 |
| CS PAR 0 H | 13 |
| CS PAR 1 H | 20 |
| CS ROT 0 H | 12 |
| CS ROT 1 H | 12 |
| CS ROT 2 H | 12 |
| CS ROT 3 H | 12 |
| CS ROT 4 H | 12 |
| CS ROT 5 H | 12 |
| CS RSRC 0 H | 12 |
| CS RSRC 1 H | 12 |
| CS RSRC 2 H | 12 |
| CS RSRC 3 H | 12 |
| CS RSRC 4 H | 12 |
| CS RSRC 5 H | 12 |
| CS SPW 0 H | 13 |
| CS SPW 1 H | 13 |
| CS WCTRL 0 H | 20 |
| CS WCTRL 1 H | 20 |
| CS WCTRL 2 H | 20 |
| CS WCTRL 3 H | 20 |
| CS WCTRL 4 H | 20 |
| CS WCTRL 5 H | 20 |
| DPM01 G(03:00) L | 10,01 |
| DPM01 P(03:00) L | 10,01 |
| DPM02 ALUV 07 H | 10,02 |

| SIGNAL NAME | PAGE NUMBER(S) |
|-----------------------|-------------------------------|
| DPM02 G(07:04) L | 10,02 |
| DPM02 P(07:04) L | 10,02 |
| DPM03 EXT DATA L | 03,05,06,07,08,04 |
| DPM03 G(11:08) L | 10,03 |
| DPM03 P(11:08) L | 10,03 |
| DPM04 ALUV 15 H | 10,04 |
| DPM04 G(15:12) L | 10,04 |
| DPM04 P(15:12) L | 10,04 |
| DPM05 G(19:16) L | 10,05 |
| DPM05 P(19:16) L | 10,05 |
| DPM06 G(23:20) L | 10,06 |
| DPM06 P(23:20) L | 10,06 |
| DPM07 G(27:24) L | 10,07 |
| DPM07 P(27:24) L | 10,07 |
| DPM08 ALUV 31 H | 10,08 |
| DPM08 G(31:28) L | 10,08 |
| DPM08 P(31:28) L | 10,08 |
| DPM09 SHF 0 L | 09,05,01,06,02,07,03,08,04 |
| DPM09 SHF 1 L | 09,05,01,06,02,07,03,08,04 |
| DPM09 SRK 5T0 H | 16,09 |
| DPM09 SRK 5T1 H | 15,09 |
| DPM10 ALK OP 0 H | 10,05,01,06,02,07,03,08,04 |
| DPM10 ALK OP 1 H | 10,05,01,06,02,07,03,08,04 |
| DPM10 ALK OP 4 H | 10,05,01,06,02,07,03,08,04 |
| DPM10 ALK OP 5 H | 10,05,01,06,02,07,03,08,04 |
| DPM10 ALK OP 6 H | 10,05,01,06,02,07,03,08,04 |
| DPM10 ALUC 00 L | 10,01 |
| DPM10 ALUC 03 L | 10,02 |
| DPM10 ALUC 07 L | 10,03 |
| DPM10 ALUC 11 L | 10,04 |
| DPM10 ALUC 15 L | 10,05 |
| DPM10 ALUC 19 L | 10,06 |
| DPM10 ALUC 23 L | 10,07 |
| DPM10 ALUC 27 L | 10,08 |
| DPM10 ALUC 31 L | 10 |
| DPM10 ARITH TRAP L | 17,10 |
| DPM10 CCBR 0 H | 16,10,15 |
| DPM10 CCBR 1 H | 15,16,10 |
| DPM10 DOUBLE ENABLE H | 10,17 |
| DPM10 LITREG CLK H | 12,10 |
| DPM10 NON BCD H | 16,10 |
| DPM10 PSLC H | 16,10 |
| DPM10 SPWB EN H | 11,10 |
| DPM10 SPWL EN H | 11,10 |
| DPM10 SPWH EN H | 11,10 |
| DPM10 X(15:08) EN L | 10,03,04 |
| DPM11 DP PHASE H | 11,05,01,06,02,07,03,08,04,09 |
| DPM11 LITREG EN L | 12,11 |
| DPM11 MCLK H | 13,14,11 |
| DPM11 MCS TMP L | 21,11,05,01,06,02,07,03,08,04 |

NOTES:
 1. THIS PAGE LISTS THE SCHEMATIC PAGE NUMBER(S) WHERE A SIGNAL NAME IS REFERENCED.

THIS DRAWING AND SPECIFICATIONS ARE THE PROPERTY OF DIGITAL EQUIPMENT CORPORATION AND SHALL NOT BE REPRODUCED OR COPIED OR USED IN WHOLE OR IN PART AS THE BASIS FOR THE MANUFACTURE OR SALE OF ITEMS WITHOUT WRITTEN PERMISSION. COPYRIGHT © 1988 DIGITAL EQUIPMENT CORPORATION

| REVISIONS | | |
|-----------|------------|-----|
| CHK | CHANGE NO. | REV |
| | | |

| | | | | | |
|------------------------------------|--------------------|--------------------------------------|---------------------|----------------|-------------------|
| digital | DRN. <i>DeMora</i> | DATE 21-MAR-88 | ENG. | DATE | TITLE: DPM22 |
| | CHK'D. | DATE | BOARD LOCATION: AC2 | SHEET OF 1 | FORWARD REFERENCE |
| FIRST USED ON OPTION/MODEL: 11/750 | | NEXT HIGHER ASSEMBLY: B-DD-L0002-0-0 | | SIZE CODE D CS | NUMBER L0002-0-22 |
| | | | | REV. B | |

| SIGNAL NAME | PAGE NUMBER(S) | SIGNAL NAME | PAGE NUMBER(S) | SIGNAL NAME | PAGE NUMBER(S) |
|----------------------|-------------------------------|-------------------------|----------------------------|-------------------------|----------------------------------|
| DPM11 MSPA 0 H | 11,05,01,06,02,07,03,08,04 | DPM12 RSRC 3 H | 12,11,09 | DPM17 CPU OSC IN H | 17 |
| DPM11 MSPA 1 H | 11,05,01,06,02,07,03,08,04 | DPM12 RSRC 4 H | 12,11,09 | DPM17 D CLK ENABLE H | 17,11,10,13 |
| DPM11 MSPA 2 H | 11,05,01,06,02,07,03,08,04 | DPM12 RSRC 5 H | 12,11,09 | DPM17 DISABLE CS ADDR H | 16,17 |
| DPM11 MSPA 3 H | 11,05,01,06,02,07,03,08,04 | DPM13 +3V NOM H | 20,19,17,03,10,01,02,09,13 | DPM17 DKEN H | 17 |
| DPM11 RCS GPR L | 11,05,01,06,02,07,03,08,04 | DPM13 GRP A P ERROR L | 20,13 | DPM17 DO SRVC L | 21,14,17 |
| DPM11 RCS IPR L | 11,05,01,06,02,07,03,08,04 | DPM13 MSRC 0 H | 13,11,12 | DPM17 ENABLE UVECT H | 14,17 |
| DPM11 RCS TMP L | 11,05,01,06,02,07,03,08,04 | DPM13 MSRC 1 H | 12,13,11 | DPM17 INSTR FETCH H | 21,17,11 |
| DPM11 RSPA 0 H | 11,05,01,06,02,07,03,08,04 | DPM13 MSRC 2 H | 13,11 | DPM17 IRD ADD CTL 0 H | 20,17 |
| DPM11 RSPA 1 H | 11,05,01,06,02,07,03,08,04 | DPM13 MSRC 3 H | 13,11 | DPM17 IRD ADD CTL 1 H | 20,17,18 |
| DPM11 RSPA 2 H | 11,05,01,06,02,07,03,08,04 | DPM13 MSRC 4 H | 13,11 | DPM17 IRD CTR 0 H | 19,18,17 |
| DPM11 RSPA 3 H | 11,05,01,06,02,07,03,08,04 | DPM13 PAR 0 H | 12,13 | DPM17 IRD CTR 1 H | 19,14,17 |
| DPM11 SPA ST0 H | 16,11 | DPM13 SPW 0 H | 11,13,10 | DPM17 IRD CTR 2 H | 19,14,17 |
| DPM11 SPA ST1 H | 15,11 | DPM13 SPW 1 H | 11,13,10 | DPM17 IRD LD RNUM H | 17,11 |
| DPM11 SPWK 07:00 L | 11,01,02 | DPM13 TIMER INT L | 21,13 | DPM17 ISTRM H | 20,17,19,12,09 |
| DPM11 SPWK 15:00 L | 11,03,04 | DPM13 TIMER SERVICE H | 16,17,13 | DPM17 LATCH UTRAP L | 17 |
| DPM11 SPWK 31:16 A L | 11,05,06 | DPM14 CLKX H | 20,14,17 | DPM17 LD IR L | 17,18 |
| DPM11 SPWK 31:16 B L | 11,07,08 | DPM14 DISABLE HI NEXT H | 21,14 | DPM17 LIT 0 H | 20,17,19,14,11 |
| DPM12 ALPCTL 0 H | 12,10 | DPM14 ENABLE IRD ROM H | 20,18,13,14 | DPM17 LIT 1 H | 20,17,14 |
| DPM12 ALPCTL 1 H | 12,10 | DPM14 FPA WAIT L | 14,17 | DPM17 M CLK ENABLE H | 17,20 |
| DPM12 ALPCTL 2 H | 12,10,05,01,06,02,07,03,08,04 | DPM14 JSR H | 20,14 | DPM17 M CLK L | 17 |
| DPM12 ALPCTL 3 H | 12,10,05,01,06,02,07,03,08,04 | DPM14 LD OSR A L | 19,14,17,18 | DPM17 MISC CTL 0 H | 20,17 |
| DPM12 ALPCTL 4 H | 12,10 | DPM14 LD OSR L | 14,21,17 | DPM17 MISC CTL 1 H | 20,17 |
| DPM12 ALPCTL 5 H | 12,10 | DPM14 NEXT 00 H | 20,14 | DPM17 MISC CTL 2 H | 20,17 |
| DPM12 ALPCTL 6 H | 12,10 | DPM14 NEXT 01 H | 20,14 | DPM17 MISC CTL 3 H | 20,17 |
| DPM12 ALPCTL 7 H | 12,10,05,01,06,02,07,03,08,04 | DPM14 NEXT 02 H | 14,20 | DPM17 MISC CTL 4 H | 20,17 |
| DPM12 ALPCTL 8 H | 12,10,05,01,06,02,07,03,08,04 | DPM14 NEXT 03 H | 14,20 | DPM17 MKEN H | 17 |
| DPM12 ALPCTL 9 H | 12,10,05,01,06,02,07,03,08,04 | DPM14 NEXT 04 H | 14,20 | DPM17 PHASE 1 H | 14,13,11,17 |
| DPM12 BUT 0 H | 14,12,16,15,17 | DPM14 NEXT 05 H | 14,20 | DPM17 PHASE 1 L | 17,14 |
| DPM12 BUT 1 H | 12,16,15,14,17 | DPM14 USTK ADDR 0 H | 13,14 | DPM17 PSL CM H | 19,14,18,21,17 |
| DPM12 BUT 2 H | 14,12,16,15,17 | DPM14 USTK ADDR 2 H | 13,14 | DPM17 PSL FPD H | 18,17 |
| DPM12 BUT 3 H | 16,12,17 | DPM14 USTK ADDR 3 H | 13,14 | DPM17 PSL TP H | 17,16 |
| DPM12 BUT 4 H | 16,12,17 | DPM14 USTK OUT ENABLE L | 13,14 | DPM17 QD CLK EN H | 17 |
| DPM12 BUT 5 H | 16,12,17 | DPM14 UVCTR BRANCH H | 14,21 | DPM17 QD CLK L | 17,09,10,05,01,06,02,07,03,08,04 |
| DPM12 CC 0 H | 20,12,09 | DPM14 ZERO HI NEXT L | 13,14 | DPM17 QDEN H | 17 |
| DPM12 CC 1 H | 20,12,09 | DPM16 BUT 1 L | 14,16 | DPM18 DISP ISIZE 0 H | 19,18 |
| DPM12 CS PAR CHK A H | 13,12 | DPM16 BUT CTRL CODE A H | 14,16,17 | DPM18 DISP ISIZE 1 H | 19,18 |
| DPM12 CS PAR CHK B H | 12,13 | DPM16 BUT UVECT L | 16,14 | DPM18 DST RMODE H | 16,21,18,11 |
| DPM12 CS PAR CHK C H | 12,13 | DPM16 ENABLE BUT 4XXX L | 16 | DPM18 IR 0 H | 19,18,10,16 |
| DPM12 CS PAR CHK D H | 13,12 | DPM16 ENABLE BUT 5XXX L | 16,15 | DPM18 IR 1 H | 19,18,10 |
| DPM12 DTYPE 0 H | 19,12 | DPM16 ENABLE BUT 6XXX L | 16,15 | DPM18 IR 2 H | 19,18,10,16 |
| DPM12 DTYPE 1 H | 19,12 | DPM16 INDEX MODE BUT L | 19,16 | DPM18 IR 3 H | 19,18,10,16 |
| DPM12 ROT 0 H | 12,09,10 | DPM16 INTERRUPT H | 16,17 | DPM18 IR 4 H | 19,18,10 |
| DPM12 ROT 1 H | 12,09,10 | DPM16 IRD1 H | 18,13,14,17,16,21 | DPM18 IR 5 H | 19,18,10,16 |
| DPM12 ROT 2 H | 12,09,10 | DPM16 IRD1 L | 18,16 | DPM18 IR 6 H | 19,18,10 |
| DPM12 ROT 3 H | 12,09,10 | DPM17 B CLK L | 17 | DPM18 IR 7 H | 19,18,10 |
| DPM12 ROT 4 H | 12,09,10 | DPM17 BASE CLK L | 17 | DPM18 IRD RNUM 0 H | 18,11 |
| DPM12 ROT 5 H | 03,09,12,10 | DPM17 BASE CLOCK H | 20,17,11 | DPM18 IRD RNUM 1 H | 18,11 |
| DPM12 RSRC 0 H | 12,11,09 | DPM17 BUF B CLK L | 20,14,10,13,17 | DPM18 IRD RNUM 2 H | 18,11 |
| DPM12 RSRC 1 H | 12,11,09 | DPM17 BUF M CLK L | 10,20,14,17,19,12,11,13,18 | DPM18 IRD RNUM 3 H | 18,11 |
| DPM12 RSRC 2 H | 12,11,09 | | | DPM18 PSL CM L | 13,18 |

NOTES:
1. THIS PAGE LISTS THE SCHEMATIC PAGE NUMBER(S) WHERE A SIGNAL NAME IS REFERENCED.

THIS DRAWING AND SPECIFICATIONS ARE THE PROPERTY OF DIGITAL EQUIPMENT CORPORATION AND SHALL NOT BE REPRODUCED OR COPIED OR USED IN WHOLE OR IN PART AS THE BASIS FOR THE MANUFACTURE OR SALE OF ITEMS WITHOUT WRITTEN PERMISSION. COPYRIGHT © 1988, DIGITAL EQUIPMENT CORPORATION.

| REVISIONS | | |
|-----------|------------|-----|
| CHK | CHANGE NO. | REV |
| | | |

| | | | | | |
|------------------------------------|----------------|----------------|--------------------------------------|--------------|--------------------------------|
| digital | DRN. <i>DE</i> | DATE 21-MAR-88 | ENG. | DATE | TITLE: DPM23 FORWARD REFERENCE |
| | CHK'D. | DATE | BOARD LOCATION: AC2 | SHEET 1 OF 1 | NUMBER L0002-0-23 |
| FIRST USED ON OPTION/MODEL: 11/750 | | | NEXT HIGHER ASSEMBLY: B-DD-L0002-0-0 | | REV. B |

| SIGNAL NAME | PAGE NUMBER(S) |
|---------------------------|----------------------------|
| DPM18 REG MODE H | 18 |
| DPM18 ROM OS INH H | 14,18 |
| DPM19 D SIZE 0 H | 19,21,03,10,09,11 |
| DPM19 D SIZE 1 H | 19,21,10,09,11,05,06,07,08 |
| DPM19 DSIZE LATCH BYTE L | 19,16 |
| DPM19 DSIZE LATCH 0 <0> H | 19 |
| DPM19 DSIZE LATCH 0 <1> H | 19,16 |
| DPM19 DSIZE LATCH 1 <0> H | 19 |
| DPM19 DSIZE LATCH 1 <1> H | 19,15 |
| DPM19 FORCE DTYPE L | 19 |
| DPM19 ISIZE 0 L | 19,21 |
| DPM19 ISIZE 1 L | 19,21 |
| DPM19 LD OSR A H | 14,19 |
| DPM20 CC CTRL 0 H | 20,10 |
| DPM20 CC CTRL 1 H | 20,10 |
| DPM20 CC CTRL 2 H | 20,10 |
| DPM20 CC CTRL 3 H | 20,10 |
| DPM20 CS PARITY ERROR H | 20,21,17 |
| DPM20 IRD ACTL 0 H | 20,18 |
| DPM20 IRD CONTROL L | 20,18 |
| DPM20 LONG LIT L | 16,20,19,17,10 |
| DPM20 PAR 1 H | 20 |
| DPM20 PHB GD SAM 0 H | 20,17 |
| DPM20 PHB GD SAM 1 H | 20,17 |
| DPM20 PHB GD SAM 2 H | 20,17 |
| DPM20 WCTRL 0 H | 20,13 |
| DPM20 WCTRL 1 H | 20,13 |
| DPM20 WCTRL 2 H | 20,18,13 |
| DPM20 WCTRL 3 H | 20,13 |
| DPM20 WCTRL 4 H | 20,13 |
| DPM20 WCTRL 5 H | 20,13 |
| DPM21 V OUT H | 21 |
| FP BOOT 0 H | 16 |
| FP BOOT 1 H | 15 |
| FP START 0 H | 16 |
| FP START 1 H | 15 |
| FPA19 FPA TRAP L | 17 |
| FPA21 FPA ENABLED L | 18,16,10 |
| FPA21 FPA PRESENT L | 15 |
| FPA19 FPA STALL L | 17 |
| FPA21 FPA V L | 10 |
| FPA21 FPA Z L | 10 |
| FRNT PNL LOCK H | 16 |
| MBUS 00 L | 01,09 |
| MBUS 01 L | 01,09 |
| MBUS 02 L | 01,09 |
| MBUS 03 L | 01,09 |
| MBUS 04 L | 02,09 |
| MBUS 05 L | 02,09 |
| MBUS 06 L | 02,09 |
| MBUS 07 L | 03,02,09 |
| MBUS 08 L | 03,09 |

| SIGNAL NAME | PAGE NUMBER(S) |
|-------------------------|----------------|
| MBUS 09 L | 03,09 |
| MBUS 10 L | 03,09 |
| MBUS 11 L | 03,09 |
| MBUS 12 L | 04,09 |
| MBUS 13 L | 04,09 |
| MBUS 14 L | 04,09 |
| MBUS 15 L | 03,04,09 |
| MBUS 16 L | 05,09 |
| MBUS 17 L | 05,09 |
| MBUS 18 L | 05,09 |
| MBUS 19 L | 05,09 |
| MBUS 20 L | 06,09 |
| MBUS 21 L | 06,09 |
| MBUS 22 L | 06,09 |
| MBUS 23 L | 06,09 |
| MBUS 24 L | 07,09 |
| MBUS 25 L | 07,09 |
| MBUS 26 L | 07,09 |
| MBUS 27 L | 07,09 |
| MBUS 28 L | 08,09 |
| MBUS 29 L | 08,09 |
| MBUS 30 L | 08,09 |
| MBUS 31 L | 08,09 |
| MIC01 XBUF 00 H | 18 |
| MIC01 XBUF 01 H | 18 |
| MIC01 XBUF 02 H | 18 |
| MIC01 XBUF 03 H | 18 |
| MIC02 XBUF 04 H | 18 |
| MIC02 XBUF 05 H | 18 |
| MIC02 XBUF 06 H | 18 |
| MIC02 XBUF 07 H | 18 |
| MIC04 LATCHED MBUS 15 L | 15 |
| MIC04 MEM STALL H | 17,20 |
| MIC04 MSRC X0 H | 19 |
| MIC04 PROC INIT L | 10,13 |
| MIC07 GEN DEST INH L | 17 |
| MIC07 UTRAP L | 17 |
| MICRO ADDR INH L | 13,14,17 |
| MICRO VECTOR 0 H | 14 |
| MICRO VECTOR 1 H | 14 |
| MICRO VECTOR 2 H | 14 |
| MICRO VECTOR 3 H | 14 |
| Q SIO 00 L | 01,10 |
| Q SIO 03 L | 01,02 |
| Q SIO 07 L | 03,10,02 |
| Q SIO 11 L | 03,04 |
| Q SIO 15 L | 05,10,04 |
| Q SIO 19 L | 05,06 |
| Q SIO 23 L | 07,06 |
| Q SIO 27 L | 07,08 |

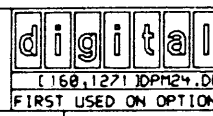
| SIGNAL NAME | PAGE NUMBER(S) |
|---------------|----------------|
| Q SIO 31 L | 08,10 |
| RBUS 00 L | 12,01,09 |
| RBUS 01 L | 12,01,09 |
| RBUS 02 L | 12,01,09 |
| RBUS 03 L | 12,01,09 |
| RBUS 04 L | 12,02,09 |
| RBUS 05 L | 12,02,09 |
| RBUS 06 L | 12,02,09 |
| RBUS 07 L | 12,02,09 |
| RBUS 08 L | 12,03,09 |
| RBUS 09 L | 12,03,09 |
| RBUS 10 L | 12,03,09 |
| RBUS 11 L | 12,03,09 |
| RBUS 12 L | 12,04,09 |
| RBUS 13 L | 12,04,09 |
| RBUS 14 L | 12,04,09 |
| RBUS 15 L | 12,04,09 |
| RBUS 16 L | 12,05,09 |
| RBUS 17 L | 12,05,09 |
| RBUS 18 L | 12,05,09 |
| RBUS 19 L | 12,05,09 |
| RBUS 20 L | 12,06,09 |
| RBUS 21 L | 12,06,09 |
| RBUS 22 L | 12,06,09 |
| RBUS 23 L | 12,06,09 |
| RBUS 24 L | 12,07,09 |
| RBUS 25 L | 12,07,09 |
| RBUS 26 L | 12,07,09 |
| RBUS 27 L | 12,07,09 |
| RBUS 28 L | 12,08,09 |
| RBUS 29 L | 12,08,09 |
| RBUS 30 L | 12,08,09 |
| RBUS 31 L | 12,08,09 |
| RDM V CLOCK H | 21 |
| RDM V LOAD H | 21 |
| RDM V OUT H | 21 |
| SBUS 00 H | 09,01 |
| SBUS 01 H | 09,01 |
| SBUS 02 H | 09,01 |
| SBUS 03 H | 09,01 |
| SBUS 04 H | 09,01,02 |
| SBUS 05 H | 09,01,02 |
| SBUS 06 H | 09,01,02 |
| SBUS 07 H | 09,02 |
| SBUS 08 H | 02,03,09 |
| SBUS 09 H | 02,03,09 |
| SBUS 10 H | 02,03,09 |
| SBUS 11 H | 03,09 |
| SBUS 12 H | 03,04,09 |
| SBUS 13 H | 03,04,09 |

NOTES:
1. THIS PAGE LISTS THE SCHEMATIC PAGE NUMBER(S) WHERE A SIGNAL NAME IS REFERENCED.

THIS DRAWING AND SPECIFICATIONS ARE THE PROPERTY OF DIGITAL EQUIPMENT CORPORATION AND SHALL NOT BE REPRODUCED OR COPIED IN WHOLE OR IN PART OR USED FOR THE MANUFACTURE OF ANY ITEMS WITHOUT WRITTEN PERMISSION. COPYRIGHT © 1982, DIGITAL EQUIPMENT CORPORATION.

| CHK | CHANGE NO. | REV |
|-----|------------|-----|
| | | |

| | | | |
|-----------------------------|-----------------------|-----------|-------------------|
| DATE | ENG. | DATE | TITLE: |
| 19-FEB-82 | DRN. DE | 19-FEB-82 | DPM24 |
| DATE | BOARD LOCATION: | SHEET | FORWARD REFERENCE |
| 19-FEB-82 16:43 | AC2 | 1 | |
| FIRST USED ON OPTION/MODEL: | NEXT HIGHER ASSEMBLY: | SIZE CODE | NUMBER |
| 11/750 | B-DD-L0002-0-0 | D CS | L0002-0-24 |



| | |
|-----------|------------|
| REV. | D |
| DATE | 19-FEB-82 |
| SIZE CODE | D CS |
| NUMBER | L0002-0-24 |
| REV. | D |

| SIGNAL NAME | PAGE NUMBER(S) | SIGNAL NAME | PAGE NUMBER(S) | SIGNAL NAME | PAGE NUMBER(S) |
|-----------------------|----------------------|-----------------|----------------|-------------|----------------|
| SBUS 14 H | 03,04,09 | WBUS 23 H | 13,06 | | |
| SBUS 15 H | 04,09 | WBUS 24 H | 13,07 | | |
| SBUS 16 H | 05,04,09 | WBUS 25 H | 07 | | |
| SBUS 17 H | 05,04,09 | WBUS 26 H | 07 | | |
| SBUS 18 H | 05,04,09 | WBUS 27 H | 17,07 | | |
| SBUS 19 H | 05,09 | WBUS 28 H | 08 | | |
| SBUS 20 H | 05,06,09 | WBUS 29 H | 08 | | |
| SBUS 21 H | 05,06,09 | WBUS 30 H | 17,10,08 | | |
| SBUS 22 H | 05,06,09 | WBUS 31 H | 17,10,13,08 | | |
| SBUS 23 H | 06,09 | WCS19 PRESENT L | 16 | | |
| SBUS 24 H | 06,07,09 | WMUX2 00 H | 01,16,10,09,02 | | |
| SBUS 25 H | 06,07,09 | WMUX2 01 H | 03,16,10,09,04 | | |
| SBUS 26 H | 06,07,09 | WMUX2 02 H | 05,16,10,09,06 | | |
| SBUS 27 H | 07,09 | WMUX2 03 H | 16,10,09,07,08 | | |
| SBUS 28 H | 07,08,09 | XBUF 08 H | 18 | | |
| SBUS 29 H | 07,08,09 | XBUF 09 H | 18 | | |
| SBUS 30 H | 07,08,09 | XBUF 10 H | 18 | | |
| SBUS 31 H | 08,09 | XBUF 11 H | 18 | | |
| SBUS 32 H | 08,09 | XBUF 12 H | 18 | | |
| SBUS 33 H | 08,09 | XBUF 13 H | 18 | | |
| SBUS 34 H | 08,09 | XBUF 14 H | 18 | | |
| UBI03 BUSF PAR H | 20 | XBUF 15 H | 18 | | |
| UBI11 CON HALT L | 17,15 | | | | |
| UBI13 MSED INIT L | 21,14,17 | | | | |
| UBI14 INT PEND L | 16,15,17 | | | | |
| UBI14 PREV DEST INH L | 16 | | | | |
| UBI14 SYNCHR ACLO H | 15 | | | | |
| WBUS 00 H | 16,17,10,09,11,13,01 | | | | |
| WBUS 01 H | 17,10,09,11,13,01 | | | | |
| WBUS 02 H | 17,10,09,11,13,01 | | | | |
| WBUS 03 H | 17,10,09,11,13,01 | | | | |
| WBUS 04 H | 17,10,09,13,02 | | | | |
| WBUS 05 H | 17,10,09,13,02 | | | | |
| WBUS 06 H | 10,09,13,02 | | | | |
| WBUS 07 H | 10,09,13,02 | | | | |
| WBUS 08 H | 13,03 | | | | |
| WBUS 09 H | 13,03 | | | | |
| WBUS 10 H | 13,03 | | | | |
| WBUS 11 H | 13,03 | | | | |
| WBUS 12 H | 13,04 | | | | |
| WBUS 13 H | 13,04 | | | | |
| WBUS 14 H | 13,04 | | | | |
| WBUS 15 H | 10,13,04 | | | | |
| WBUS 16 H | 13,05 | | | | |
| WBUS 17 H | 13,05 | | | | |
| WBUS 18 H | 13,05 | | | | |
| WBUS 19 H | 13,05 | | | | |
| WBUS 20 H | 13,06 | | | | |
| WBUS 21 H | 13,06 | | | | |
| WBUS 22 H | 13,06 | | | | |

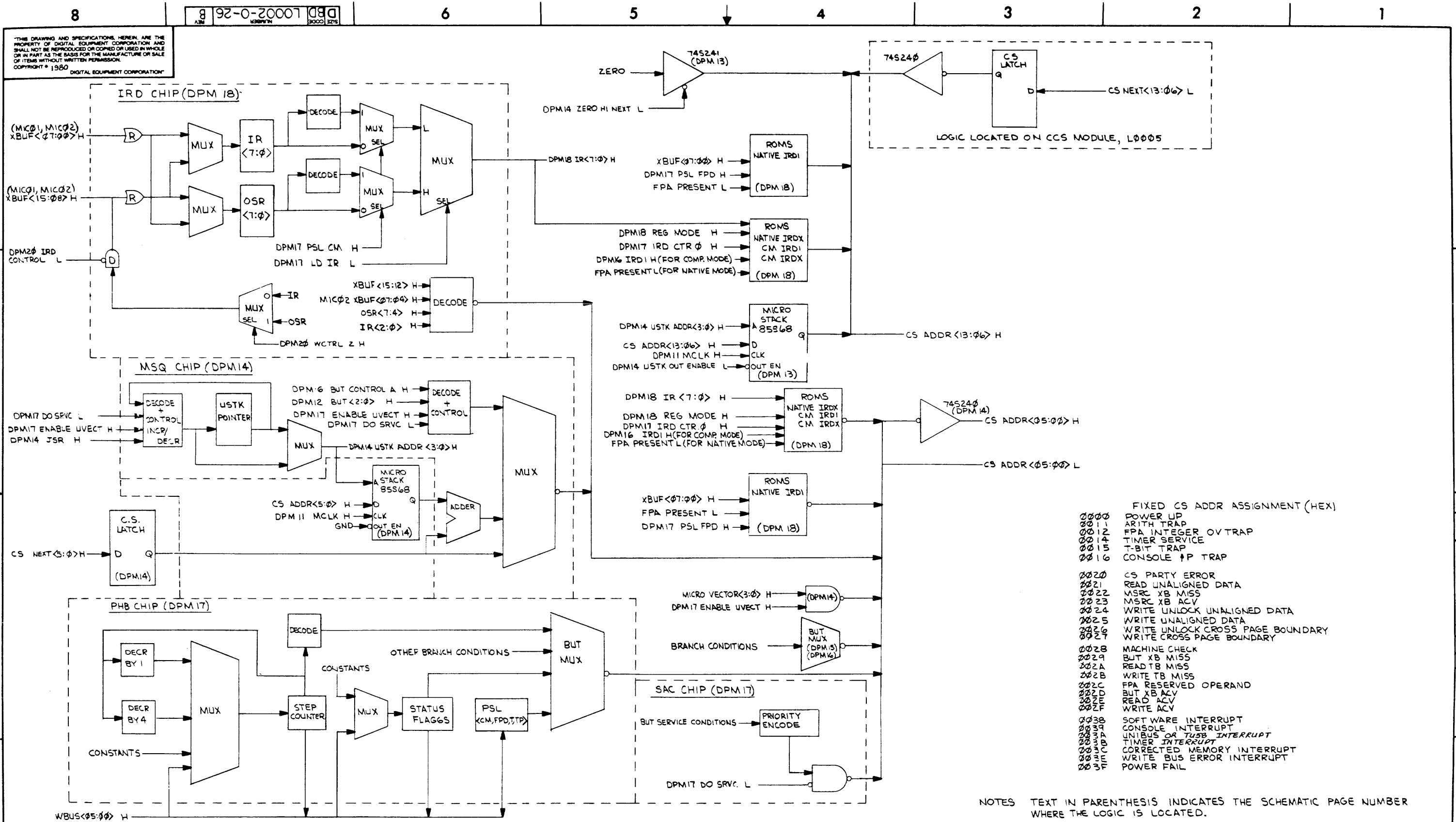
NOTES:
 1. THIS PAGE LISTS THE SCHEMATIC PAGE NUMBER(S) WHERE A SIGNAL NAME IS REFERENCED.

THIS DRAWING AND SPECIFICATIONS HEREIN ARE THE PROPERTY OF DIGITAL EQUIPMENT CORPORATION AND SHALL NOT BE REPRODUCED OR COPIED OR USED IN WHOLE OR IN PART AS THE BASIS FOR THE MANUFACTURE OR SALE OF ITEMS WITHOUT WRITTEN PERMISSION. COPYRIGHT © 1980, DIGITAL EQUIPMENT CORPORATION.

| REVISIONS | | |
|-----------|------------|-----|
| CHK | CHANGE NO. | REV |
| | | |

| | | | | | |
|------------------------------------|----------------|--------------------------------------|---------------------|--------------|---|
| digital | DRN. <i>DJ</i> | DATE 21-MAR-88 | ENG. | DATE | TITLE: DPM25 FORWARD REFERENCE |
| | CHK'D. | DATE | BOARD LOCATION: AC2 | SHEET 1 OF 1 | SIZE CODE NUMBER REV. D CS L0002-0-25 B |
| FIRST USED ON OPTION/MODEL: 11/750 | | NEXT HIGHER ASSEMBLY: B-DD-L0002-0-0 | | | |

REV. B
 NUMBER L0002-0-25
 CS
 D



- FIXED CS ADDR ASSIGNMENT (HEX)
- 0000 POWER UP
 - 0001 ARITH TRAP
 - 0002 FPA INTEGER OV TRAP
 - 0004 TIMER SERVICE
 - 0005 T-BIT TRAP
 - 0006 CONSOLE I/P TRAP
 - 0020 CS PARTY ERROR
 - 0021 READ UNALIGNED DATA
 - 0022 MSRC XB MISS
 - 0023 MSRC XB ACV
 - 0024 WRITE UNLOCK UNALIGNED DATA
 - 0025 WRITE UNALIGNED DATA
 - 0026 WRITE UNLOCK CROSS PAGE BOUNDARY
 - 0027 WRITE CROSS PAGE BOUNDARY
 - 0028 MACHINE CHECK
 - 0029 BUT XB MISS
 - 002A READ TB MISS
 - 002B WRITE TB MISS
 - 002C FPA RESERVED OPERAND
 - 002D BUT XB ACV
 - 002E READ ACV
 - 002F WRITE ACV
 - 0030 SOFTWARE INTERRUPT
 - 0031 CONSOLE INTERRUPT
 - 0032 UNIBUS OR TUSB INTERRUPT
 - 0033 TIMER INTERRUPT
 - 0034 CORRECTED MEMORY INTERRUPT
 - 0035 WRITE BUS ERROR INTERRUPT
 - 0036 POWER FAIL

MICRO SEQ. PORTION

| | | | |
|----------------------------|------------------------|-------------------|---------------|
| OWN <i>Brian House</i> | DATE <i>16 Jan 80</i> | TITLE | digital |
| CHKD <i>J.F. Sullivan</i> | DATE <i>JAN 24 80</i> | DPM BLOCK DIAGRAM | |
| DESIGN <i>Dominic di</i> | DATE <i>MAR 21, 80</i> | DOCUMENT NUMBER | |
| RESP ENG <i>Dominic di</i> | DATE <i>MAR 21, 80</i> | SIZE | BOOK NUMBER |
| WFO ENG <i>A. Braken</i> | DATE <i>3/20/80</i> | D | BD L0002-0-26 |
| NEXT HIGHER DOC | B-DD-L0002-0 | SCALE | SHEET 1 of 2 |

REVISION HISTORY

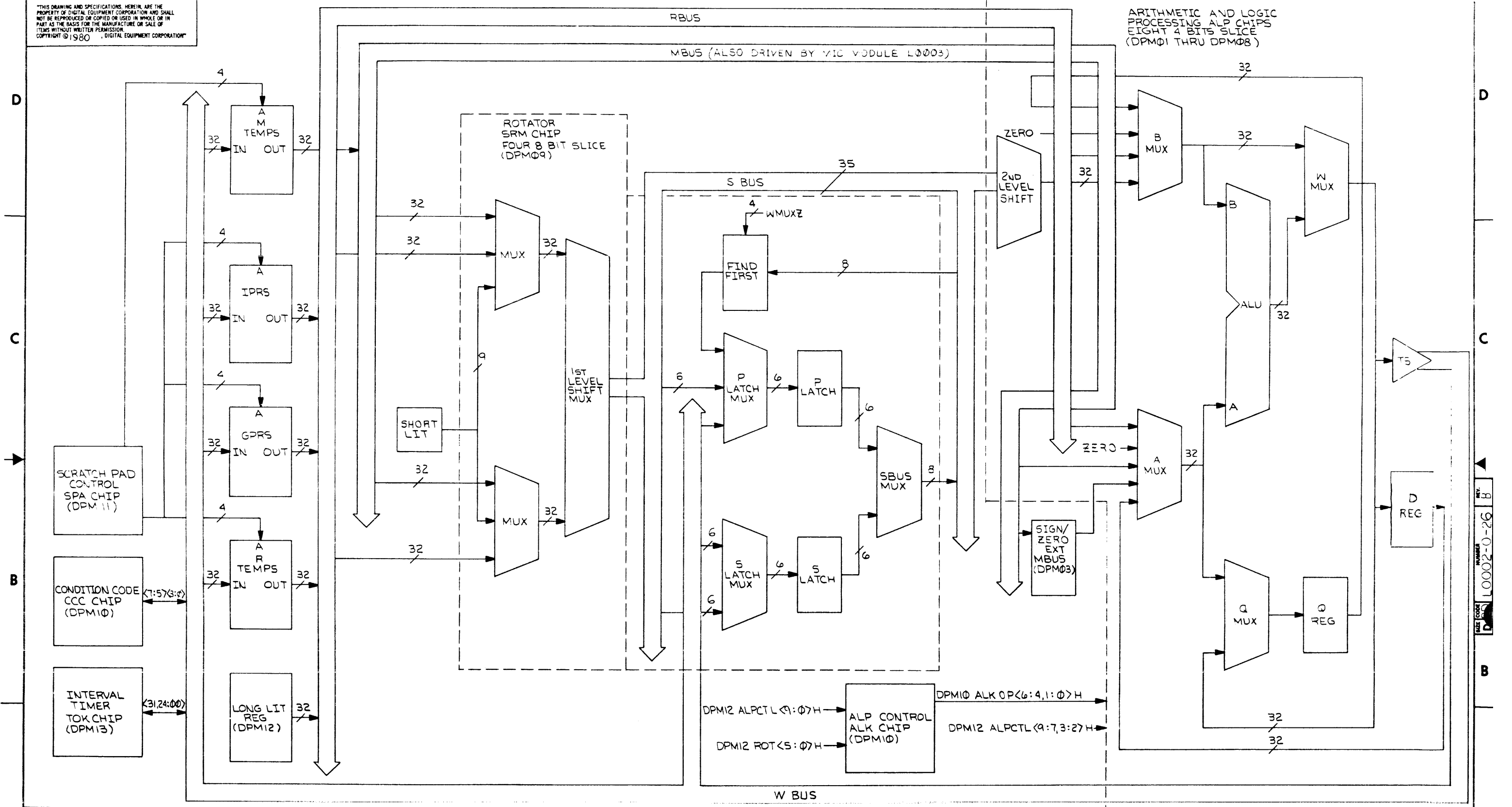
| REV. | ECO NUMBER | DATE |
|------|------------|------|
| | | |

REV. B NUMBER L0002-0-26 SIZE CODE D BD

TW 1

THIS DRAWING AND SPECIFICATIONS HEREIN ARE THE PROPERTY OF DIGITAL EQUIPMENT CORPORATION AND SHALL NOT BE REPRODUCED OR COPIED OR USED IN WHOLE OR IN PART AS THE BASIS FOR THE MANUFACTURE OR SALE OF ITEMS WITHOUT WRITTEN PERMISSION OF DIGITAL EQUIPMENT CORPORATION. COPYRIGHT © 1980

ARITHMETIC AND LOGIC PROCESSING ALP CHIPS EIGHT 4 BITS SLICE (DPM01 THRU DPM08)



| REV. | CHG. | NO. | DATE |
|------|------|-----|------|
| | | | |

DATA PATH PORTION

| | | | |
|----------------|-----------|----------------------|-------------------|
| DRN: R. Coates | 4/20/79 | FIRST USED ON | digital |
| CHK'D: J.F.S. | 24/1/80 | TITLE | DPM BLOCK DIAGRAM |
| ENG: D. Zi | 3/21/80 | PROJ. ENG: D. Coates | 3/21/80 |
| PROD: A. Khan | 3/20/80 | NEXT HIGHER ASSY. | |
| B-DD-L0002-0 | SIZE CODE | NUMBER | REV. |
| SCALE | D BD | L0002-0-26 | B |
| SHEET 2 OF 2 | DIST. | | |

THIS DRAWING AND SPECIFICATIONS, HEREIN, ARE THE PROPERTY OF DIGITAL EQUIPMENT CORPORATION AND SHALL NOT BE REPRODUCED OR COPIED OR USED IN WHOLE OR IN PART AS THE BASIS FOR THE MANUFACTURE OR SALE OF ITEMS WITHOUT WRITTEN PERMISSION. COPYRIGHT © DIGITAL EQUIPMENT CORPORATION

REV 8 10002-0-27 SIZE D BD 1 2

| MICRO ORDER | 0 | 1 | 2 | 3 | 4 | 5 | 6 | 7 | 8 | 9 | A | B | C | D | E | F |
|------------------|-----------------------|------------------------------|-----------------------|------------------------------|-----------------------|------------------------------|-----------------------|------------------------------|-----------------------|------------------------------|------------------|-----------------------|------------------------------|-----------------------|------------------------------|-----------------------|
| ALU | M,R1 | M,R2 | M,Q1 | M,Q2 | M,S | XM,R | XM,Q | XM,S | D,R1 | D,R2 | D,Q1 | D,Q2 | D,S | 0,S | R,Q | R,S |
| 0 A-B-CI | NOP D+HX Q+HX D+HX | SCL SQL D+HX SQR SQR D+HX | NOP D+HX Q+HX D+HX | SCL SQL D+HX SQR SQR D+HX | NOP D+HX Q+HX D+HX | SCL SQL D+HX SQR SQR D+HX | NOP D+HX Q+HX D+HX | SCL SQL D+HX SQR SQR D+HX | NOP D+HX Q+HX D+HX | SCL SQL D+HX SQR SQR D+HX | RESVRD RESVRD | NOP D+HX Q+HX D+HX | SCL SQL D+HX SQR SQR D+HX | NOP D+HX Q+HX D+HX | SCL SQL D+HX SQR SQR D+HX | NOP D+HX Q+HX D+HX |
| 1 A-B-CI,BCD | NOP D+HX Q+HX D+HX | SCL SQL D+HX SQR SQR D+HX | NOP D+HX Q+HX D+HX | SCL SQL D+HX SQR SQR D+HX | NOP D+HX Q+HX D+HX | SCL SQL D+HX SQR SQR D+HX | NOP D+HX Q+HX D+HX | SCL SQL D+HX SQR SQR D+HX | NOP D+HX Q+HX D+HX | SCL SQL D+HX SQR SQR D+HX | RESVRD RESVRD | NOP D+HX Q+HX D+HX | SCL SQL D+HX SQR SQR D+HX | NOP D+HX Q+HX D+HX | SCL SQL D+HX SQR SQR D+HX | NOP D+HX Q+HX D+HX |
| 2 (A-B-CI).SR | NOP D+HX Q+HX D+HX | SCL SQL D+HX SQR SQR D+HX | NOP D+HX Q+HX D+HX | SCL SQL D+HX SQR SQR D+HX | NOP D+HX Q+HX D+HX | SCL SQL D+HX SQR SQR D+HX | NOP D+HX Q+HX D+HX | SCL SQL D+HX SQR SQR D+HX | NOP D+HX Q+HX D+HX | SCL SQL D+HX SQR SQR D+HX | RESVRD RESVRD | NOP D+HX Q+HX D+HX | SCL SQL D+HX SQR SQR D+HX | NOP D+HX Q+HX D+HX | SCL SQL D+HX SQR SQR D+HX | NOP D+HX Q+HX D+HX |
| 3 (A-B-CI).SL | NOP D+HX Q+HX D+HX | SCL SQL D+HX SQR SQR D+HX | NOP D+HX Q+HX D+HX | SCL SQL D+HX SQR SQR D+HX | NOP D+HX Q+HX D+HX | SCL SQL D+HX SQR SQR D+HX | NOP D+HX Q+HX D+HX | SCL SQL D+HX SQR SQR D+HX | NOP D+HX Q+HX D+HX | SCL SQL D+HX SQR SQR D+HX | RESVRD RESVRD | NOP D+HX Q+HX D+HX | SCL SQL D+HX SQR SQR D+HX | NOP D+HX Q+HX D+HX | SCL SQL D+HX SQR SQR D+HX | NOP D+HX Q+HX D+HX |
| 4 A+B+CI | NOP D+HX Q+HX D+HX | SCL SQL D+HX SQR SQR D+HX | NOP D+HX Q+HX D+HX | SCL SQL D+HX SQR SQR D+HX | NOP D+HX Q+HX D+HX | SCL SQL D+HX SQR SQR D+HX | NOP D+HX Q+HX D+HX | SCL SQL D+HX SQR SQR D+HX | NOP D+HX Q+HX D+HX | SCL SQL D+HX SQR SQR D+HX | RESVRD RESVRD | NOP D+HX Q+HX D+HX | SCL SQL D+HX SQR SQR D+HX | NOP D+HX Q+HX D+HX | SCL SQL D+HX SQR SQR D+HX | NOP D+HX Q+HX D+HX |
| 5 A+B+CI,BCD | NOP D+HX Q+HX D+HX | SCL SQL D+HX SQR SQR D+HX | NOP D+HX Q+HX D+HX | SCL SQL D+HX SQR SQR D+HX | NOP D+HX Q+HX D+HX | SCL SQL D+HX SQR SQR D+HX | NOP D+HX Q+HX D+HX | SCL SQL D+HX SQR SQR D+HX | NOP D+HX Q+HX D+HX | SCL SQL D+HX SQR SQR D+HX | RESVRD RESVRD | NOP D+HX Q+HX D+HX | SCL SQL D+HX SQR SQR D+HX | NOP D+HX Q+HX D+HX | SCL SQL D+HX SQR SQR D+HX | NOP D+HX Q+HX D+HX |
| 6 (A+B+CI).SR | NOP D+HX Q+HX D+HX | SCL SQL D+HX SQR SQR D+HX | NOP D+HX Q+HX D+HX | SCL SQL D+HX SQR SQR D+HX | NOP D+HX Q+HX D+HX | SCL SQL D+HX SQR SQR D+HX | NOP D+HX Q+HX D+HX | SCL SQL D+HX SQR SQR D+HX | NOP D+HX Q+HX D+HX | SCL SQL D+HX SQR SQR D+HX | RESVRD RESVRD | NOP D+HX Q+HX D+HX | SCL SQL D+HX SQR SQR D+HX | NOP D+HX Q+HX D+HX | SCL SQL D+HX SQR SQR D+HX | NOP D+HX Q+HX D+HX |
| 7 (A+B+CI).SL | NOP D+HX Q+HX D+HX | SCL SQL D+HX SQR SQR D+HX | NOP D+HX Q+HX D+HX | SCL SQL D+HX SQR SQR D+HX | NOP D+HX Q+HX D+HX | SCL SQL D+HX SQR SQR D+HX | NOP D+HX Q+HX D+HX | SCL SQL D+HX SQR SQR D+HX | NOP D+HX Q+HX D+HX | SCL SQL D+HX SQR SQR D+HX | RESVRD RESVRD | NOP D+HX Q+HX D+HX | SCL SQL D+HX SQR SQR D+HX | NOP D+HX Q+HX D+HX | SCL SQL D+HX SQR SQR D+HX | NOP D+HX Q+HX D+HX |
| 8 A.AND.B | NOP D+HX Q+HX D+HX | SCL SQL D+HX SQR SQR D+HX | NOP D+HX Q+HX D+HX | SCL SQL D+HX SQR SQR D+HX | NOP D+HX Q+HX D+HX | SCL SQL D+HX SQR SQR D+HX | NOP D+HX Q+HX D+HX | SCL SQL D+HX SQR SQR D+HX | NOP D+HX Q+HX D+HX | SCL SQL D+HX SQR SQR D+HX | RESVRD RESVRD | NOP D+HX Q+HX D+HX | SCL SQL D+HX SQR SQR D+HX | NOP D+HX Q+HX D+HX | SCL SQL D+HX SQR SQR D+HX | NOP D+HX Q+HX D+HX |
| 9 A.OR.B | NOP D+HX Q+HX D+HX | SCL SQL D+HX SQR SQR D+HX | NOP D+HX Q+HX D+HX | SCL SQL D+HX SQR SQR D+HX | NOP D+HX Q+HX D+HX | SCL SQL D+HX SQR SQR D+HX | NOP D+HX Q+HX D+HX | SCL SQL D+HX SQR SQR D+HX | NOP D+HX Q+HX D+HX | SCL SQL D+HX SQR SQR D+HX | RESVRD RESVRD | NOP D+HX Q+HX D+HX | SCL SQL D+HX SQR SQR D+HX | NOP D+HX Q+HX D+HX | SCL SQL D+HX SQR SQR D+HX | NOP D+HX Q+HX D+HX |
| A (A.AND.B).SR | NOP D+HX Q+HX D+HX | SCL SQL D+HX SQR SQR D+HX | NOP D+HX Q+HX D+HX | SCL SQL D+HX SQR SQR D+HX | NOP D+HX Q+HX D+HX | SCL SQL D+HX SQR SQR D+HX | NOP D+HX Q+HX D+HX | SCL SQL D+HX SQR SQR D+HX | NOP D+HX Q+HX D+HX | SCL SQL D+HX SQR SQR D+HX | RESVRD RESVRD | NOP D+HX Q+HX D+HX | SCL SQL D+HX SQR SQR D+HX | NOP D+HX Q+HX D+HX | SCL SQL D+HX SQR SQR D+HX | NOP D+HX Q+HX D+HX |
| B (A.AND.B).SL | NOP D+HX Q+HX D+HX | SCL SQL D+HX SQR SQR D+HX | NOP D+HX Q+HX D+HX | SCL SQL D+HX SQR SQR D+HX | NOP D+HX Q+HX D+HX | SCL SQL D+HX SQR SQR D+HX | NOP D+HX Q+HX D+HX | SCL SQL D+HX SQR SQR D+HX | NOP D+HX Q+HX D+HX | SCL SQL D+HX SQR SQR D+HX | RESVRD RESVRD | NOP D+HX Q+HX D+HX | SCL SQL D+HX SQR SQR D+HX | NOP D+HX Q+HX D+HX | SCL SQL D+HX SQR SQR D+HX | NOP D+HX Q+HX D+HX |
| C B-A-CI | NOP D+HX Q+HX D+HX | SCL SQL D+HX SQR SQR D+HX | NOP D+HX Q+HX D+HX | SCL SQL D+HX SQR SQR D+HX | NOP D+HX Q+HX D+HX | SCL SQL D+HX SQR SQR D+HX | NOP D+HX Q+HX D+HX | SCL SQL D+HX SQR SQR D+HX | NOP D+HX Q+HX D+HX | SCL SQL D+HX SQR SQR D+HX | RESVRD RESVRD | NOP D+HX Q+HX D+HX | SCL SQL D+HX SQR SQR D+HX | NOP D+HX Q+HX D+HX | SCL SQL D+HX SQR SQR D+HX | NOP D+HX Q+HX D+HX |
| D A.XOR.B | NOP D+HX Q+HX D+HX | SCL SQL D+HX SQR SQR D+HX | NOP D+HX Q+HX D+HX | SCL SQL D+HX SQR SQR D+HX | NOP D+HX Q+HX D+HX | SCL SQL D+HX SQR SQR D+HX | NOP D+HX Q+HX D+HX | SCL SQL D+HX SQR SQR D+HX | NOP D+HX Q+HX D+HX | SCL SQL D+HX SQR SQR D+HX | RESVRD RESVRD | NOP D+HX Q+HX D+HX | SCL SQL D+HX SQR SQR D+HX | NOP D+HX Q+HX D+HX | SCL SQL D+HX SQR SQR D+HX | NOP D+HX Q+HX D+HX |
| E A.AND.(.NOT.B) | NOP D+HX Q+HX D+HX | SCL SQL D+HX SQR SQR D+HX | NOP D+HX Q+HX D+HX | SCL SQL D+HX SQR SQR D+HX | NOP D+HX Q+HX D+HX | SCL SQL D+HX SQR SQR D+HX | NOP D+HX Q+HX D+HX | SCL SQL D+HX SQR SQR D+HX | NOP D+HX Q+HX D+HX | SCL SQL D+HX SQR SQR D+HX | RESVRD RESVRD | NOP D+HX Q+HX D+HX | SCL SQL D+HX SQR SQR D+HX | NOP D+HX Q+HX D+HX | SCL SQL D+HX SQR SQR D+HX | NOP D+HX Q+HX D+HX |
| F (.NOT.A).AND.B | NOP D+HX Q+HX D+HX | SCL SQL D+HX SQR SQR D+HX | NOP D+HX Q+HX D+HX | SCL SQL D+HX SQR SQR D+HX | NOP D+HX Q+HX D+HX | SCL SQL D+HX SQR SQR D+HX | NOP D+HX Q+HX D+HX | SCL SQL D+HX SQR SQR D+HX | NOP D+HX Q+HX D+HX | SCL SQL D+HX SQR SQR D+HX | RESVRD RESVRD | NOP D+HX Q+HX D+HX | SCL SQL D+HX SQR SQR D+HX | NOP D+HX Q+HX D+HX | SCL SQL D+HX SQR SQR D+HX | NOP D+HX Q+HX D+HX |

A#AMUX B#BMUX CI#CARRY IN D#D REGISTER DSL#D SHIFTED LEFT DSP#D SHIFTED RIGHT M#M BUS Q#Q REGISTER R#R BUS RESVRD#RESERVED SQL#SHIFT Q LEFT SOR#SHIFT Q RIGHT S#SUPER ROTATOR WB#WBUS WX#WMUX XM#SIGN/ZERO EXTENDED MBUS

OUTPUT DISABLE SPECIAL OPERATION DQ MICRO ORDER

TITLE: ALPCTL FUNCTION CHART SIZE CODE: D BD NUMBER: 10002-0-27 REV: B SHEET: 1 OF 1 DIST:

| DRAWING NO. | NO. OF SHTS. | PART NO. | DESCRIPTION | REVISIONS | | | | | | | | | | | | | | | | | | | |
|------------------|--------------|----------|--------------------------------|-----------|---|---|---|--|--|--|--|--|--|--|--|--|--|--|--|--|--|--|--|
| | | | | B | C | D | E | | | | | | | | | | | | | | | | |
| | | | MODULE REVISION | B | C | D | E | | | | | | | | | | | | | | | | |
| B-DD-L0003-0 | 3 | | MIC DRAWING DIRECTORY | B | C | D | E | | | | | | | | | | | | | | | | |
| E-UA-L0003-0-0 | 2 | | MIC UNIT ASSEMBLY | B | C | D | E | | | | | | | | | | | | | | | | |
| K-PL-L0003-0-DBP | 2 | | MIC PARTS LIST | B | C | D | E | | | | | | | | | | | | | | | | |
| E-MD-5013693-0-0 | 6 | | MIC DRILL & ETCH DRAWINGS | B | B | C | C | | | | | | | | | | | | | | | | |
| | | 5013693 | ETCHED BOARD | C | C | D | D | | | | | | | | | | | | | | | | |
| K-PC-L0003-0-DBI | | | MIC PC DESIGN DATA BASE IDEA | C | C | D | D | | | | | | | | | | | | | | | | |
| E-EC-5013693-0-0 | 3 | | MIC ETCH CUT DRAWINGS | B | B | C | D | | | | | | | | | | | | | | | | |
| K-CS-L0003-0-DBS | | | MIC DESIGN DATA BASE SUDS | B | C | D | E | | | | | | | | | | | | | | | | |
| D-CS-L0003-0-1 | 1 | * | DATA ROUTING & ALIGNMENT SHT 1 | B | B | B | B | | | | | | | | | | | | | | | | |
| D-CS-L0003-0-2 | 1 | * | DATA ROUTING & ALIGNMENT SHT 2 | B | B | B | B | | | | | | | | | | | | | | | | |
| D-CS-L0003-0-3 | 1 | * | MEMORY ADDRESS | B | B | B | B | | | | | | | | | | | | | | | | |
| D-CS-L0003-0-4 | 1 | * | MISC. CONTROL | B | B | B | B | | | | | | | | | | | | | | | | |
| D-CS-L0003-0-5 | 1 | * | MEMORY INTERFACE CS LATCHES | B | B | B | B | | | | | | | | | | | | | | | | |
| D-CS-L0003-0-6 | 1 | * | MEMORY INTERFACE CONTROL SHT 1 | B | B | B | B | | | | | | | | | | | | | | | | |
| D-CS-L0003-0-7 | 1 | * | MEMORY INTERFACE CONTROL SHT 2 | B | C | B | B | | | | | | | | | | | | | | | | |
| D-CS-L0003-0-8 | 1 | * | CACHE TAG STORE | B | B | B | B | | | | | | | | | | | | | | | | |
| D-CS-L0003-0-9 | 1 | * | CACHE DATA STORE BYTES 3 & 2 | B | B | B | B | | | | | | | | | | | | | | | | |
| D-CS-L0003-0-10 | 1 | * | CACHE DATA STORE BYTES 1 & 0 | B | B | B | B | | | | | | | | | | | | | | | | |
| D-CS-L0003-0-11 | 1 | * | CACHE CONTROL | B | B | B | B | | | | | | | | | | | | | | | | |
| D-CS-L0003-0-12 | 1 | * | CACHE TAG PARITY | B | B | B | B | | | | | | | | | | | | | | | | |
| D-CS-L0003-0-13 | 1 | * | CACHE TAG PARITY | B | B | B | B | | | | | | | | | | | | | | | | |
| D-CS-L0003-0-14 | 1 | * | TB TAG | B | B | B | B | | | | | | | | | | | | | | | | |
| D-CS-L0003-0-15 | 1 | * | TB DATA STORE | B | B | B | B | | | | | | | | | | | | | | | | |
| D-CS-L0003-0-16 | 1 | * | TB CONTROL | B | B | C | C | | | | | | | | | | | | | | | | |

NOTES: * CONTROL SOURCE IS THE SUDS DATA BASE
 NO CONTROLLED PAPER ORIGINALS EXIST

ALL DOCUMENTATION WAS RELEASED AT REVISION 'B'

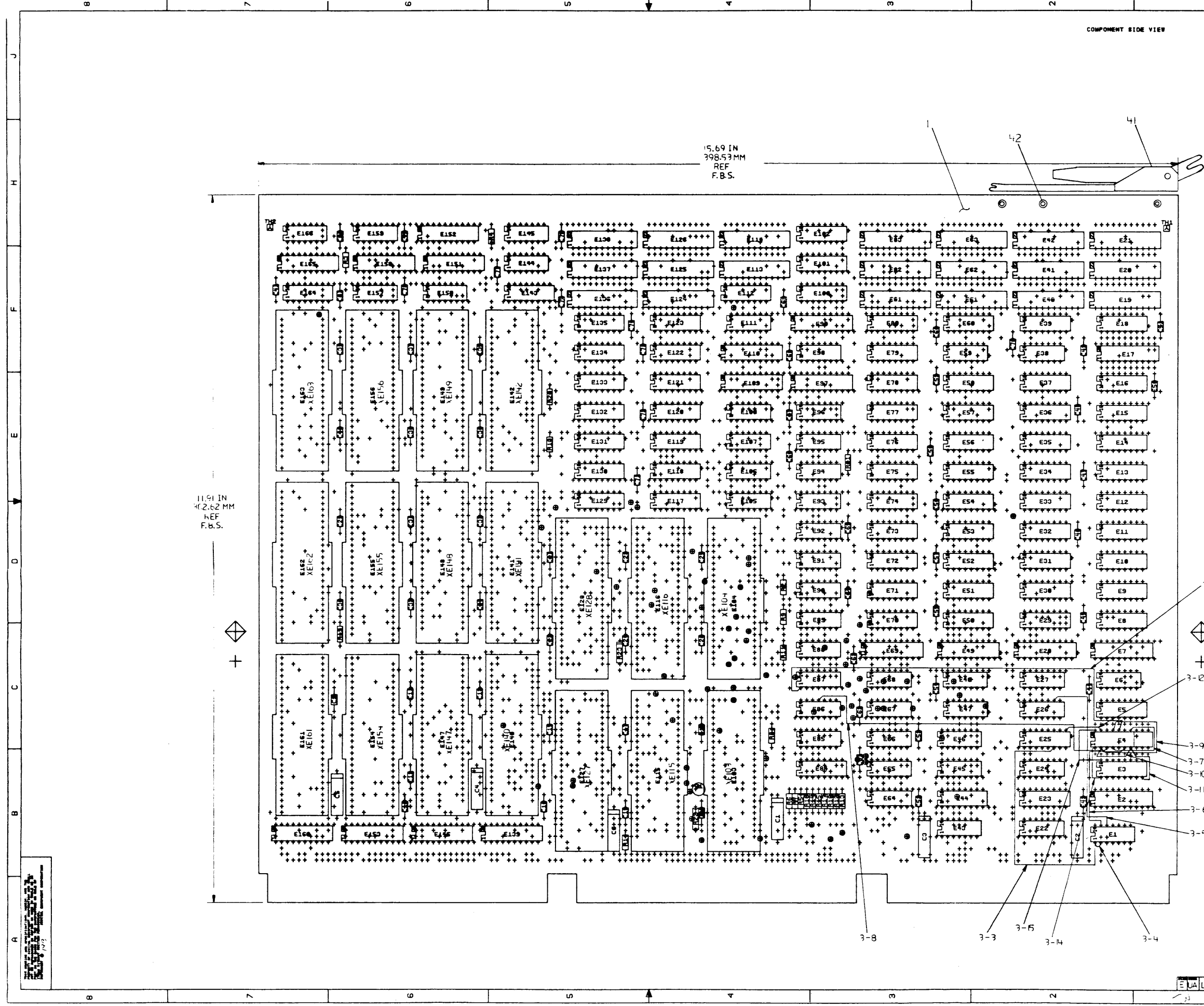
| DATE | CHG NO. | REV. | REVISIONS | | | | | | | | | | | | | | | | | | | |
|-------|---------|------|-----------|---|---|--|--|--|--|--|--|--|--|--|--|--|--|--|--|--|--|--|
| | | | C | D | E | | | | | | | | | | | | | | | | | |
| 12-80 | TW001 | | | | | | | | | | | | | | | | | | | | | |
| 11-81 | TW002 | | | | | | | | | | | | | | | | | | | | | |
| 10-82 | TW003 | | | | | | | | | | | | | | | | | | | | | |

"THIS DRAWING AND SPECIFICATIONS, HEREIN, ARE THE PROPERTY OF DIGITAL EQUIPMENT CORPORATION AND SHALL NOT BE REPRODUCED OR COPIED OR USED IN WHOLE OR IN PART AS THE BASIS FOR THE MANUFACTURE OR SALE OF ITEMS WITHOUT WRITTEN PERMISSION.

COPYRIGHT © 1980 DIGITAL EQUIPMENT CORPORATION



| | | |
|--------------------------------|-----------------|----------------------------------|
| USED ON OPTION/MODEL 11/750 | DRN. J. CASEY | TITLE MIC |
| | CHK'D J. CASEY | SIZE CODE NUMBER B DD L0003-0 |
| | ENG. P. BINTER | REV. E |
| | PROD. V. PARKER | SHEET 1 OF 3 |



| | | |
|-------------------------|--------------|---------|
| SIGNATURES | DATE | digital |
| CHK. D. [Signature] | 7/1/77 | |
| REC'D. ENG. [Signature] | 7/1/77 | |
| PROJ. ENG. [Signature] | 7/1/77 | |
| DATE | 7/1/77 | |
| FILE | 7/1/77 | |
| REV. OF | 2 | |
| PROJECT NUMBER | UA L0003-0-0 | |
| REV. NO. | 0 | |

| | |
|-----------------|------------------------------------|
| NOTES: | 1. PAPER LOCATION IS 17 |
| | 2. 1/8" V. 30/45 LARGER ON ALL SLS |
| CHANGE NO. REV. | |
| 3-13 | |
| 3-12 | |
| 3-9 | |
| 3-7 | |
| 3-0 | |
| 3-11 | |
| 3-6 | |
| 3-5 | |
| 3-8 | |
| 3-3 | |
| 3-5 | |
| 3-14 | |
| 3-4 | |

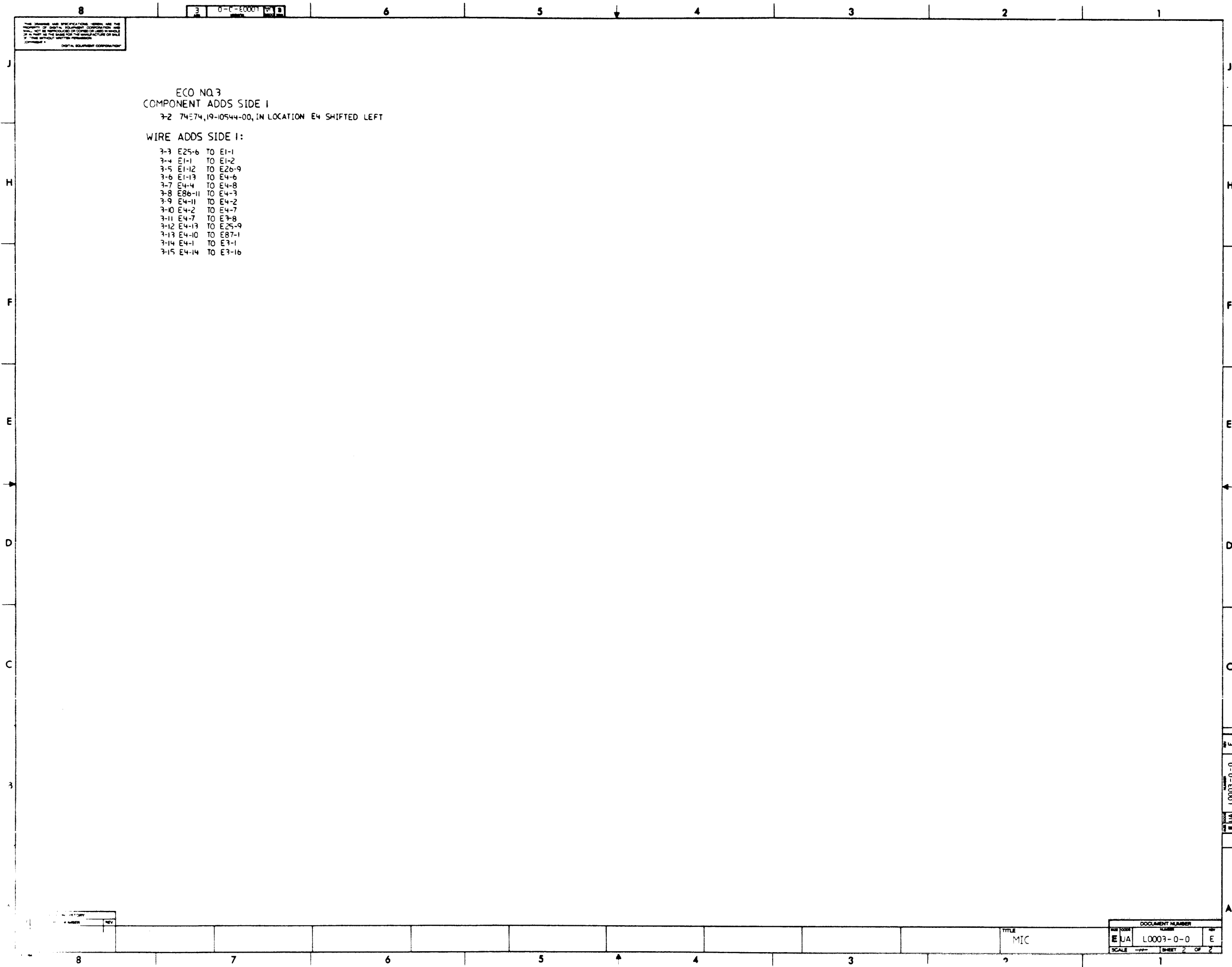
UA L0003-0-0

THE DIMENSIONS AND SPECIFICATIONS HEREIN ARE THE PROPERTY OF DIGITAL EQUIPMENT CORPORATION AND SHALL NOT BE REPRODUCED OR COPIED OR USED IN WHOLE OR IN PART AS THE BASIS FOR THE MANUFACTURE OR SALE OF THIS WITHOUT WRITTEN PERMISSION.
DIGITAL EQUIPMENT CORPORATION

ECO NO.3
COMPONENT ADDS SIDE 1
7-2 74574,19-10544-00, IN LOCATION E4 SHIFTED LEFT

WIRE ADDS SIDE 1:

- 3-3 E25-6 TO E1-1
- 3-4 E1-1 TO E1-2
- 3-5 E1-12 TO E26-9
- 3-6 E1-13 TO E4-6
- 3-7 E4-4 TO E4-8
- 3-8 E86-11 TO E4-3
- 3-9 E4-11 TO E4-2
- 3-10 E4-2 TO E4-7
- 3-11 E4-7 TO E3-8
- 3-12 E4-13 TO E25-9
- 3-13 E4-10 TO E87-1
- 3-14 E4-1 TO E3-1
- 3-15 E4-14 TO E3-16



| | |
|------|--|
| REV | |
| DATE | |

| | |
|--------------|--|
| SCALE | |
| SHEET 2 OF 2 | |

TITLE
MIC

| | |
|-----------------|-----------|
| DOCUMENT NUMBER | L0003-0-0 |
| DATE | E |

AUTOMATED BY PRTLST.3L(32)

PARTS LIST

SHEET A1 OF A2

| LINE | ITEM | DOCUMENT NUMBER | PART NUMBER | DESCRIPTION | QTY | PER VARIATION | REFERENCE DESIGNATOR |
|------|------|------------------|-------------|------------------------------|-----|---------------|------------------------------------|
| 1 | 1 | E-MD-5013693-0-0 | 5013693-00 | DRILL & ETCH DRAWING | 1 | | |
| 2 | 2 | | 1012784-00 | .047 MFD 50V +80-20% CER | 69 | | C9-C23, C25, C26, C29-C41, C43-C81 |
| 3 | 3 | SEE NOTES | 1012084-01 | 8 MFD 25V +75-10% AL EL | 6 | | C1-C6 |
| 4 | 4 | | 1313580-00 | 360.0 .25 W 5.0 % CC | 18 | | R1-R18 |
| 5 | 5 | | 1910532-00 | 74500 NAND GATE-QUAD 2IN | 1 | | E65 |
| 6 | 6 | | 1910534-00 | 74504 INVERTER GATE-HEX 1I | 2 | | E85, E87 |
| 7 | 7 | | 1910536-00 | 74510 NAND GATE-TRIPLE 3IN | 1 | | E91 |
| 8 | 8 | | 1910542-00 | 74564 A-0-1 GATE 4-2-3-2 | 3 | | E24, E47, E89 |
| 9 | 9 | | 1910547-00 | 745153 MUX 1 OF 4 (DUAL) | 3 | | E100-E102 |
| 10 | 10 | | 1910549-00 | 745158 MUX 1 OF 2 (QUAD) | 2 | | E5, E79 |
| 11 | 11 | | 1910541-00 | 74540 NAND GATE-DUAL 4IN, B | 1 | | E38 |
| 12 | 12 | | 1910957-00 | 745175 FF-D QUAD COMMON CLO | 3 | | E3, E23, E25 |
| 13 | 13 | | 1911573-00 | 745280 PARITY GEN/CHKR, 9BIT | 17 | | E6, E27, E48, E59, E68, E98, |
| | | | | | | CONT | E105-E108, E111, E144, E145, E150, |
| | | | | | | CONT | E157, E159, E166 |
| 14 | 14 | | 1911641-00 | SN 745257 MUX, QUAD 2 TO 1 | 4 | | E18, E39, E60, E80 |
| 15 | 15 | | 1911712-00 | 74551 AND-OR GATE-INVERT D | 2 | | E26, E92 |
| 16 | 16 | | 1916310-00 | RAM, 256X1, TRI STATE | 2 | | E112, E143 |
| 17 | 17 | | 1912096-00 | DEC 74586 XOR GATE, QUAD 2IN | 1 | | E96 |
| 18 | 18 | | 1912097-00 | SN 745182 LOOK AHD CARRY GEN | 1 | | E164 |
| 19 | 19 | | 1912388-00 | 74502 NOR GATE-QUAD 2IN, PO | 1 | | E88 |
| 20 | 20 | | 1912389-00 | 74508 AND GATE-QUAD 2IN, PO | 1 | | E90 |
| 21 | 21 | | 1912746-00 | DEC 74537 NAND GATE-QUAD 2IN | 2 | | E94, E95 |
| 22 | 22 | | 1913340-00 | 74532 OR GATE-QUAD 2IN | 2 | | E22, E93 |
| 23 | 23 | | 1913493-00 | 745241 OCTAL BUFFER, TRI-STA | 5 | | E7, E28, E49, E69, E97 |
| 24 | 24 | | 1913662-00 | RAM 1KX1 16 PIN TT | 50 | | E8-E16, E29-E37, E50-E58, E70-E78, |
| | | | | | | CONT | E117-E123, E129-E135 |
| 25 | 25 | | 1913671-00 | 745374 FF-D OCTAL TRISTATE | 5 | | E2, E139, E146, E153, E160 |
| 26 | 26 | | 1913839-00 | 74LS165 SHIFT REG. 8BIT | 2 | | E44, E84 |
| 27 | 27 | | 1913888-00 | DC 102A EQUALS CHECKER 8BIT | 6 | | E109, E110, E151, E152, E158, E165 |

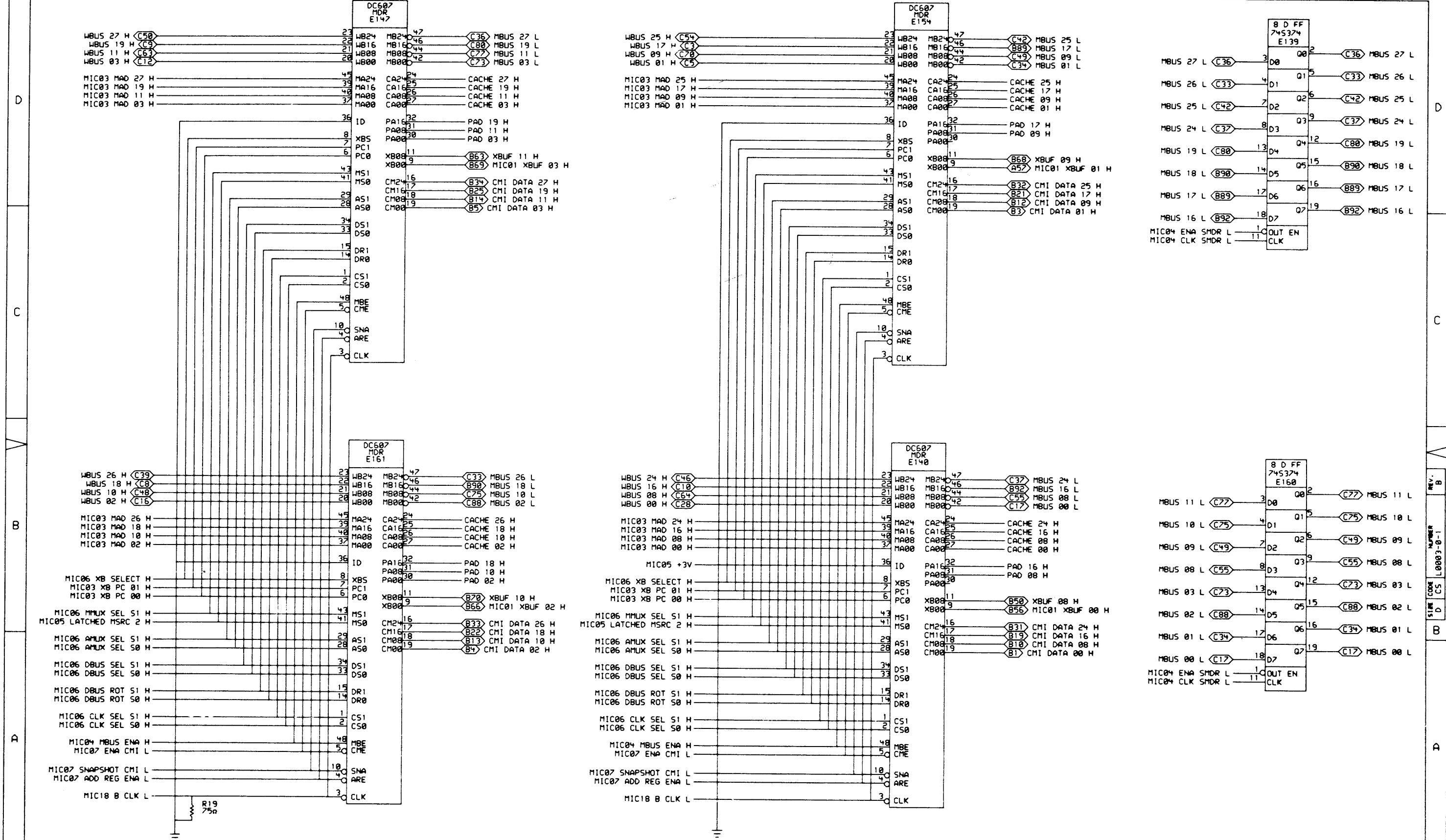
| | | | | | | | |
|------------------|-----|----------------------|-------------------------|-------------------------|----------------------|----------------------|------------------|
| REVISION HISTORY | | BASIC PART NO: L0003 | | DRN: D.SIREEN | DATE: 31-MAY-79 | DIGITAL | |
| ENG: ECO NUMBER | REV | SECTION A OF A | SECTION VARIATION INDEX | CHK'D: F.CAROFALO | DATE: 31-MAY-79 | TITLE PARTS LIST | |
| INITIAL | B | | [A] 00 | | | MIC | |
| D.L. L0003-TW001 | C | | [B] | DES. ENG: P.BINDER | DATE: 31-MAY-79 | | |
| | | | [C] | | | DOCUMENT NUMBER | |
| | | | [D] | RESP. ENG.: P.BINDER | DATE: 31-MAY-79 | | |
| | | | [E] | | | SIZE CODE NUMBER REV | |
| | | | [F] | MFG. ENG.: VANCE PARKER | DATE: 8-FEB-80 | K | PL L0003-0-DBP C |
| | | | [H] | | | | |
| | | | [J] | ASSEMBLY NUMBER: | TOP DOCUMENT NUMBER: | FILE NAME: | EDIT # |
| | | | [L] | E-UA-L0003-0-0 | B-DD-L0003-0-0 | Z1258.PLS | 11 |
| | | | [M] | | | | |
| | | | [N] | | | | |

"THIS DRAWING AND SPECIFICATIONS HEREIN, ARE THE PROPERTY OF DIGITAL EQUIPMENT CORPORATION AND SHALL NOT BE REPRODUCED OR COPIED OR USED IN WHOLE OR IN PART AS THE BASIS FOR THE MANUFACTURE OR SALE OF ITEMS WITHOUT WRITTEN PERMISSION. COPYRIGHT (C) 1980. DIGITAL EQUIPMENT CORPORATION"

| LINE ITEM | DOCUMENT NUMBER | PART NUMBER | DESCRIPTION | QTY PER VARIATION 00 | REFERENCE DESIGNATOR |
|-----------|-----------------|-------------|----------------------------------|-------------------------|--|
| 28 | 28 | 1914085-00 | 74S260 NOR GATE-DUAL, POS | 3 | E45, E67, E86 |
| 29 | 29 | 1914086-00 | 74S30 NAND GATE-POS 8IN | 1 | E64 |
| 30 | 30 | 1914681-00 | DC 6078 BIPOLAR, LS, 400-GATE | 8 | E140, E141, E147, E148, E154, E155, CONT E161, E162 |
| 31 | 31 | 1914683-00 | DC 609E BIPOLAR, LS, 400-GATE | 4 | E142, E149, E156, E163 |
| 32 | 32 | 1914697-00 | DC 623C BIPOLAR, LS, 400-GATE | 1 | E103 |
| 33 | 33 | 1914698-00 | DC 624E BIPOLAR, LS, 400-GATE | 1 | E128 |
| 34 | 34 | 1914699-00 | DC 625B BIPOLAR, LS, 400-GATE | 1 | E127 |
| 35 | 35 | 1914700-00 | DC 626B BIPOLAR, LS, 400-GATE | 1 | E116 |
| 36 | 36 | 1914701-00 | DC 627B BIPOLAR, LS, 400-GATE | 1 | E104 |
| 37 | 37 | 1914702-00 | DC 628B BIPOLAR, LS, 400-GATE | 1 | E115 |
| 38 | 38 | 1915193-00 | LS244 DRIVER, LINE OCTAL T | 1 | E99 |
| 39 | 39 | 1915697-00 | RAM 256X4 TRI-STATE | 20 | E19-E21, E40-E42, E61-E63, E81-E83, CONT E113, E114, E124-E126, E136-E138 E66 |
| 40 | 40 | 1910537-00 | 74S11 AND GATE-TRIPLE 3INP | 1 | |
| 41 | 41 | 1210711-02 | /REPLACED BY 12-16988-02 | 1 | |
| 42 | 42 | 9000024-01 | EYELET, ROLLED FLANGE .121 OD X | 12 | |
| 43 | 43 | 1503121-00 | 2N 2369 NPN 350MW SI N | 1 | Q1 |
| 44 | 44 | 1302379-00 | 75.0 .25 W 5.0 % CC | 4 | R19-R21, R23 |
| 45 | 45 | 9009185-00 | JUMPER, WIRE, INSULATED, BLACK B | 1 | R22 |
| 46 | 46 | 1910544-00 | 74S74 FF-D DUAL EDGE TRIGG | 1 | E46 |
| 47 | 47 | 1910878-00 | 7427 NOR GATE-TRIPLE 3IN | 2 | E43, E1 |
| 48 | 48 | 1215924-00 | SOCKET IC W/METAL CONT | 18 | CONT XE103, XE104, XE115, XE116, XE127, XE128, XE140-XE142, XE147-XE149, CONT XE154-XE156, XE161-XE163 |
| 49 | 49 | 1215935-00 | GASKET, THERMAL .50"X.80" | 18 | |
| 50 | 50 | 1215936-00 | HEAT SINK, FORCED CONVECTION | 18 | |

51 NOTE: SPARE I.C. LOCATIONS ARE E4, E17
 52 NOTE: SOME MODULES WILL HAVE 10-05306 INSTEAD OF 10-12084-01

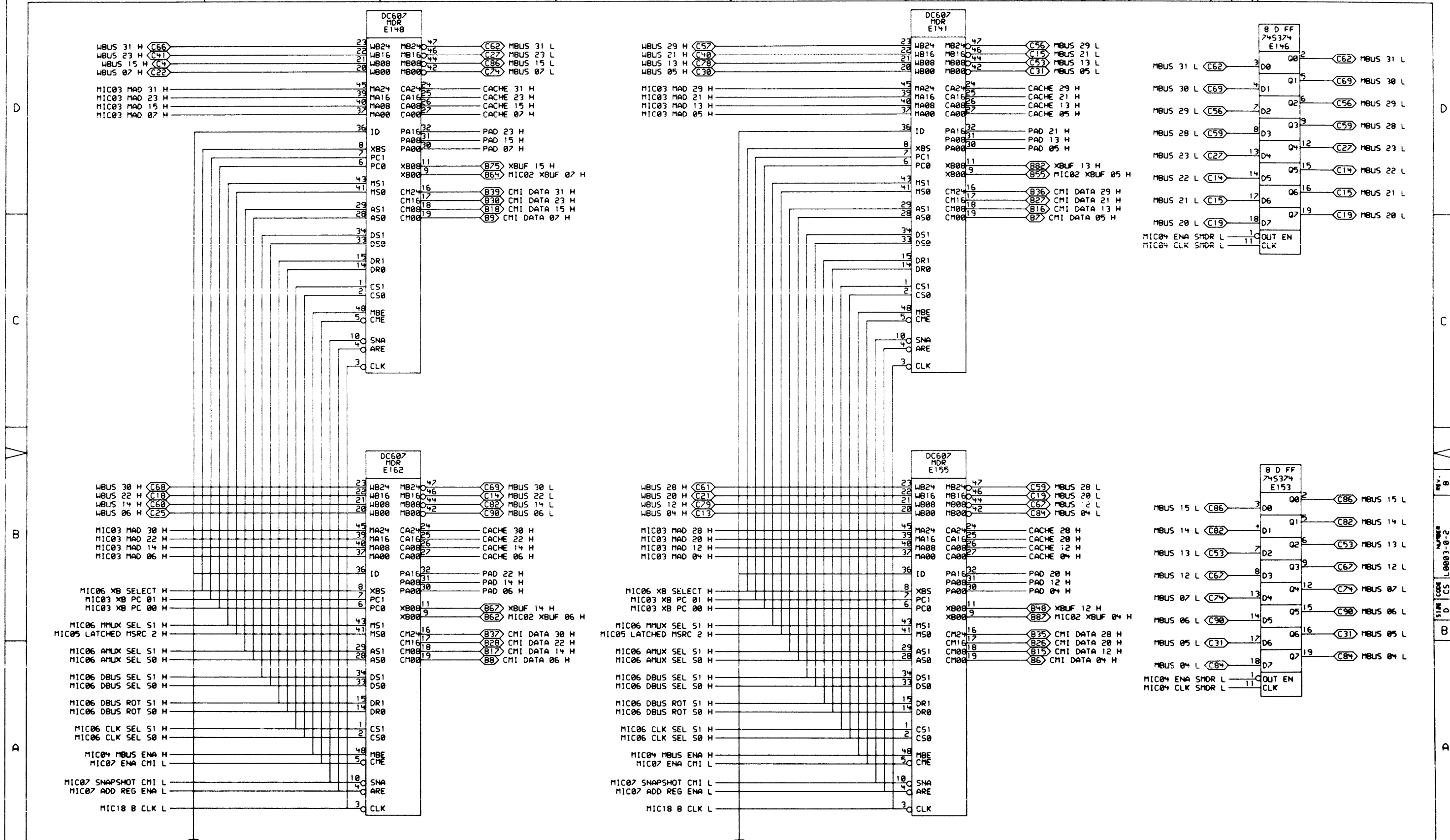
| | | | | | | | | | | | | |
|---|---|---|---|---|---|---|-------|----------------|------|------|-----------------|-----|
| D | I | G | I | T | A | L | TITLE | SECTION A OF A | SIZE | CODE | DOCUMENT NUMBER | REV |
| | | | | | | | MIC | | K | PL | L0003-0-DBP | C |



THIS DRAWING AND SPECIFICATIONS HEREIN ARE THE PROPERTY OF DIGITAL EQUIPMENT CORPORATION AND SHALL NOT BE REPRODUCED OR COPIED OR USED IN WHOLE OR IN PART AS THE BASIS FOR THE MANUFACTURE OR SALE OF ITEMS WITHOUT WRITTEN PERMISSION. COPYRIGHT © 1989 DIGITAL EQUIPMENT CORPORATION.

| REVISIONS | |
|-----------|----------------|
| CHK | CHANGE NO. REV |
| | |

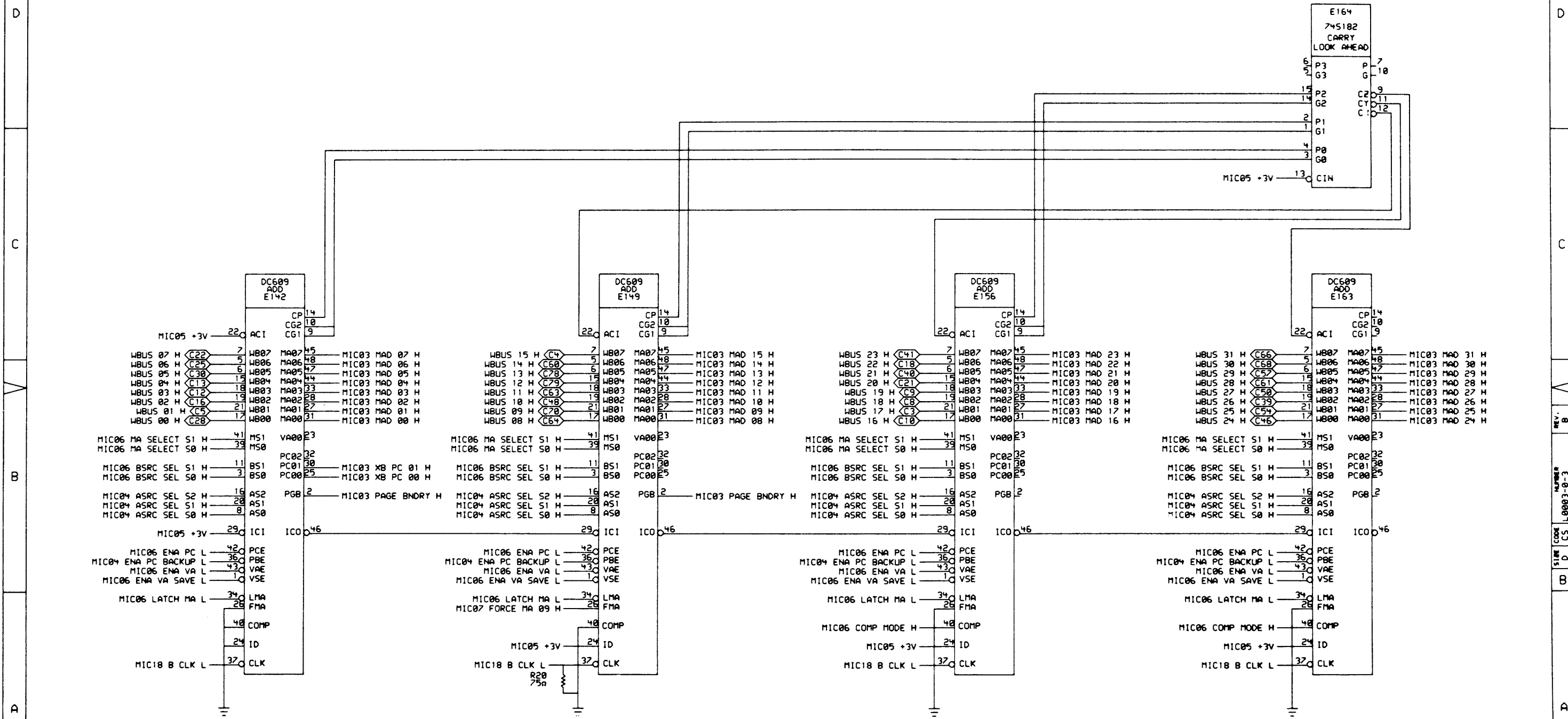
| | | | | | |
|------------------------------------|------------------|--------------------------------------|---------------------|----------------|--------------------------------------|
| digital | DRN. <i>W.M.</i> | DATE 26-7-88 | ENG. | DATE | TITLE: DATA ROUTING & ALIGNMENT SHT1 |
| | CHK'D. | DATE | BOARD LOCATION: AC3 | SHEET 1 OF 1 | |
| FIRST USED ON OPTION/MODEL: 11/750 | | NEXT HIGHER ASSEMBLY: B-DD-L0003-0-0 | | SIZE CODE D CS | NUMBER L0003-0-1 |



THIS DRAWING AND SPECIFICATIONS ARE THE PROPERTY OF DIGITAL EQUIPMENT CORPORATION AND SHALL NOT BE REPRODUCED OR COPIED OR USED IN WHOLE OR IN PART AS THE BASIS FOR THE MANUFACTURE OR SALE OF ITEMS WITHOUT WRITTEN PERMISSION. COPYRIGHT © 1988, DIGITAL EQUIPMENT CORPORATION

| REVISIONS | | |
|-----------|------------|-----|
| CHK | CHANGE NO. | REV |
| | | |

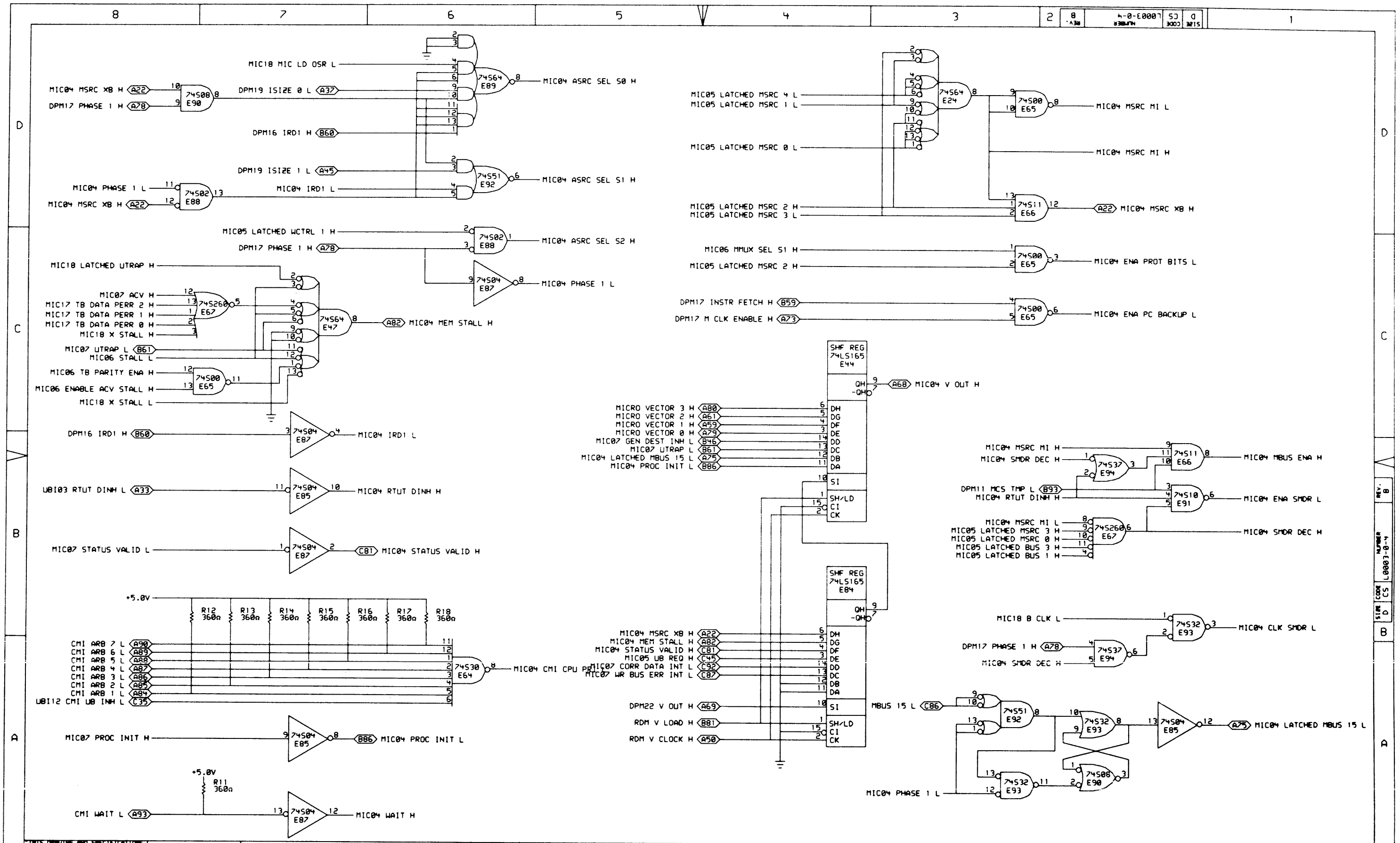
| | | | | | |
|------------------------------------|------------------|------|--------------------------------------|--------------|--|
| digital | DRN. <i>G.M.</i> | DATE | ENG. | DATE | TITLE: DATA ROUTING & ALIGNMENT SHT2 |
| | CHK'D. | DATE | BOARD LOCATION: AC3 | SHEET 1 OF 1 | SIZE CODE NUMBER REV. D CS L0003-0-2 B |
| FIRST USED ON OPTION/MODEL: 11/750 | | | NEXT HIGHER ASSEMBLY: B-DD-L0003-0-0 | | |



THIS DRAWING AND SPECIFICATIONS HEREIN ARE THE PROPERTY OF DIGITAL EQUIPMENT CORPORATION AND SHALL NOT BE REPRODUCED OR COPIED OR USED IN WHOLE OR IN PART AS THE BASIS FOR THE MANUFACTURE OR SALE OF ITEMS WITHOUT WRITTEN PERMISSION. COPYRIGHT © 1980, DIGITAL EQUIPMENT CORPORATION.

| REVISIONS | | |
|-----------|------------|------|
| CHK | CHANGE NO. | REV. |
| | | |

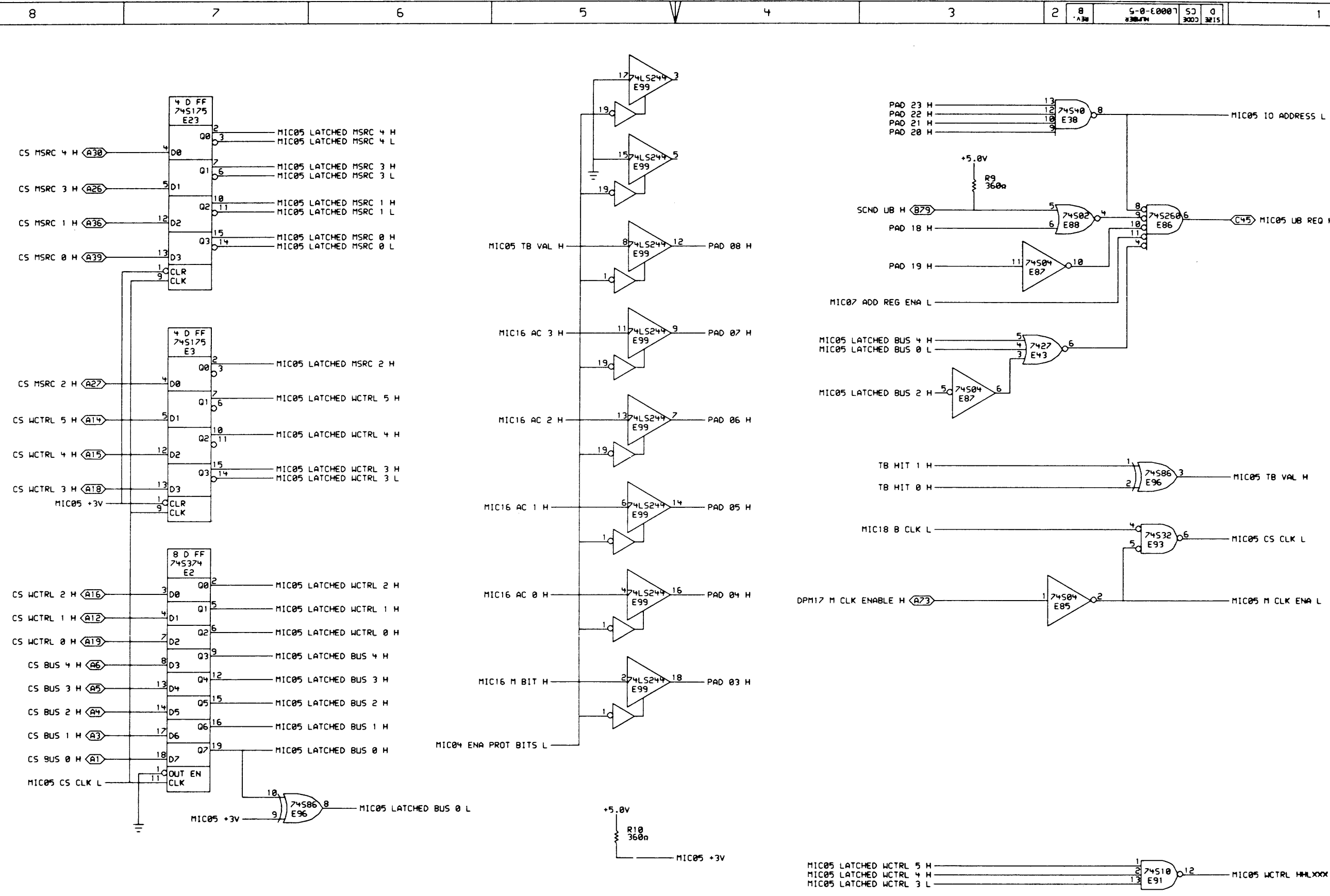
| | | | | | |
|------------------------------------|-----------------|-----------------|--------------------------------------|----------------|-----------------------|
| digital | DRN. <i>WJM</i> | DATE | ENG. | DATE | TITLE: MEMORY ADDRESS |
| | CHK'D. | DATE | BOARD LOCATION: AC3 | SHEET | OF |
| FIRST USED ON OPTION/MODEL: 11/750 | | 17-FEB-80 15:30 | NEXT HIGHER ASSEMBLY: B-DD-L0003-0-0 | SIZE CODE D CS | NUMBER L0003-0-3 |
| | | | | REV. B | |



THIS DRAWING AND SPECIFICATIONS ARE THE PROPERTY OF DIGITAL EQUIPMENT CORPORATION AND SHALL NOT BE REPRODUCED OR COPIED OR USED IN WHOLE OR IN PART AS THE BASIS FOR THE MANUFACTURE OR SALE OF ITEMS WITHOUT WRITTEN PERMISSION. COPYRIGHT © 1980, DIGITAL EQUIPMENT CORPORATION.

| REVISIONS | | |
|-----------|------------|-----|
| CHK | CHANGE NO. | REV |
| | | |

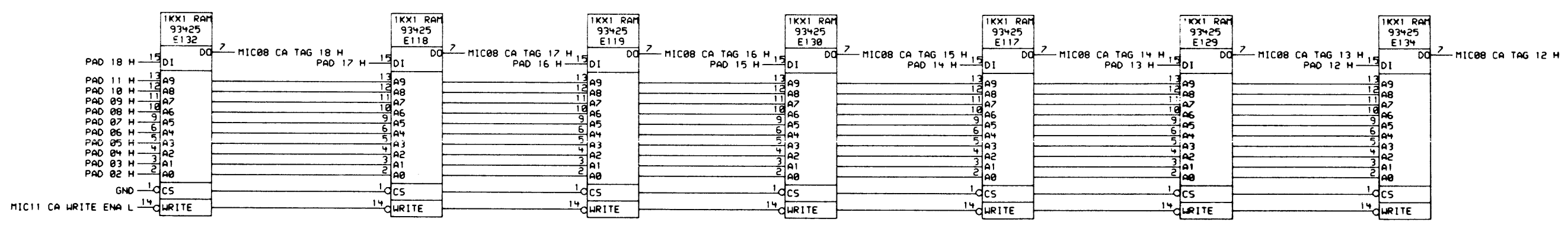
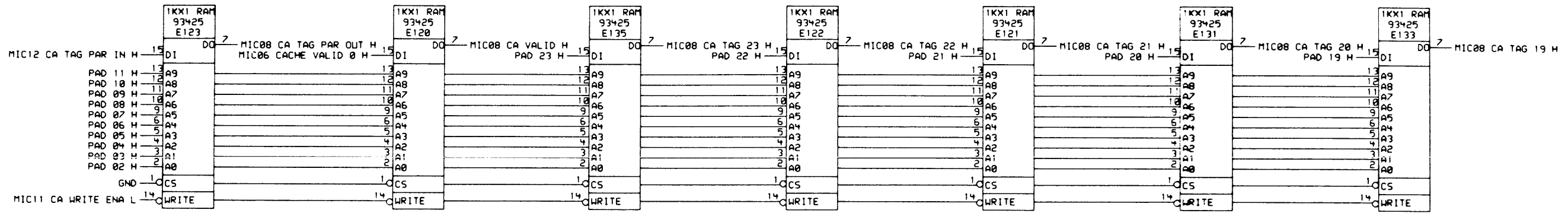
| | | | | | |
|---------------------------------------|-----------------|--------------------------------------|---------------------|----------------|---------------------|
| digital | DRN. <i>WJM</i> | DATE 26-MAR-80 | ENG. | DATE | TITLE: MISC CONTROL |
| | CHK'D. | DATE | BOARD LOCATION: AC3 | SHEET 1 OF 1 | |
| [160,1271] MIC04.DRW 117-FEB-80 15:32 | | NEXT HIGHER ASSEMBLY: B-DD-L0003-0-0 | | SIZE CODE D C3 | NUMBER L0003-0-4 |
| FIRST USED ON OPTION MODEL: 117750 | | | | REV. B | |



THIS DRAWING AND SPECIFICATIONS ARE THE PROPERTY OF DIGITAL EQUIPMENT CORPORATION AND SHALL NOT BE REPRODUCED OR COPIED OR USED IN WHOLE OR IN PART AS THE BASIS FOR THE MANUFACTURE OR SALE OF ITEMS WITHOUT WRITTEN PERMISSION. COPYRIGHT © 1980, DIGITAL EQUIPMENT CORPORATION.

| REVISIONS | CHK | CHANGE NO. | REV |
|-----------|-----|------------|-----|
| | | | |

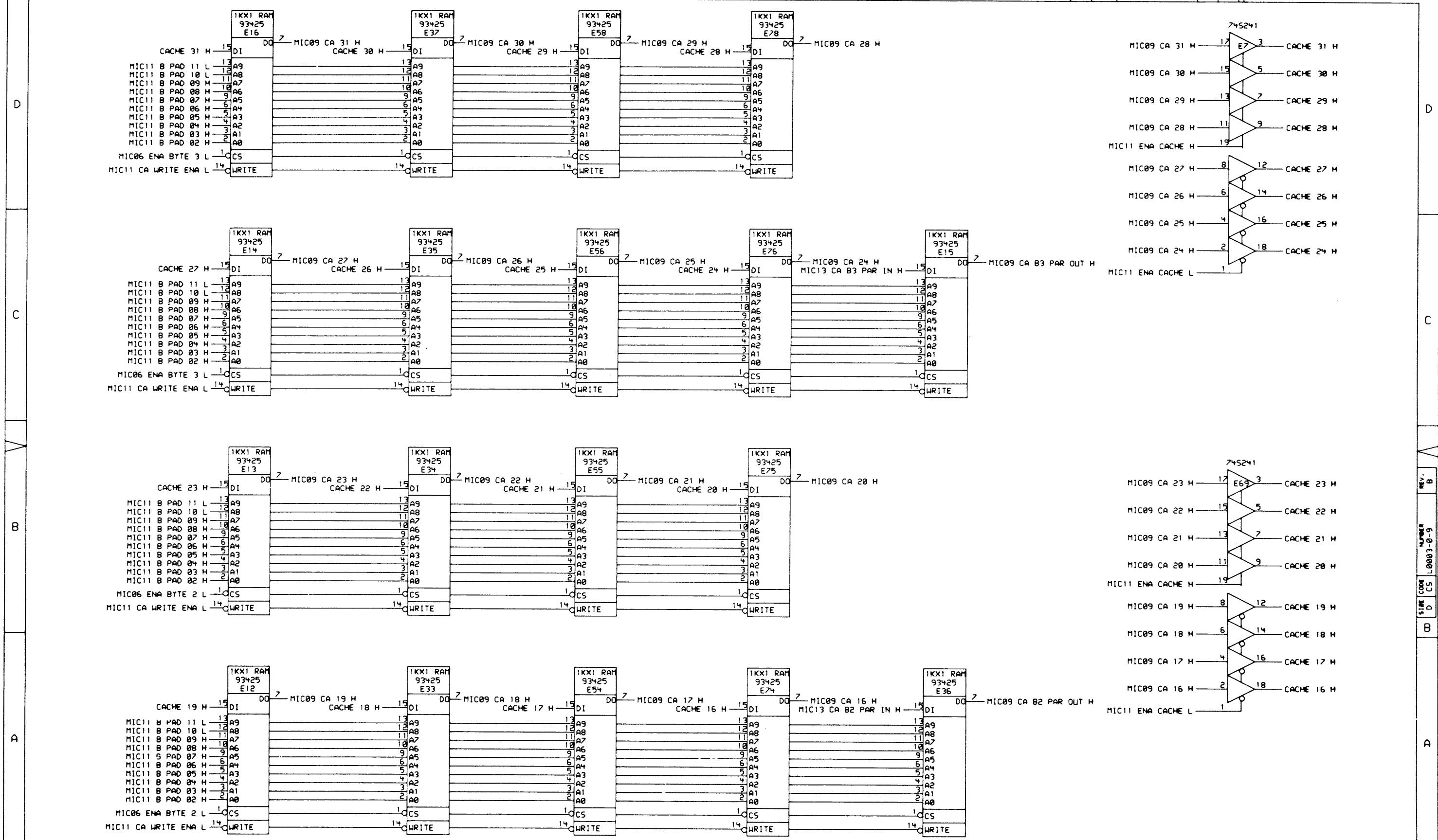
| | | | | | |
|-------------------------------------|-----------------|--------------------------------------|---------------------|--------------|------------------------------------|
| | DRN. <i>WJM</i> | DATE | ENG. | DATE | TITLE: MEMORY INTERFACE CS LATCHES |
| | CHK'D. | DATE | BOARD LOCATION: AC3 | SHEET 1 OF 1 | |
| [160,1271]MIC05.DRW 17-FEB-80 15:34 | | NEXT HIGHER ASSEMBLY: B-DD-L0003-0-0 | | SIZE CODE | NUMBER |
| FIRST USED ON OPTION/MODEL: 11/750 | | | | D CS | L0003-0-5 |
| | | | | | REV. B |



THIS DRAWING AND SPECIFICATIONS HEREIN ARE THE PROPERTY OF DIGITAL EQUIPMENT CORPORATION AND SHALL NOT BE REPRODUCED OR COPIED OR USED IN WHOLE OR IN PART AS THE BASIS FOR THE MANUFACTURE OR SALE OF ITEMS WITHOUT WRITTEN PERMISSION. COPYRIGHT © 1980, DIGITAL EQUIPMENT CORPORATION.

| REVISIONS | |
|-----------|----------------|
| CHK | CHANGE NO. REV |
| | |

| | | | | | |
|------------------------------------|-----------------|--------------------------------------|---------------------|----------------|------------------------|
| digital | DRN. <i>WJM</i> | DATE 25-FEB-80 | ENG. | DATE | TITLE: CACHE TAG STORE |
| | CHK'D. | DATE | BOARD LOCATION: AC3 | SHEET | OF |
| FIRST USED ON OPTION/MODEL: 11/750 | | NEXT HIGHER ASSEMBLY: B-DD-L0003-0-0 | | SIZE CODE D CS | NUMBER L0003-0-8 |
| | | | | | REV. B |

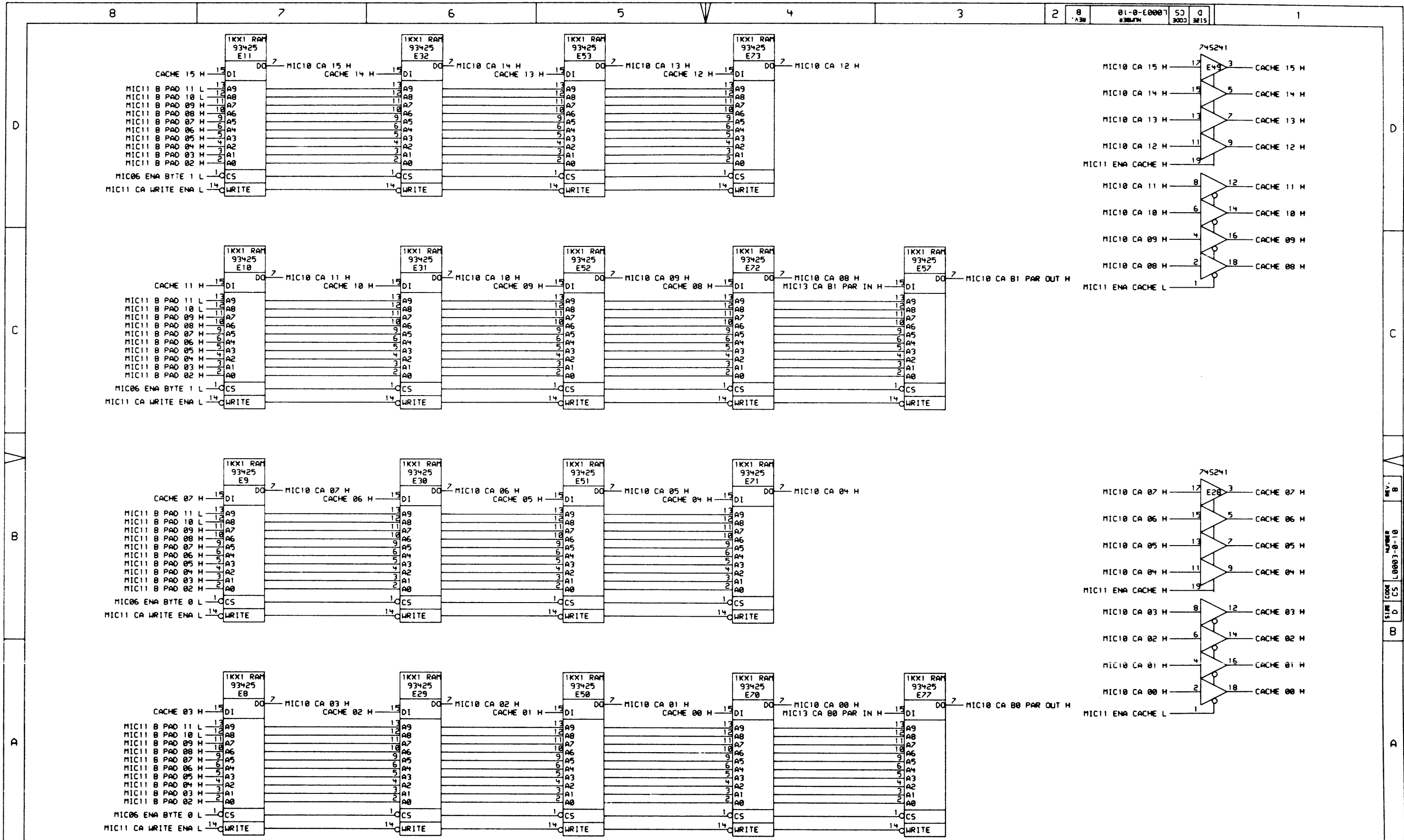


THIS DRAWING AND SPECIFICATIONS
HEREIN ARE THE PROPERTY OF
DIGITAL EQUIPMENT CORPORATION AND
SHALL NOT BE REPRODUCED OR COPIED
OR USED IN WHOLE OR IN PART AS
THE BASIS FOR THE MANUFACTURE OR
SALE OF ITEMS WITHOUT WRITTEN
PERMISSION. COPYRIGHT © 1988
DIGITAL EQUIPMENT CORPORATION

| REVISIONS | |
|-----------|----------------|
| CHK | CHANGE NO. REV |
| | |

| | | | | | | | |
|--|--|--|--|--|--|--|--|
| | | | | | | | |
|--|--|--|--|--|--|--|--|

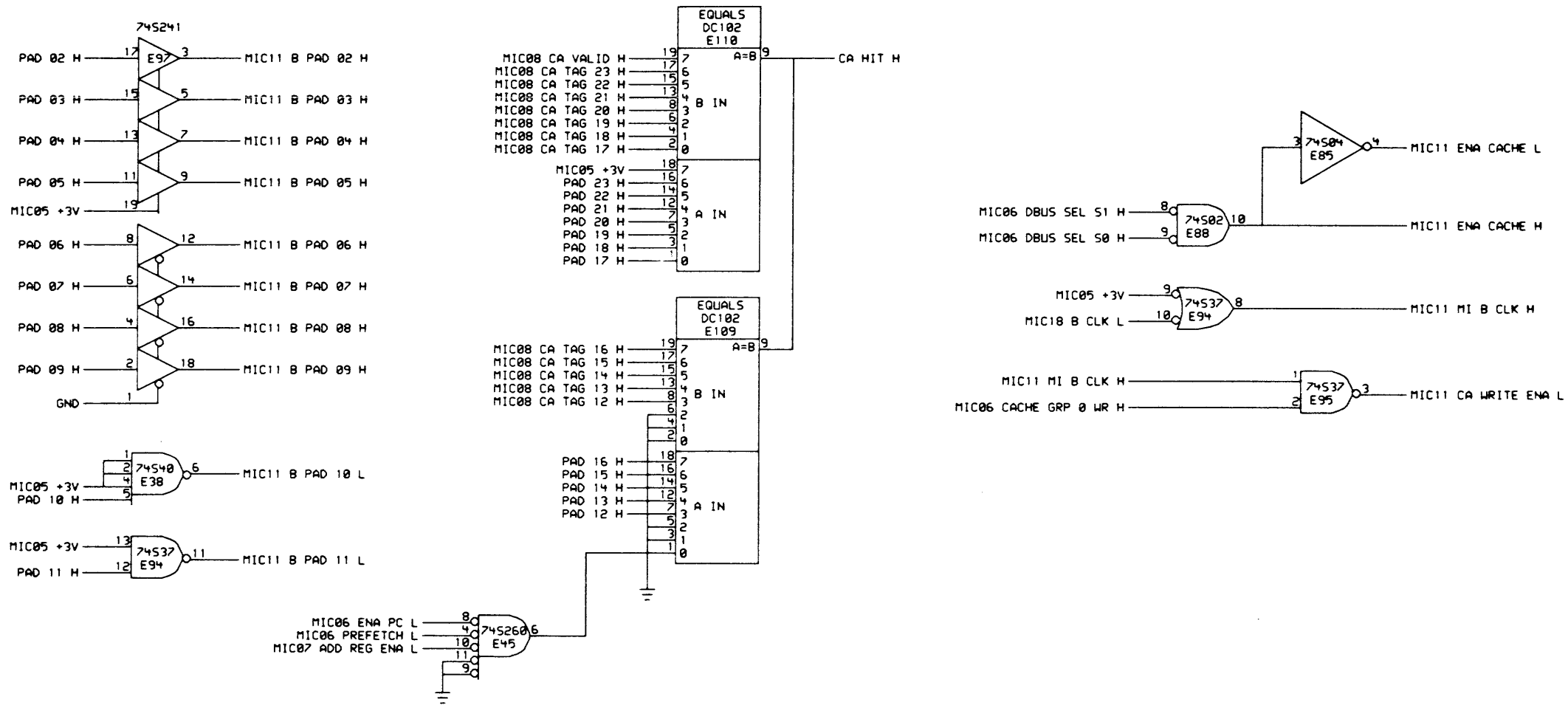
| | | | | | |
|------------------------------------|------------------|-----------------|-----------------------|-----------|--|
| digital | DRN. <i>W.M.</i> | DATE | ENG. | DATE | TITLE: CACHE DATA STORE BYTES 3 & 2 |
| | CHK'D. | 26-MAR-88 | | | |
| C160.1271 MIC09.DRW | | 17-FEB-80 15:40 | NEXT HIGHER ASSEMBLY: | SIZE CODE | NUMBER |
| FIRST USED ON OPTION/MODEL: 11/750 | | B-DD-L0003-0-0 | | D CS | L0003-0-9 |
| | | | | | REV. B |



THIS DRAWING AND SPECIFICATIONS ARE THE PROPERTY OF DIGITAL EQUIPMENT CORPORATION AND SHALL NOT BE REPRODUCED OR COPIED OR USED IN WHOLE OR IN PART AS THE BASIS FOR THE MANUFACTURE OR SALE OF ITEMS WITHOUT WRITTEN PERMISSION. COPYRIGHT © 1980, DIGITAL EQUIPMENT CORPORATION.

| REVISIONS | |
|-----------|----------------|
| CHK | CHANGE NO. REV |
| | |

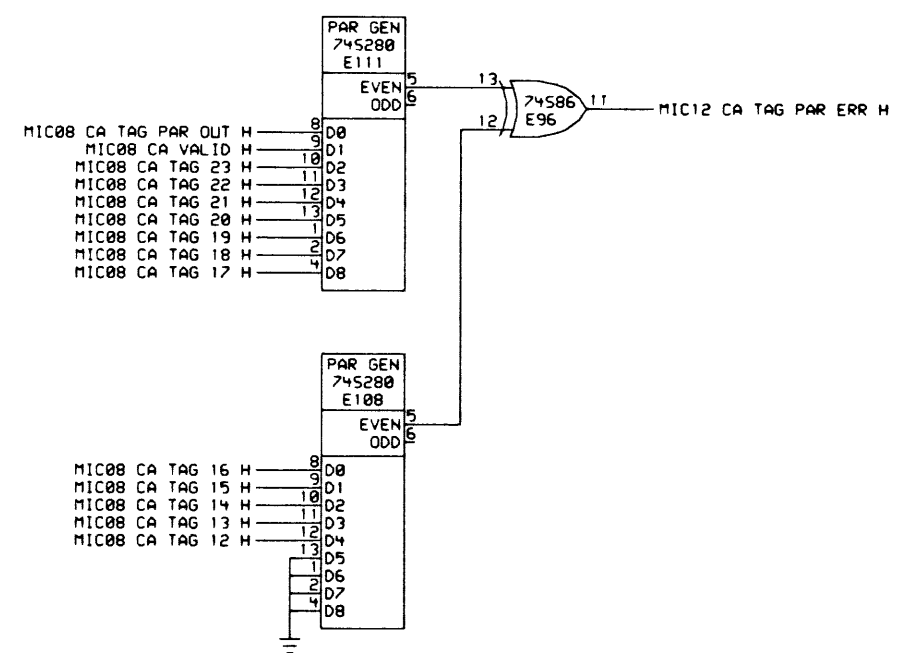
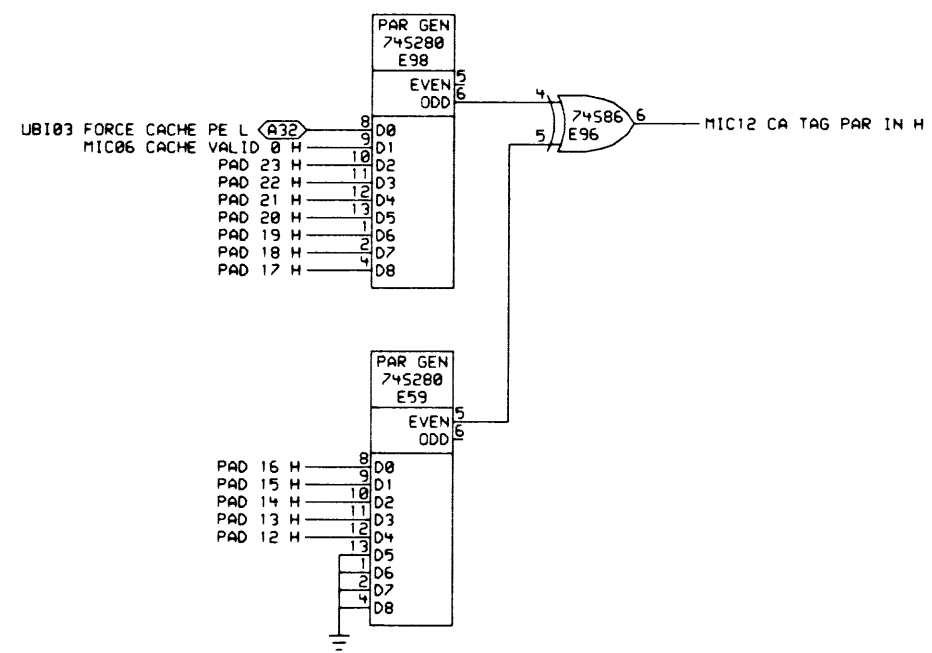
| | | | | |
|------------------------------------|------------------|---------------------|-----------------------|-------------------------------------|
| digital | DRN. <i>W.M.</i> | DATE ENG. 26-MAR-80 | DATE | TITLE: CACHE DATA STORE BYTES 1 & 0 |
| | CHK'D. | DATE | BOARD LOCATION: AC3 | |
| [160,127] MIC10.DRW | | 17-FEB-80 15:42 | NEXT HIGHER ASSEMBLY: | SIZE CODE NUMBER REV. |
| FIRST USED ON OPTION/MODEL: 11/750 | | B-DD-L0003-0-0 | D CS L0003-0-10 | B |



THIS DRAWING AND SPECIFICATIONS
HEREIN ARE THE PROPERTY OF
DIGITAL EQUIPMENT CORPORATION AND
SHALL NOT BE REPRODUCED OR COPIED
OR USED IN WHOLE OR IN PART AS
THE BASIS FOR THE MANUFACTURE OR
SALE OF ITEMS WITHOUT WRITTEN
PERMISSION. COPYRIGHT © 1980,
DIGITAL EQUIPMENT CORPORATION

| REVISIONS | | |
|-----------|------------|-----|
| CHK | CHANGE NO. | REV |
| | | |

| | | | | | |
|------------------------------------|------------------|--------------------------------------|---------------------|----------------|----------------------|
| digital | DRN. <i>W.M.</i> | DATE 26- 1980 -88 | ENG. | DATE | TITLE: CACHE CONTROL |
| | CHK'D. | DATE 17-FEB-88 15:44 | BOARD LOCATION: AC3 | SHEET 1 OF 1 | |
| FIRST USED ON OPTION/MODEL: 11/750 | | NEXT HIGHER ASSEMBLY: B-DD-L0003-0-0 | | SIZE CODE D CS | NUMBER L0003-0-11 |
| | | | | REV. B | |



THIS DRAWING AND SPECIFICATIONS
HEREIN ARE THE PROPERTY OF
DIGITAL EQUIPMENT CORPORATION AND
SHALL NOT BE REPRODUCED OR COPIED
OR USED IN WHOLE OR IN PART AS
THE BASIS FOR THE MANUFACTURE OR
SALE OF ITEMS WITHOUT WRITTEN
PERMISSION. COPYRIGHT © 1980
DIGITAL EQUIPMENT CORPORATION

| REVISIONS | | |
|-----------|------------|-----|
| CHK | CHANGE NO. | REV |
| | | |

digital
[160,127]MIC12.DRW
FIRST USED ON OPTION/MODEL: 11/750

| | | | |
|-----------------------|-----------------------|---------------------|--------------|
| DRN. <i>W.M.</i> | DATE <i>26-FEB-80</i> | ENG. | DATE |
| CHK'D. | DATE | BOARD LOCATION: AC3 | SHEET 1 OF 1 |
| NEXT HIGHER ASSEMBLY: | | B-DD-L0003-0-0 | |

| | | | |
|-------------------------|------------|------|--|
| TITLE: CACHE TAG PARITY | | | |
| SIZE CODE | NUMBER | REV. | |
| D CS | L0003-0-12 | B | |

8

7

6

5

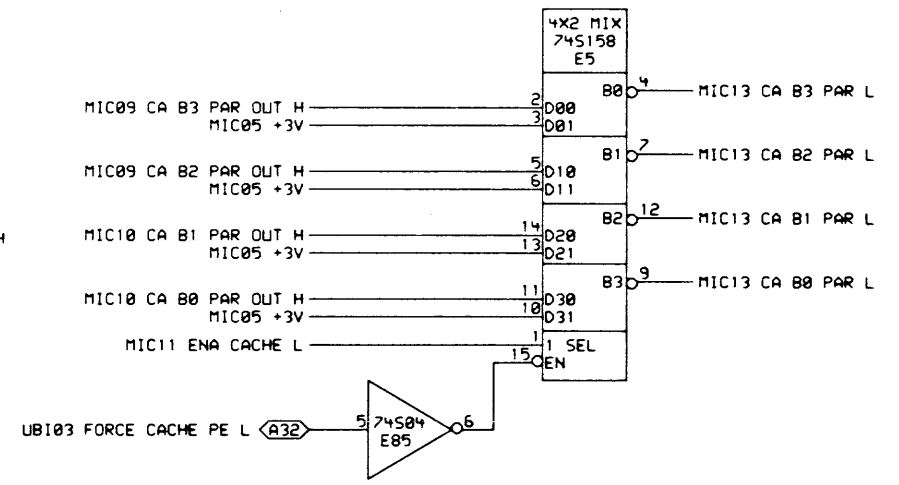
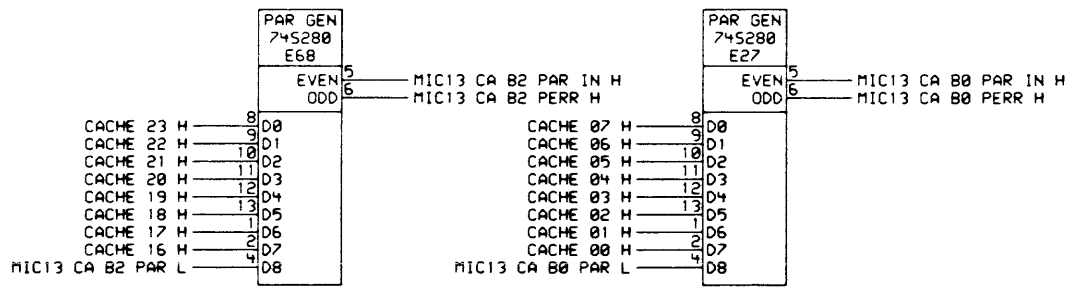
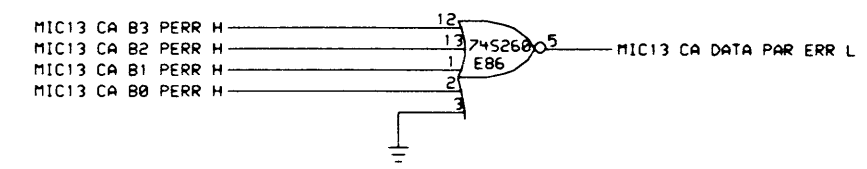
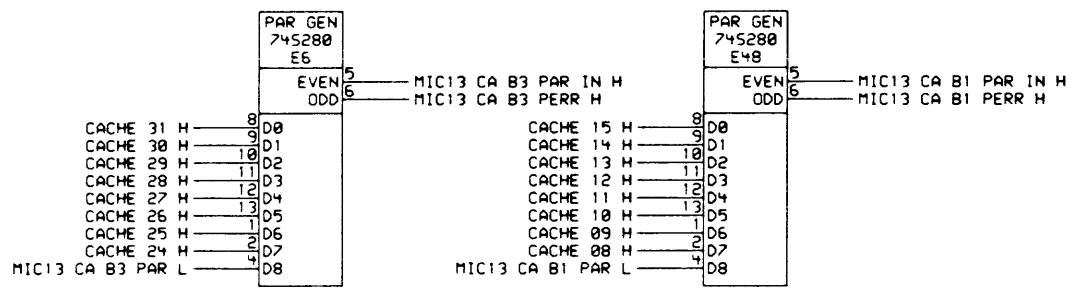
4

3

2

1

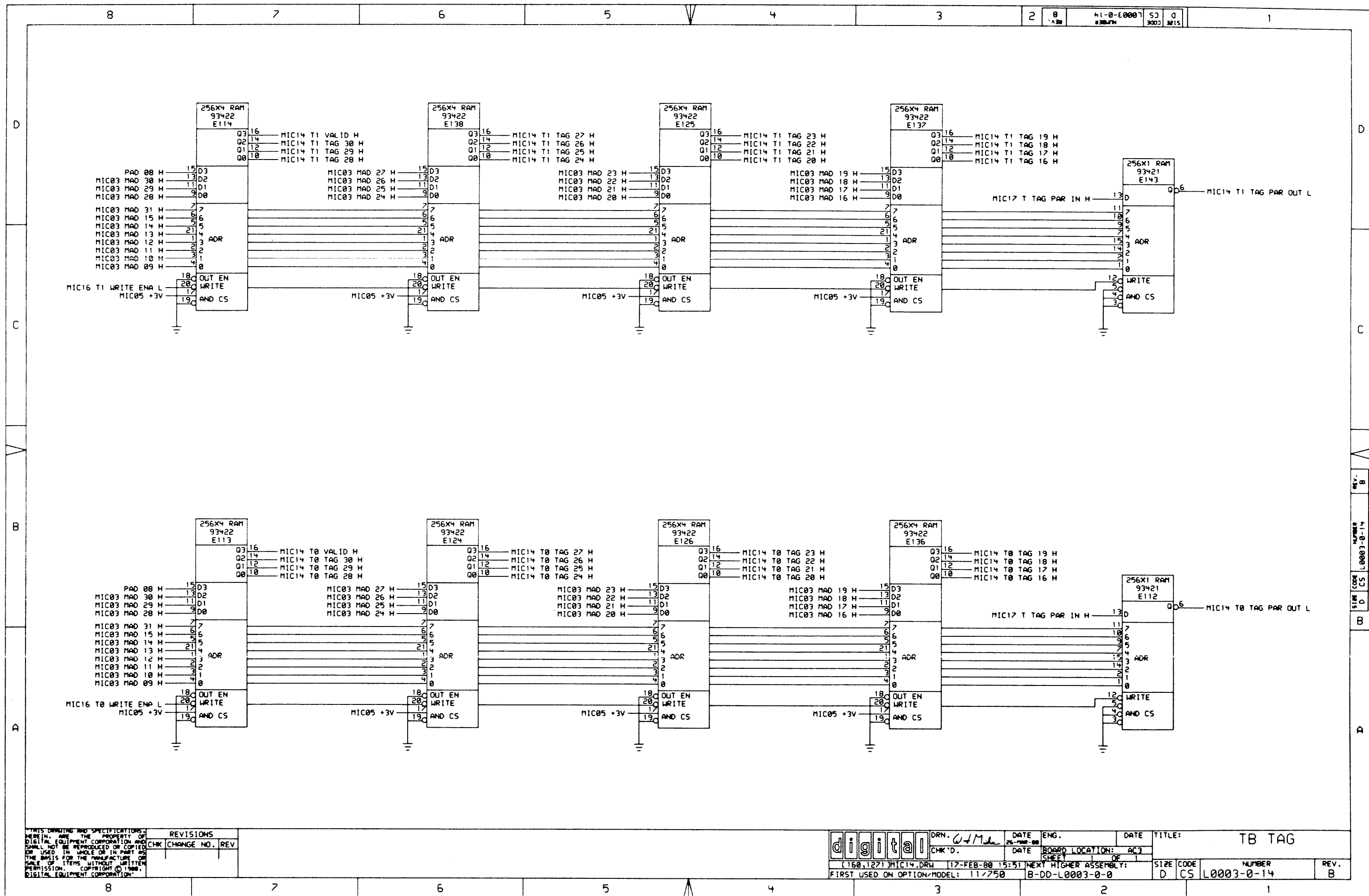
SIZE CODE NUMBER REV. D CS 300 3215 11-0-0007



THIS DRAWING AND SPECIFICATIONS ARE THE PROPERTY OF DIGITAL EQUIPMENT CORPORATION AND SHALL NOT BE REPRODUCED OR COPIED OR USED IN WHOLE OR IN PART AS THE BASIS FOR THE MANUFACTURE OR SALE OF ITEMS WITHOUT WRITTEN PERMISSION. COPYRIGHT © 1980, DIGITAL EQUIPMENT CORPORATION.

| REVISIONS | | |
|-----------|------------|------|
| CHK | CHANGE NO. | REV. |
| | | |

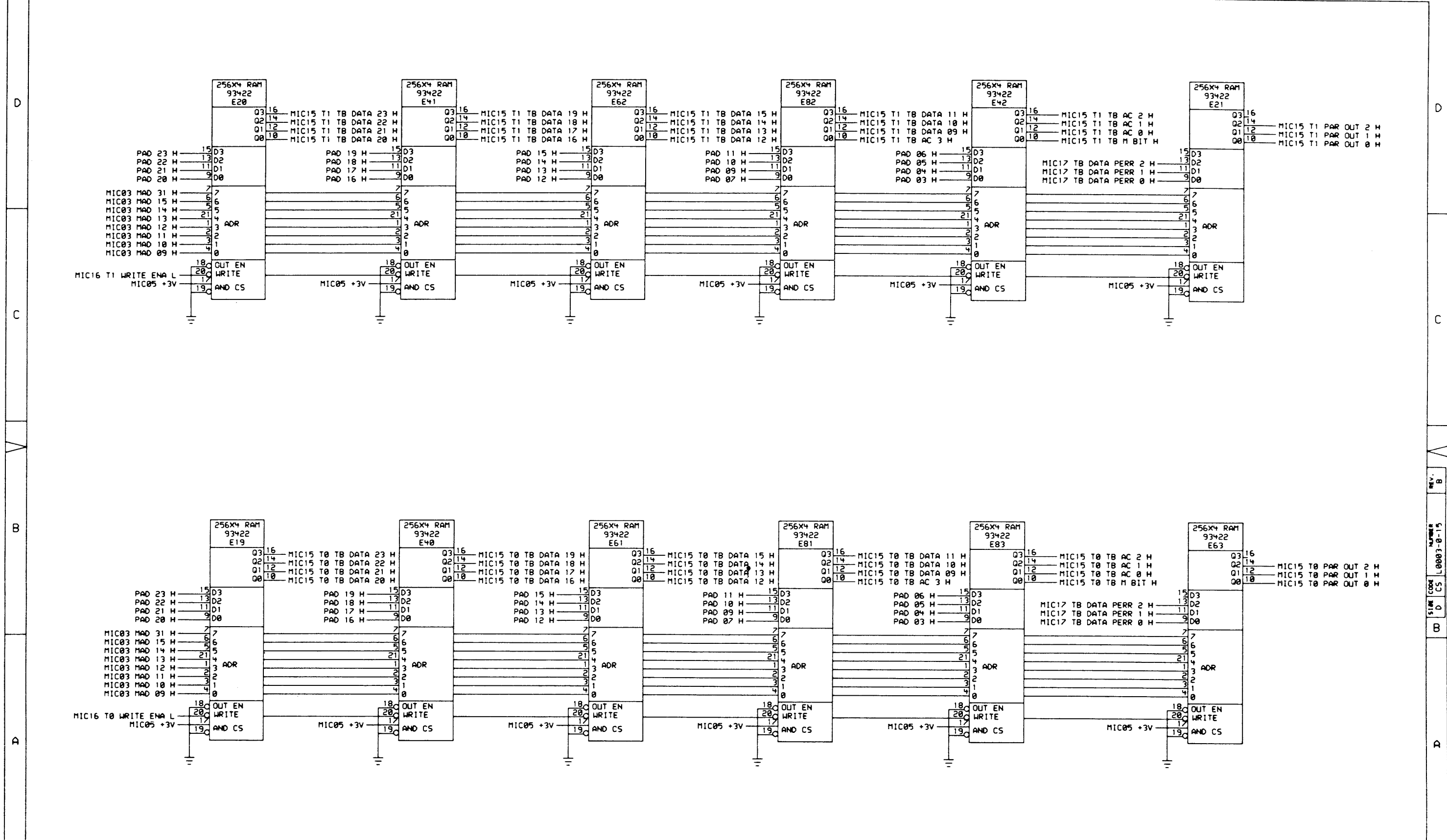
| | | | | | |
|------------------------------------|----------|--------------------------------------|---------------------|---|--------------------------|
| digital | DRN. W/M | DATE 26-MAR-80 | ENG. | DATE | TITLE: CACHE DATA PARITY |
| | CHK'D. | DATE 17-FEB-80 15:50 | BOARD LOCATION: AC3 | SHEET 1 OF 1 | |
| FIRST USED ON OPTION/MODEL: 11/750 | | NEXT HIGHER ASSEMBLY: B-DD-L0003-0-0 | | SIZE CODE NUMBER REV. D CS L0003-0-13 B | |



THIS DRAWING AND SPECIFICATIONS HEREIN ARE THE PROPERTY OF DIGITAL EQUIPMENT CORPORATION AND SHALL NOT BE REPRODUCED OR COPIED OR USED IN WHOLE OR IN PART AS THE BASIS FOR THE MANUFACTURE OR SALE OF ITEMS WITHOUT WRITTEN PERMISSION. COPYRIGHT © 1980, DIGITAL EQUIPMENT CORPORATION.

| REVISIONS | |
|-----------|-----------------|
| CHK | CHANGE NO. REV. |

| | | | | | |
|-----------------------------------|-----------------|------|---------------------|-------|----------------|
| digital | DRN. <i>WJM</i> | DATE | ENG. | DATE | TITLE: TB TAG |
| | CHK'D. | DATE | BOARD LOCATION: AC3 | SHEET | OF |
| FIRST USED ON OPTION/MODEL: 11750 | | | | | B-DD-L0003-0-0 |
| SIZE CODE: D CS | | | NUMBER: L0003-0-14 | | REV. B |

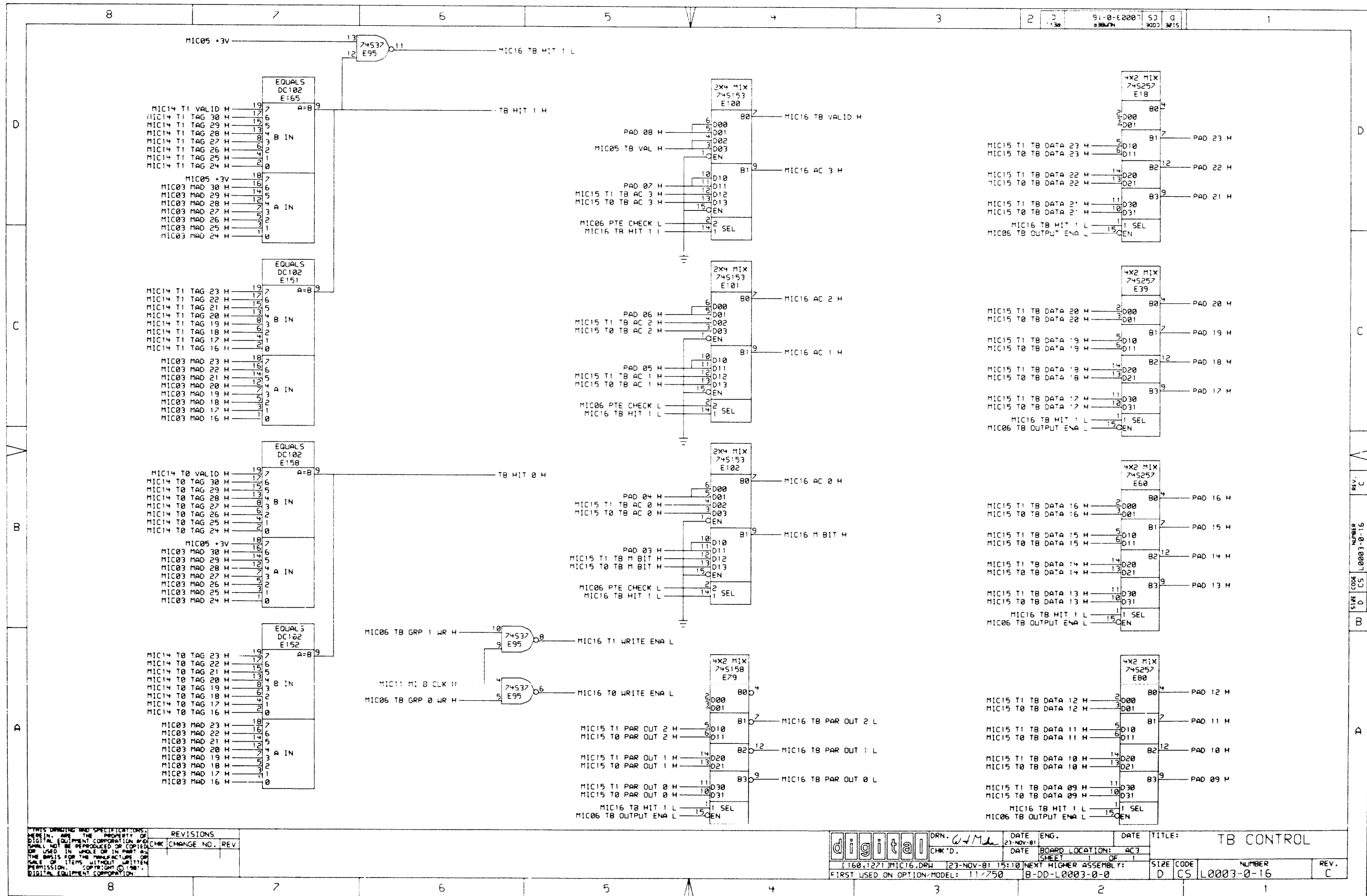


THIS DRAWING AND SPECIFICATIONS ARE THE PROPERTY OF DIGITAL EQUIPMENT CORPORATION AND SHALL NOT BE REPRODUCED OR COPIED IN WHOLE OR IN PART AS THE BASIS FOR THE MANUFACTURE OR SALE OF ITEMS WITHOUT WRITTEN PERMISSION. COPYRIGHT © 1980, DIGITAL EQUIPMENT CORPORATION.

| REVISIONS | | |
|-----------|------------|-----|
| CHK | CHANGE NO. | REV |
| | | |

digital DRN. *WJM* DATE 26-MAR-80 ENG. DATE TITLE: TB DATA STORE
 CHK'D. DATE BOARD LOCATION: AC3 SHEET 1 OF 1
 [160,127] MIC15.DRW 12-FEB-80 15:52 NEXT HIGHER ASSEMBLY: SIZE CODE NUMBER REV.
 FIRST USED ON OPTION/MODEL: 11/750 B-DD-L0003-0-0 D CS L0003-0-15 B

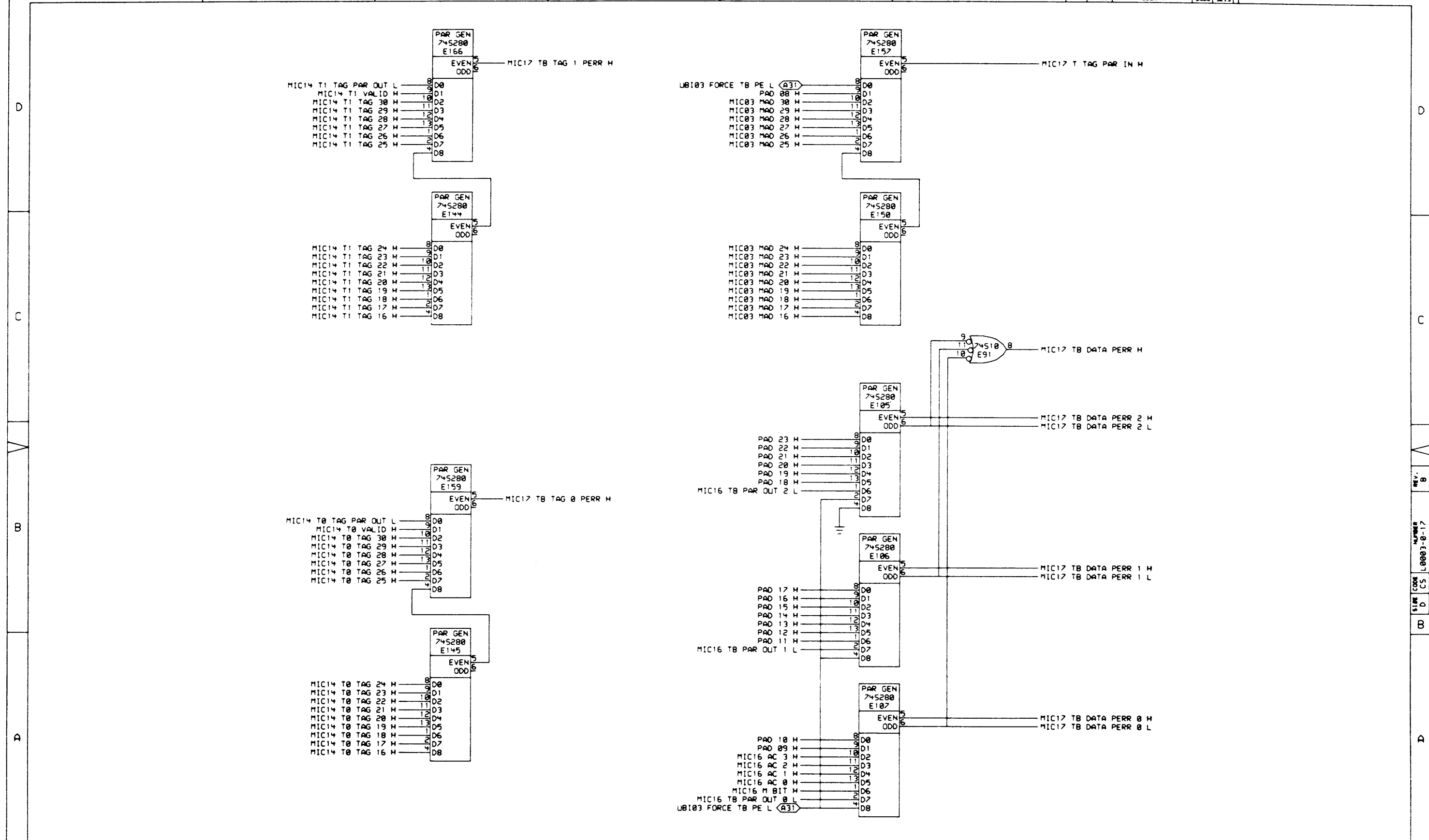
REV. B
 NUMBER L0003-0-15
 CODE CS
 D
 A



THIS DRAWING AND SPECIFICATIONS HEREIN ARE THE PROPERTY OF DIGITAL EQUIPMENT CORPORATION AND SHALL NOT BE REPRODUCED OR COPIED OR USED IN WHOLE OR IN PART AS THE BASIS FOR THE MANUFACTURE OR SALE OF ITEMS WITHOUT WRITTEN PERMISSION. COPYRIGHT © 1981, DIGITAL EQUIPMENT CORPORATION.

| REVISIONS | CHANGE NO. | REV |
|-----------|------------|-----|
| | | |

| | | | | |
|-----------------------------------|-----------------|--------------------------|--------------------------------------|-------------------|
| digital | DRN. <i>WMA</i> | DATE ENG. 23-NOV-81 | DATE | TITLE: TB CONTROL |
| | CHK'D. | DATE BOARD LOCATION: AC3 | SHEET OF 1 | |
| 160,1271 MIC16.DRW | | 23-NOV-81 15:10 | NEXT HIGHER ASSEMBLY: B-DD-L0003-0-0 | SIZE CODE D CS |
| FIRST USED ON OPTION MODEL: 11750 | | | | NUMBER L0003-0-16 |
| | | | | REV. C |



| REVISIONS | |
|-----------|----------------|
| CHK | CHANGE NO. REV |
| | |

| | | | | | | | | | |
|--|--|--|--|--|--|--|--|--|--|
| | | | | | | | | | |
|--|--|--|--|--|--|--|--|--|--|

| | | | | | |
|------------------------------------|----------|--------------------------------------|---------------------|----------------|-------------------|
| digital | DRN. WJM | DATE 25-FEB-80 | ENG. | DATE | TITLE: TB PARITY |
| | CHK'D. | DATE 17-FEB-80 15:55 | BOARD LOCATION: AC3 | SHEET | OF |
| FIRST USED ON OPTION/MODEL: 11/750 | | NEXT HIGHER ASSEMBLY: B-DD-L0003-0-0 | | SIZE CODE D CS | NUMBER L0003-0-17 |
| | | | | REV. B | |

| SIGNAL NAME | PAGE NUMBER(S) | SIGNAL NAME | PAGE NUMBER(S) | SIGNAL NAME | PAGE NUMBER(S) |
|---------------|----------------|----------------------|----------------|-------------------------|----------------|
| CA HIT H | 07,06,11 | CMI DATA 10 H | 01 | DPM17 M CLK ENABLE H | 18,04,05,07,06 |
| CACHE 00 H | 13,10,01 | CMI DATA 11 H | 01 | DPM17 PHASE 1 H | 06,04,07 |
| CACHE 01 H | 13,10,01 | CMI DATA 12 H | 02 | DPM17 PSL CM H | 18,06 |
| CACHE 02 H | 13,10,01 | CMI DATA 13 H | 02 | DPM18 DST RMODE H | 07,06 |
| CACHE 03 H | 10,13,01 | CMI DATA 14 H | 02 | DPM19 D SIZE 0 H | 07,06 |
| CACHE 04 H | 13,10,02 | CMI DATA 15 H | 02 | DPM19 D SIZE 1 H | 07,06 |
| CACHE 05 H | 13,10,02 | CMI DATA 16 H | 01 | DPM19 ISIZE 0 L | 04,06 |
| CACHE 06 H | 13,10,02 | CMI DATA 17 H | 01 | DPM19 ISIZE 1 L | 04,06 |
| CACHE 07 H | 10,13,02 | CMI DATA 18 H | 01 | DPM20 CS PARITY ERROR H | 07 |
| CACHE 08 H | 13,10,01 | CMI DATA 19 H | 01 | DPM22 V OUT H | 04 |
| CACHE 09 H | 13,10,01 | CMI DATA 20 H | 02 | FPA21 FP RES OP L | 07 |
| CACHE 10 H | 10,13,01 | CMI DATA 21 H | 02 | MBUS 00 L | 01 |
| CACHE 11 H | 10,13,01 | CMI DATA 22 H | 02 | MBUS 01 L | 01 |
| CACHE 12 H | 13,10,02 | CMI DATA 23 H | 02 | MBUS 02 L | 01 |
| CACHE 13 H | 13,10,02 | CMI DATA 24 H | 01 | MBUS 03 L | 01 |
| CACHE 14 H | 10,13,02 | CMI DATA 25 H | 07,01 | MBUS 04 L | 02 |
| CACHE 15 H | 10,13,02 | CMI DATA 26 H | 07,01 | MBUS 05 L | 02 |
| CACHE 16 H | 13,09,01 | CMI DATA 27 H | 07,01 | MBUS 06 L | 02 |
| CACHE 17 H | 09,13,01 | CMI DATA 28 H | 07,02 | MBUS 07 L | 02 |
| CACHE 18 H | 09,13,01 | CMI DATA 29 H | 07,02 | MBUS 08 L | 01 |
| CACHE 19 H | 09,13,01 | CMI DATA 30 H | 07,02 | MBUS 09 L | 01 |
| CACHE 20 H | 13,09,02 | CMI DATA 31 H | 07,02 | MBUS 10 L | 01 |
| CACHE 21 H | 09,13,02 | CMI DBB2 L | 07 | MBUS 11 L | 01 |
| CACHE 22 H | 09,13,02 | CMI HOLD L | 07 | MBUS 12 L | 02 |
| CACHE 23 H | 09,13,02 | CMI STATUS 00 L | 07 | MBUS 13 L | 02 |
| CACHE 24 H | 13,09,01 | CMI STATUS 01 L | 07 | MBUS 14 L | 02 |
| CACHE 25 H | 13,09,01 | CMI WAIT L | 04 | MBUS 15 L | 04,02 |
| CACHE 26 H | 13,09,01 | CS BUS 0 H | 05 | MBUS 16 L | 01 |
| CACHE 27 H | 13,09,01 | CS BUS 1 H | 05 | MBUS 17 L | 01 |
| CACHE 28 H | 13,09,02 | CS BUS 2 H | 05 | MBUS 18 L | 01 |
| CACHE 29 H | 13,09,02 | CS BUS 3 H | 05 | MBUS 19 L | 01 |
| CACHE 30 H | 13,09,02 | CS BUS 4 H | 05,07,06 | MBUS 20 L | 02 |
| CACHE 31 H | 13,09,02 | CS MSRC 0 H | 05 | MBUS 21 L | 02 |
| CMI ARB 1 L | 04 | CS MSRC 1 H | 05 | MBUS 22 L | 02 |
| CMI ARB 2 L | 04 | CS MSRC 2 H | 05 | MBUS 23 L | 02 |
| CMI ARB 3 L | 04 | CS MSRC 3 H | 05 | MBUS 24 L | 01 |
| CMI ARB 4 L | 04 | CS MSRC 4 H | 05 | MBUS 25 L | 01 |
| CMI ARB 5 L | 04 | CS WCTRL 0 H | 05 | MBUS 26 L | 01 |
| CMI ARB 6 L | 04 | CS WCTRL 1 H | 05 | MBUS 27 L | 01 |
| CMI ARB 7 L | 04 | CS WCTRL 2 H | 05 | MBUS 28 L | 02 |
| CMI DATA 00 H | 01 | CS WCTRL 3 H | 05 | MBUS 29 L | 02 |
| CMI DATA 01 H | 01 | CS WCTRL 4 H | 05 | MBUS 30 L | 02 |
| CMI DATA 02 H | 01 | CS WCTRL 5 H | 05 | MBUS 31 L | 02 |
| CMI DATA 03 H | 01 | DPM11 MCS TMR L | 04 | MIC01 XBUF 00 H | 01 |
| CMI DATA 04 H | 02 | DPM14 LD OSR L | 18 | MIC01 XBUF 01 H | 01 |
| CMI DATA 05 H | 02 | DPM16 IRDI H | 04,06 | MIC01 XBUF 02 H | 01 |
| CMI DATA 06 H | 02 | DPM17 B CLK L | 18 | MIC01 XBUF 03 H | 01 |
| CMI DATA 07 H | 02 | DPM17 B CLK ENABLE H | 07,06 | MIC02 XBUF 04 H | 02 |
| CMI DATA 08 H | 01 | DPM17 DO SRVC L | 07 | MIC02 XBUF 05 H | 02 |
| CMI DATA 09 H | 01 | DPM17 INSTR FETCH H | 04,18 | MIC02 XBUF 06 H | 02 |

NOTES:
 1. THIS PAGE LISTS THE SCHEMATIC PAGE NUMBER(S) WHERE A SIGNAL NAME IS REFERENCED.

| | | | | | |
|---|---|--|--|------------------------------------|---------------------------------|
| THIS DRAWING AND SPECIFICATIONS HEREIN ARE THE PROPERTY OF DIGITAL EQUIPMENT CORPORATION AND SHALL NOT BE REPRODUCED OR COPIED OR USED IN WHOLE OR IN PART AS THE BASIS FOR THE MANUFACTURE OR SALE OF ITEMS WITHOUT WRITTEN PERMISSION. COPYRIGHT © 1988, DIGITAL EQUIPMENT CORPORATION. | REVISIONS CHK CHANGE NO. REV | | DRN. <i>WJM</i> DATE <i>06-NOV-88</i> ENG. | DATE BOARD LOCATION: <i>AC3</i> | TITLE: MIC FORWARD REFERENCE |
| | (168,1271)MIC19.DRW 06-NOV-88 18:24 NEXT HIGHER ASSEMBLY: FIRST USED ON OPTION/MODEL: 11/750 18-DD-L0003-0-0 | | | | |

| SIGNAL NAME | PAGE NUMBER(S) |
|-------------------------|----------------|
| MIC02 XBUF 07 H | 02 |
| MIC03 MAD 00 H | 07,06,01,03 |
| MIC03 MAD 01 H | 07,06,03,01 |
| MIC03 MAD 02 H | 07,03,01 |
| MIC03 MAD 03 H | 03,01 |
| MIC03 MAD 04 H | 03,02 |
| MIC03 MAD 05 H | 02,03 |
| MIC03 MAD 06 H | 03,02 |
| MIC03 MAD 07 H | 03,02 |
| MIC03 MAD 08 H | 01,03 |
| MIC03 MAD 09 H | 15,14,03,01 |
| MIC03 MAD 10 H | 15,14,03,01 |
| MIC03 MAD 11 H | 15,14,01,03 |
| MIC03 MAD 12 H | 15,14,03,02 |
| MIC03 MAD 13 H | 15,14,02,03 |
| MIC03 MAD 14 H | 15,14,03,02 |
| MIC03 MAD 15 H | 15,14,02,03 |
| MIC03 MAD 16 H | 14,01,17,16,03 |
| MIC03 MAD 17 H | 14,17,16,01,03 |
| MIC03 MAD 18 H | 14,17,16,03,01 |
| MIC03 MAD 19 H | 14,01,17,16,03 |
| MIC03 MAD 20 H | 14,17,16,02,03 |
| MIC03 MAD 21 H | 14,02,17,16,03 |
| MIC03 MAD 22 H | 14,17,16,03,02 |
| MIC03 MAD 23 H | 14,02,17,16,03 |
| MIC03 MAD 24 H | 14,01,17,16,03 |
| MIC03 MAD 25 H | 14,01,17,16,03 |
| MIC03 MAD 26 H | 14,17,16,01,03 |
| MIC03 MAD 27 H | 14,01,17,16,03 |
| MIC03 MAD 28 H | 14,02,17,16,03 |
| MIC03 MAD 29 H | 14,02,17,16,03 |
| MIC03 MAD 30 H | 14,17,16,02,03 |
| MIC03 MAD 31 H | 15,14,02,03 |
| MIC03 PAGE BNDRY H | 07,03 |
| MIC03 XB PC 00 H | 06,01,02,03 |
| MIC03 XB PC 01 H | 06,01,02,03 |
| MIC04 ASRC SEL S0 H | 04,03 |
| MIC04 ASRC SEL S1 H | 04,03 |
| MIC04 ASRC SEL S2 H | 04,03 |
| MIC04 CLK SMOR L | 04,01,02 |
| MIC04 CMI CPU PRI L | 04,07 |
| MIC04 ENA PC BACKUP L | 04,03 |
| MIC04 ENA PROT BITS L | 04,05 |
| MIC04 ENA SMOR L | 04,01,02 |
| MIC04 IRD1 L | 18,04 |
| MIC04 LATCHED MBUS 15 L | 04 |
| MIC04 MBUS ENA H | 04,01,02 |
| MIC04 MEM STALL H | 04 |
| MIC04 MSRC MI H | 04 |
| MIC04 MSRC MI L | 04 |

| SIGNAL NAME | PAGE NUMBER(S) |
|-------------------------|-------------------------------|
| MIC04 MSRC XB H | 04,07 |
| MIC04 PHASE 1 L | 04 |
| MIC04 PROC INIT L | 04,07 |
| MIC04 RTUT DINH H | 04 |
| MIC04 SMOR DEC H | 04 |
| MIC04 STATUS VALID H | 04 |
| MIC04 V OUT H | 04 |
| MIC04 WAIT H | 04,07 |
| MIC05 +3V | 05,13,15,18,11,06,16,14,01,03 |
| MIC05 CS CLK L | 05 |
| MIC05 ID ADDRESS L | 05,06,18 |
| MIC05 LATCHED BUS 0 H | 05,07,06 |
| MIC05 LATCHED BUS 0 L | 05,18 |
| MIC05 LATCHED BUS 1 H | 05,04,07,06 |
| MIC05 LATCHED BUS 2 H | 05,07,06 |
| MIC05 LATCHED BUS 3 H | 05,18,04,07,06 |
| MIC05 LATCHED BUS 4 H | 05,18,06 |
| MIC05 LATCHED MSRC 0 H | 05,04,06 |
| MIC05 LATCHED MSRC 0 L | 05,04 |
| MIC05 LATCHED MSRC 1 H | 05,06 |
| MIC05 LATCHED MSRC 1 L | 05,04 |
| MIC05 LATCHED MSRC 2 H | 05,04,06,01,02 |
| MIC05 LATCHED MSRC 3 H | 05,04,06 |
| MIC05 LATCHED MSRC 3 L | 05,04 |
| MIC05 LATCHED MSRC 4 H | 05,06 |
| MIC05 LATCHED MSRC 4 L | 05,04 |
| MIC05 LATCHED WCTRL 0 H | 05,06,07 |
| MIC05 LATCHED WCTRL 1 H | 05,04,06,07 |
| MIC05 LATCHED WCTRL 2 H | 05,06,07 |
| MIC05 LATCHED WCTRL 3 H | 05,06,07 |
| MIC05 LATCHED WCTRL 3 L | 05 |
| MIC05 LATCHED WCTRL 4 H | 05,06,07 |
| MIC05 LATCHED WCTRL 5 H | 05,06,07 |
| MIC05 M CLK ENA L | 18,05 |
| MIC05 TB VAL H | 05,16 |
| MIC05 UB REQ H | 04,05 |
| MIC05 WCTRL HALLXXX L | 05,07 |
| MIC06 AMUX SEL S0 H | 06,01,02 |
| MIC06 AMUX SEL S1 H | 06,01,02 |
| MIC06 BSRC SEL S0 H | 06,03 |
| MIC06 BSRC SEL S1 H | 06,03 |
| MIC06 CACHE GRP 0 LR H | 11,06 |
| MIC06 CACHE INT L | 07,06 |
| MIC06 CACHE VALID 0 H | 12,06,08 |
| MIC06 CLK SEL S0 H | 06,01,02 |
| MIC06 CLK SEL S1 H | 06,01,02 |
| MIC06 COMP MODE H | 06,03 |
| MIC06 DBUS ROT S0 H | 06,01,02 |
| MIC06 DBUS ROT S1 H | 06,01,02 |
| MIC06 DBUS SEL S0 H | 11,06,01,02 |

| SIGNAL NAME | PAGE NUMBER(S) |
|--------------------------|-------------------|
| MIC06 DBUS SEL S1 H | 11,06,01,02 |
| MIC06 ENA BYTE 0 L | 10,06 |
| MIC06 ENA BYTE 1 L | 10,06 |
| MIC06 ENA BYTE 2 L | 09,06 |
| MIC06 ENA BYTE 3 L | 09,06 |
| MIC06 ENA PC L | 10,11,06,03 |
| MIC06 ENA VA L | 06,03 |
| MIC06 ENA VA SAVE L | 06,03 |
| MIC06 ENABLE ACV STALL H | 04,06 |
| MIC06 INVAL PREF L | 06,07 |
| MIC06 LATCH MA L | 06,03 |
| MIC06 MA SELECT S0 H | 06,03 |
| MIC06 MA SELECT S1 H | 06,03 |
| MIC06 MMUX SEL S1 H | 04,07,06,01,02 |
| MIC06 PREFETCH L | 11,06,07 |
| MIC06 PTE CHECK L | 16,06 |
| MIC06 STALL L | 04,06 |
| MIC06 TB GRP 0 LR H | 16,06 |
| MIC06 TB GRP 1 LR H | 16,06 |
| MIC06 TB OUTPUT ENA L | 16,06 |
| MIC06 TB PARITY ENA H | 04,07,06 |
| MIC06 XB SELECT H | 07,06,01,02 |
| MIC06 XB IN USE L | 07,06 |
| MIC06 XB1 IN USE L | 07,06 |
| MIC07 ACV H | 04,07 |
| MIC07 ADD REG ENA L | 11,05,07,01,02,18 |
| MIC07 CORR DATA INT L | 04,07 |
| MIC07 ENA CMI L | 07,01,02 |
| MIC07 ENC UTRAP 0 L | 07 |
| MIC07 ENC UTRAP 1 L | 07 |
| MIC07 ENC UTRAP 2 L | 07 |
| MIC07 FORCE MA 09 H | 07,03 |
| MIC07 GEN DEST INH L | 04,07 |
| MIC07 GRANT STALL L | 18,06,07 |
| MIC07 INHIBIT CMI H | 07 |
| MIC07 PROC INIT H | 04,07 |
| MIC07 PTE CHK OR PROBE H | 07 |
| MIC07 SNAPSHOT CMI L | 06,07,01,02 |
| MIC07 STATUS 0 H | 07 |
| MIC07 STATUS 1 H | 07 |
| MIC07 STATUS VALID L | 04,07,06 |
| MIC07 UTRAP L | 18,04,07,06 |
| MIC07 WR BUS ERR INT L | 04,07 |
| MIC07 WRITE VECT OCC L | 06,07 |
| MIC08 CA TAG 12 H | 12,11,08 |
| MIC08 CA TAG 13 H | 12,11,08 |
| MIC08 CA TAG 14 H | 12,11,08 |
| MIC08 CA TAG 15 H | 12,11,08 |
| MIC08 CA TAG 16 H | 12,11,08 |
| MIC08 CA TAG 17 H | 11,12,08 |

NOTES:
 1. THIS PAGE LISTS THE SCHEMATIC PAGE NUMBER(S) WHERE A SIGNAL NAME IS REFERENCED.

REVISIONS
 CHG CHANGE NO. REV

digital DRN: GJM DATE: 06-NOV-88 ENG. DATE: TITLE: MIC FORWARD REFERENCE
 (160,1271)MIC20.DRW 06-NOV-88 18:27 BOARD LOCATION: AC3
 FIRST USED ON OPTION MODEL: 117750 NEXT HIGHER ASSEMBLY: B-DD-L0003-0-0 SIZE CODE NUMBER REV.
 D CS L0003-0-20 C

| SIGNAL NAME | PAGE NUMBER(S) |
|------------------------|----------------|
| MIC08 CA TAG 18 H | 11,12,08 |
| MIC08 CA TAG 19 H | 11,12,08 |
| MIC08 CA TAG 20 H | 11,12,08 |
| MIC08 CA TAG 21 H | 11,12,08 |
| MIC08 CA TAG 22 H | 11,12,08 |
| MIC08 CA TAG 23 H | 11,12,08 |
| MIC08 CA TAG PAR OUT H | 12,08 |
| MIC08 CA VALID H | 11,12,08 |
| MIC09 CA 16 H | 09 |
| MIC09 CA 17 H | 09 |
| MIC09 CA 18 H | 09 |
| MIC09 CA 19 H | 09 |
| MIC09 CA 20 H | 09 |
| MIC09 CA 21 H | 09 |
| MIC09 CA 22 H | 09 |
| MIC09 CA 23 H | 09 |
| MIC09 CA 24 H | 09 |
| MIC09 CA 25 H | 09 |
| MIC09 CA 26 H | 09 |
| MIC09 CA 27 H | 09 |
| MIC09 CA 28 H | 09 |
| MIC09 CA 29 H | 09 |
| MIC09 CA 30 H | 09 |
| MIC09 CA 31 H | 09 |
| MIC09 CA B2 PAR OUT H | 13,09 |
| MIC09 CA B3 PAR OUT H | 13,09 |
| MIC10 CA 00 H | 10 |
| MIC10 CA 01 H | 10 |
| MIC10 CA 02 H | 10 |
| MIC10 CA 03 H | 10 |
| MIC10 CA 04 H | 10 |
| MIC10 CA 05 H | 10 |
| MIC10 CA 06 H | 10 |
| MIC10 CA 07 H | 10 |
| MIC10 CA 08 H | 10 |
| MIC10 CA 09 H | 10 |
| MIC10 CA 10 H | 10 |
| MIC10 CA 11 H | 10 |
| MIC10 CA 12 H | 10 |
| MIC10 CA 13 H | 10 |
| MIC10 CA 14 H | 10 |
| MIC10 CA 15 H | 10 |
| MIC10 CA B0 PAR OUT H | 13,10 |
| MIC10 CA B1 PAR OUT H | 13,10 |
| MIC11 B PAD 02 H | 10,09,11 |
| MIC11 B PAD 03 H | 10,09,11 |
| MIC11 B PAD 04 H | 10,09,11 |
| MIC11 B PAD 05 H | 10,09,11 |
| MIC11 B PAD 06 H | 10,09,11 |
| MIC11 B PAD 07 H | 10,09,11 |

| SIGNAL NAME | PAGE NUMBER(S) |
|-------------------------|----------------|
| MIC11 B PAD 08 H | 10,09,11 |
| MIC11 B PAD 09 H | 10,09,11 |
| MIC11 B PAD 10 L | 10,09,11 |
| MIC11 B PAD 11 L | 10,09,11 |
| MIC11 CA WRITE ENA L | 10,09,11,08 |
| MIC11 ENA CACHE H | 09,10,11 |
| MIC11 ENA CACHE L | 13,09,10,11 |
| MIC11 MI B CLK H | 11,16 |
| MIC12 CA TAG PAR ERR H | 12,06 |
| MIC12 CA TAG PAR IN H | 12,08 |
| MIC13 CA B0 PAR IN H | 13,10 |
| MIC13 CA B0 PAR L | 13 |
| MIC13 CA B0 PERR H | 13 |
| MIC13 CA B1 PAR IN H | 13,10 |
| MIC13 CA B1 PAR L | 13 |
| MIC13 CA B1 PERR H | 13 |
| MIC13 CA B2 PAR IN H | 09,13 |
| MIC13 CA B2 PAR L | 13 |
| MIC13 CA B2 PERR H | 13 |
| MIC13 CA B3 PAR IN H | 13,09 |
| MIC13 CA B3 PAR L | 13 |
| MIC13 CA B3 PERR H | 13 |
| MIC13 CA DATA PAR ERR L | 13,06 |
| MIC14 T0 TAG 16 H | 14,17,16 |
| MIC14 T0 TAG 17 H | 14,17,16 |
| MIC14 T0 TAG 18 H | 14,17,16 |
| MIC14 T0 TAG 19 H | 14,17,16 |
| MIC14 T0 TAG 20 H | 14,17,16 |
| MIC14 T0 TAG 21 H | 14,17,16 |
| MIC14 T0 TAG 22 H | 14,17,16 |
| MIC14 T0 TAG 23 H | 14,17,16 |
| MIC14 T0 TAG 24 H | 14,17,16 |
| MIC14 T0 TAG 25 H | 14,16,17 |
| MIC14 T0 TAG 26 H | 14,16,17 |
| MIC14 T0 TAG 27 H | 14,16,17 |
| MIC14 T0 TAG 28 H | 14,16,17 |
| MIC14 T0 TAG 29 H | 14,16,17 |
| MIC14 T0 TAG 30 H | 14,16,17 |
| MIC14 T0 TAG PAR OUT L | 14,17 |
| MIC14 T0 VALID H | 14,16,17 |
| MIC14 T1 TAG 16 H | 14,17,16 |
| MIC14 T1 TAG 17 H | 14,17,16 |
| MIC14 T1 TAG 18 H | 14,17,16 |
| MIC14 T1 TAG 19 H | 14,17,16 |
| MIC14 T1 TAG 20 H | 14,17,16 |
| MIC14 T1 TAG 21 H | 14,17,16 |
| MIC14 T1 TAG 22 H | 14,17,16 |
| MIC14 T1 TAG 23 H | 14,17,16 |
| MIC14 T1 TAG 24 H | 14,17,16 |
| MIC14 T1 TAG 25 H | 14,16,17 |

| SIGNAL NAME | PAGE NUMBER(S) |
|------------------------|----------------|
| MIC14 T1 TAG 26 H | 14,16,17 |
| MIC14 T1 TAG 27 H | 14,16,17 |
| MIC14 T1 TAG 28 H | 14,16,17 |
| MIC14 T1 TAG 29 H | 14,16,17 |
| MIC14 T1 TAG 30 H | 14,16,17 |
| MIC14 T1 TAG PAR OUT L | 14,17 |
| MIC14 T1 VALID H | 14,16,17 |
| MIC15 T0 PAR OUT 0 H | 15,16 |
| MIC15 T0 PAR OUT 1 H | 15,16 |
| MIC15 T0 PAR OUT 2 H | 15,16 |
| MIC15 T0 TB AC 0 H | 15,16 |
| MIC15 T0 TB AC 1 H | 15,16 |
| MIC15 T0 TB AC 2 H | 15,16 |
| MIC15 T0 TB AC 3 H | 15,16 |
| MIC15 T0 TB DATA 09 H | 16,15 |
| MIC15 T0 TB DATA 10 H | 16,15 |
| MIC15 T0 TB DATA 11 H | 16,15 |
| MIC15 T0 TB DATA 12 H | 16,15 |
| MIC15 T0 TB DATA 13 H | 16,15 |
| MIC15 T0 TB DATA 14 H | 16,15 |
| MIC15 T0 TB DATA 15 H | 16,15 |
| MIC15 T0 TB DATA 16 H | 15,16 |
| MIC15 T0 TB DATA 17 H | 16,15 |
| MIC15 T0 TB DATA 18 H | 16,15 |
| MIC15 T0 TB DATA 19 H | 16,15 |
| MIC15 T0 TB DATA 20 H | 15,16 |
| MIC15 T0 TB DATA 21 H | 16,15 |
| MIC15 T0 TB DATA 22 H | 16,15 |
| MIC15 T0 TB DATA 23 H | 16,15 |
| MIC15 T0 TB H BIT H | 15,16 |
| MIC15 T1 PAR OUT 0 H | 15,16 |
| MIC15 T1 PAR OUT 1 H | 15,16 |
| MIC15 T1 PAR OUT 2 H | 15,16 |
| MIC15 T1 TB AC 0 H | 15,16 |
| MIC15 T1 TB AC 1 H | 15,16 |
| MIC15 T1 TB AC 2 H | 15,16 |
| MIC15 T1 TB AC 3 H | 15,16 |
| MIC15 T1 TB DATA 09 H | 16,15 |
| MIC15 T1 TB DATA 10 H | 16,15 |
| MIC15 T1 TB DATA 11 H | 16,15 |
| MIC15 T1 TB DATA 12 H | 15,16 |
| MIC15 T1 TB DATA 13 H | 16,15 |
| MIC15 T1 TB DATA 14 H | 16,15 |
| MIC15 T1 TB DATA 15 H | 16,15 |
| MIC15 T1 TB DATA 16 H | 15,16 |
| MIC15 T1 TB DATA 17 H | 16,15 |
| MIC15 T1 TB DATA 18 H | 16,15 |
| MIC15 T1 TB DATA 19 H | 16,15 |
| MIC15 T1 TB DATA 20 H | 15,16 |
| MIC15 T1 TB DATA 21 H | 16,15 |

NOTES:
 1. THIS PAGE LISTS THE SCHEMATIC PAGE NUMBER(S) WHERE A SIGNAL NAME IS REFERENCED.

THIS DRAWING AND SPECIFICATIONS ARE THE PROPERTY OF DIGITAL EQUIPMENT CORPORATION AND SHALL NOT BE REPRODUCED OR COPIED OR USED IN WHOLE OR IN PART AS THE BASIS FOR THE MANUFACTURE OR SALE OF ITEMS WITHOUT WRITTEN PERMISSION. COPYRIGHT © 1988, DIGITAL EQUIPMENT CORPORATION.

| REVISIONS |
|--------------------|
| CHK CHANGE NO. REV |
| |

| | | | | | |
|---|------------------|---|----------------------------|----------------------------|-------------------------------------|
| digital | DRN. <i>W.M.</i> | DATE <i>21-MAR-88</i> | ENG. | DATE | TITLE: MIC FORWARD REFERENCE |
| | CHK'D. | DATE | BOARD LOCATION: AC3 | SHEET 1 OF 1 | REV. B |
| FIRST USED ON OPTION/MODEL: 11/750 | | NEXT HIGHER ASSEMBLY: B-DD-L0003-0-0 | | SIZE CODE D CS | NUMBER L0003-0-21 |

8

7

6

5

4

3

2

1

22-0-10007
SIZE CODE NUMBER

| SIGNAL NAME | PAGE NUMBER(S) |
|------------------------|----------------------------|
| MIC15 T1 TB DATA 22 H | 16,15 |
| MIC15 T1 TB DATA 23 H | 16,15 |
| MIC15 T1 TB M BIT H | 15,16 |
| MIC16 AC 0 H | 05,16,17,07 |
| MIC16 AC 1 H | 05,16,17,07 |
| MIC16 AC 2 H | 05,16,17,07 |
| MIC16 AC 3 H | 05,16,17,07 |
| MIC16 M BIT H | 05,16,17,07 |
| MIC16 T0 WRITE ENA L | 15,16,14 |
| MIC16 T1 WRITE ENA L | 15,16,14 |
| MIC16 TB HIT 1 L | 16 |
| MIC16 TB PAR OUT 0 L | 16,17 |
| MIC16 TB PAR OUT 1 L | 16,17 |
| MIC16 TB PAR OUT 2 L | 16,17 |
| MIC16 TB VALID H | 16,07 |
| MIC17 T TAG PAR IN H | 14,17 |
| MIC17 TB DATA PERR 0 H | 15,04,17 |
| MIC17 TB DATA PERR 0 L | 17 |
| MIC17 TB DATA PERR 1 H | 15,04,17 |
| MIC17 TB DATA PERR 1 L | 17 |
| MIC17 TB DATA PERR 2 H | 15,04,17 |
| MIC17 TB DATA PERR 2 L | 17 |
| MIC17 TB DATA PERR H | 17,07 |
| MIC17 TB TAG 0 PERR H | 07,17 |
| MIC17 TB TAG 1 PERR H | 07,17 |
| MIC18 B CLK L | 18,06,04,05,11,07,01,02,03 |
| MIC18 INH LATCH MA H | 06,10 |
| MIC18 INTERRUPT INH H | 18 |
| MIC18 LATCHED UTRAP H | 18,04 |
| MIC18 MIC LD OSR L | 18,04,06 |
| MIC18 X STALL H | 18,04 |
| MIC18 X STALL L | 18,04 |
| MICRO VECTOR 0 H | 04,07 |
| MICRO VECTOR 1 H | 04,07 |
| MICRO VECTOR 2 H | 04,07 |
| MICRO VECTOR 3 H | 04,07 |
| PAD 02 H | 11,00,01 |
| PAD 03 H | 15,11,05,16,00,01 |
| PAD 04 H | 15,11,05,16,00,02 |
| PAD 05 H | 15,11,05,16,00,02 |
| PAD 06 H | 15,11,05,16,00,02 |
| PAD 07 H | 15,11,05,16,00,02 |
| PAD 08 H | 11,05,16,14,00,01,17 |
| PAD 09 H | 16,15,11,17,00,01 |
| PAD 10 H | 11,16,15,17,00,01 |
| PAD 11 H | 16,15,11,17,00,01 |
| PAD 12 H | 12,15,16,17,11,00,02 |
| PAD 13 H | 12,16,15,17,11,00,02 |
| PAD 14 H | 12,16,15,17,11,00,02 |
| PAD 15 H | 12,16,15,17,11,00,02 |
| PAD 16 H | 15,12,16,17,11,00,01 |

| SIGNAL NAME | PAGE NUMBER(S) |
|------------------------|-------------------------|
| PAD 17 H | 16,15,12,17,11,00,01 |
| PAD 18 H | 16,15,05,12,17,11,00,01 |
| PAD 19 H | 16,15,05,12,17,11,00,01 |
| PAD 20 H | 15,05,16,12,17,11,00,02 |
| PAD 21 H | 16,15,05,12,17,11,00,02 |
| PAD 22 H | 16,15,05,12,17,11,00,02 |
| PAD 23 H | 16,15,05,12,17,11,00,02 |
| RDM V CLOCK H | 04 |
| RDM V LOAD H | 04 |
| SCND UB H | 05 |
| TB HIT 0 H | 05,07,06,16 |
| TB HIT 1 H | 16,05,07,06 |
| UB103 FORCE CACHE PE L | 13,12 |
| UB103 FORCE TB PE L | 17 |
| UB103 RTUT DINH L | 04,07,06 |
| UB112 CHI UB INH L | 04 |
| UB113 MSED INIT L | 07,06 |
| UB114 UB INT GRANT H | 07 |
| UBUS 00 H | 01,03 |
| UBUS 01 H | 03,01 |
| UBUS 02 H | 03,01 |
| UBUS 03 H | 03,01 |
| UBUS 04 H | 03,02 |
| UBUS 05 H | 02,03 |
| UBUS 06 H | 03,02 |
| UBUS 07 H | 03,02 |
| UBUS 08 H | 01,03 |
| UBUS 09 H | 03,01 |
| UBUS 10 H | 03,01 |
| UBUS 11 H | 01,03 |
| UBUS 12 H | 03,02 |
| UBUS 13 H | 02,03 |
| UBUS 14 H | 03,02 |
| UBUS 15 H | 02,03 |
| UBUS 16 H | 01,03 |
| UBUS 17 H | 01,03 |
| UBUS 18 H | 03,01 |
| UBUS 19 H | 01,03 |
| UBUS 20 H | 02,03 |
| UBUS 21 H | 02,03 |
| UBUS 22 H | 03,02 |
| UBUS 23 H | 02,03 |
| UBUS 24 H | 06,07,01,03 |
| UBUS 25 H | 06,07,01,03 |
| UBUS 26 H | 06,07,01,03 |
| UBUS 27 H | 06,07,01,03 |
| UBUS 28 H | 02,03 |
| UBUS 29 H | 02,03 |
| UBUS 30 H | 02,03 |
| UBUS 31 H | 02,03 |

| SIGNAL NAME | PAGE NUMBER(S) |
|-------------|----------------|
| XBUF 00 H | 01 |
| XBUF 09 H | 01 |
| XBUF 10 H | 01 |
| XBUF 11 H | 01 |
| XBUF 12 H | 02 |
| XBUF 13 H | 02 |
| XBUF 14 H | 02 |
| XBUF 15 H | 02 |

NOTES:
1. THIS PAGE LISTS THE SCHEMATIC PAGE NUMBER(S) WHERE A SIGNAL NAME IS REFERENCED.

| REVISIONS | CHK | CHANGE NO. | REV |
|-----------|-----|------------|-----|
| | | | |

digital ORN: *WJM* DATE: 06-NOV-88 ENG: DATE: TITLE: MIC FORWARD REFERENCE
 CHK'D: DATE: BOARD LOCATION: AC3 SHEET: 1 OF 1
 (160,1271) MIC22.DRW 06-NOV-88 18:32 NEXT HIGHER ASSEMBLY: SIZE CODE NUMBER REV.
 FIRST USED ON OPTION/MODEL: 11/750 B-DD-L0003-0-0 D CS L0003-0-22 C

| DRAWING NO. | NO. OF SHTS. | PART NO. | DESCRIPTION | REVISIONS | | | | | | | | | | | | | | | | | | | |
|------------------|--------------|----------|--------------------------------|-----------|---|---|---|---|-----|--|--|--|--|--|--|--|--|--|--|--|--|--|--|
| | | | | C | D | E | F | H | J | | | | | | | | | | | | | | |
| | | | MODULE REVISION | C | D | E | F | H | J | | | | | | | | | | | | | | |
| B-DD-L0004-0 | 2 | | UBI DRAWING DIRECTORY | C | D | E | F | H | J | | | | | | | | | | | | | | |
| E-UA-L0004-0-0 | 2 | | UBI UNIT ASSEMBLY | C | D | E | F | H | J | | | | | | | | | | | | | | |
| K-PL-L0004-0-DBP | 4 | | UBI PARTS LIST | C | C | D | E | E | F | | | | | | | | | | | | | | |
| E-MD-5013827-0-0 | 6 | | UBI DRILL & ETCH DRAWINGS | C | D | D | D | D | E | | | | | | | | | | | | | | |
| | | 5013827 | ETCHED BOARDS | D | D | D | D | D | EP2 | | | | | | | | | | | | | | |
| K-PC-L0004-0-DBC | | | UBI PC DESIGN DATA BASE CALDEC | D | D | D | D | D | EP2 | | | | | | | | | | | | | | |
| E-EC-5013827-0-0 | 3 | | UBI ETCH CUT DRAWINGS | C | D | E | F | H | J | | | | | | | | | | | | | | |
| K-CS-L0004-0-DBS | | | UBI DESIGN DATA BASE SUDS | C | D | E | F | H | J | | | | | | | | | | | | | | |
| D-CS-L0004-0-1 | 1 | * | TOY OFFSET MEMORY | C | C | C | D | D | D | | | | | | | | | | | | | | |
| D-CS-L0004-0-2 | 1 | * | TIME OF YEAR CLOCK | C | C | C | C | C | D | | | | | | | | | | | | | | |
| D-CS-L0004-0-3 | 1 | * | LATCH-PAR-GEN HELP- SIGNALS | C | C | C | D | D | E | | | | | | | | | | | | | | |
| D-CS-L0004-0-4 | 1 | * | UBUS RESISTOR PACKS | C | C | C | C | C | C | | | | | | | | | | | | | | |
| D-CS-L0004-0-5 | 1 | * | CUI - UBUS ADDRESS 1 OF 2 | C | C | C | C | C | C | | | | | | | | | | | | | | |
| D-CS-L0004-0-6 | 1 | * | CUI - UBUS ADDRESS 2 OF 2 | C | C | C | C | C | C | | | | | | | | | | | | | | |
| D-CS-L0004-0-7 | 1 | * | DATA PATH | C | C | C | C | C | C | | | | | | | | | | | | | | |
| D-CS-L0004-0-8 | 1 | * | CUI MAP | C | C | C | C | C | C | | | | | | | | | | | | | | |
| D-CS-L0004-0-9 | 1 | * | CUI MAP DECODE | C | C | C | C | C | C | | | | | | | | | | | | | | |
| D-CS-L0004-0-10 | 1 | * | CONTROL LOGIC | C | C | C | C | D | D | | | | | | | | | | | | | | |
| D-CS-L0004-0-11 | 1 | * | CUI CONTROL ROM | C | C | C | C | C | C | | | | | | | | | | | | | | |
| D-CS-L0004-0-12 | 1 | * | CONSOLE INTERFACE | C | D | D | D | D | D | | | | | | | | | | | | | | |
| D-CS-L0004-0-13 | 1 | * | UBUS CONTROL | C | C | C | D | D | D | | | | | | | | | | | | | | |
| D-CS-L0004-0-14 | 1 | * | AC - DC LO MSEQ INIT | C | C | C | C | C | C | | | | | | | | | | | | | | |
| D-CS-L0004-0-15 | 1 | * | INT & ID LOGIC ROM INTERFACE | C | C | D | E | F | H | | | | | | | | | | | | | | |
| D-CS-L0004-0-16 | 1 | * | FORWARD REFERENCE | C | C | C | D | D | D | | | | | | | | | | | | | | |

NOTES:

- * CONTROL SOURCE IS THE SUDS DATA BASE
 NO CONTROLLED PAPER ORIGINALS EXIST
- ALL DOCUMENTATION WAS RELEASED AT REVISION 'C'

| REVISIONS | | DATE | CHG NO. | REV. | D | E | F | H | J |
|-----------|--|-------|---------|------|---|---|---|---|---|
| | | 6-80 | TW001 | | | | | | |
| | | 9-80 | TW002 | | | | | | |
| | | 6-81 | TW003 | | | | | | |
| | | 7-81 | TW004 | | | | | | |
| | | 11-81 | TW005 | | | | | | |

"THIS DRAWING AND SPECIFICATIONS, HEREIN, ARE THE PROPERTY OF DIGITAL EQUIPMENT CORPORATION AND SHALL NOT BE REPRODUCED OR COPIED OR USED IN WHOLE OR IN PART AS THE BASIS FOR THE MANUFACTURE OR SALE OF ITEMS WITHOUT WRITTEN PERMISSION.
 COPYRIGHT © 1981 DIGITAL EQUIPMENT CORPORATION



| | | |
|--------------------------------|-----------------|----------------|
| USED ON OPTION/MODEL 11/750 | DRN. J. CASEY | TITLE UBI |
| | CHK'D J. CASEY | SIZE B DD |
| | ENG. S. SMITH | CODE DD |
| | PROD. V. PARKER | NUMBER L0004-0 |
| | | REV. J |
| | | SHÉET 1 OF 2 |

TW

| DRAWING NO. | NO. OF SHTS. | PART NO. | DESCRIPTION | REVISIONS | | | | | | | | | | | | | | | | | | | | | | | | | |
|-----------------|--------------|----------|-----------------------|-----------|---|---|---|---|---|---|---|---|----|----|----|----|----|----|----|----|----|----|----|----|----|----|----|----|----|
| | | | | 1 | 2 | 3 | 4 | 5 | 6 | 7 | 8 | 9 | 10 | 11 | 12 | 13 | 14 | 15 | 16 | 17 | 18 | 19 | 20 | 21 | 22 | 23 | 24 | 25 | 26 |
| D-CS-L0004-0-17 | 1 | * | FORWARD REFERENCE | C | c | C | D | D | D | | | | | | | | | | | | | | | | | | | | |
| D-CS-L0004-0-18 | 1 | * | FORWARD REFERENCE | C | D | D | E | F | F | | | | | | | | | | | | | | | | | | | | |
| D-CS-L0004-0-19 | 1 | * | FORWARD REFERENCE | C | c | C | C | C | C | | | | | | | | | | | | | | | | | | | | |
| D-BD-L0004-0-20 | 1 | | UBI BLOCK DIAGRAM | C | c | C | C | C | C | | | | | | | | | | | | | | | | | | | | |
| K-MP-L0004-0-21 | 26 | | UBI MICROCODE LISTING | C | c | C | C | C | C | | | | | | | | | | | | | | | | | | | | |
| K-MC-L0004-0-0 | | | UBI MICROCODE TAPE | C | c | C | C | C | C | | | | | | | | | | | | | | | | | | | | |

NOTES: * CONTROL SOURCE IS THE SUDS DATA BASE
 NO CONTROLLED PAPER ORIGINALS EXIST
 ALL DOCUMENTATION WAS RELEASED AT REVISION 'C'

| REVISIONS | DATE | CHG NO. | REV. |
|-----------|------|---------|------|
| | | | |

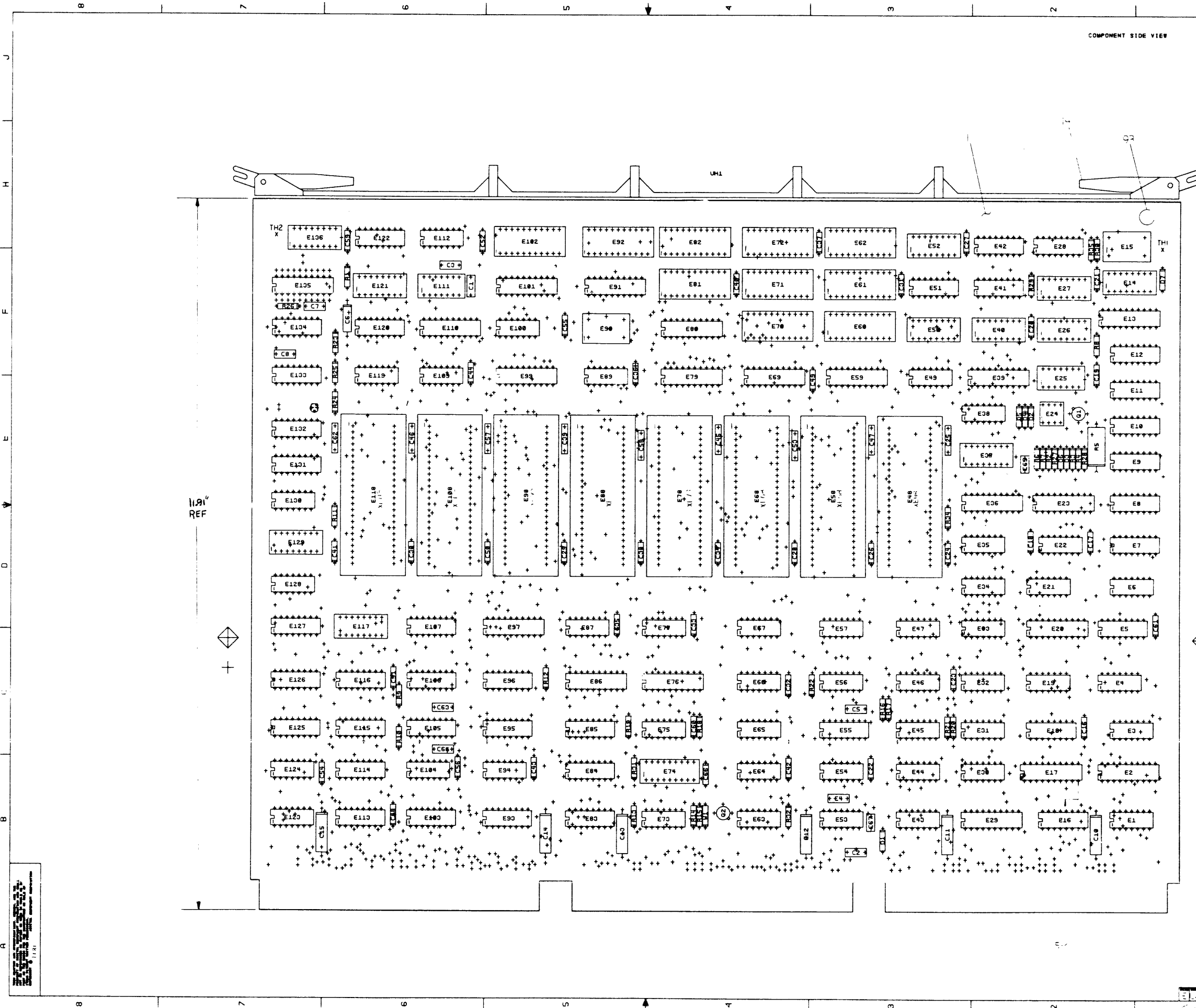
THIS DRAWING AND SPECIFICATIONS, HEREIN, ARE THE PROPERTY OF DIGITAL EQUIPMENT CORPORATION AND SHALL NOT BE REPRODUCED OR COPIED OR USED IN WHOLE OR IN PART AS THE BASIS FOR THE MANUFACTURE OR SALE OF ITEMS WITHOUT WRITTEN PERMISSION.
 COPYRIGHT © 1981 DIGITAL EQUIPMENT CORPORATION



| | |
|--------------------------------|-----------------|
| USED ON OPTION/MODEL 11/750 | DRN. J. CASEY |
| | CHK'D J. CASEY |
| | ENG. S. SMITH |
| | PROD. V. PARKER |

| | | | |
|--------------|------------|-------------------|-----------|
| TITLE UBI | | | |
| SIZE B | CODE DD | NUMBER L0004-0 | REV. J |
| SHEET 2 OF 2 | | | |

ru



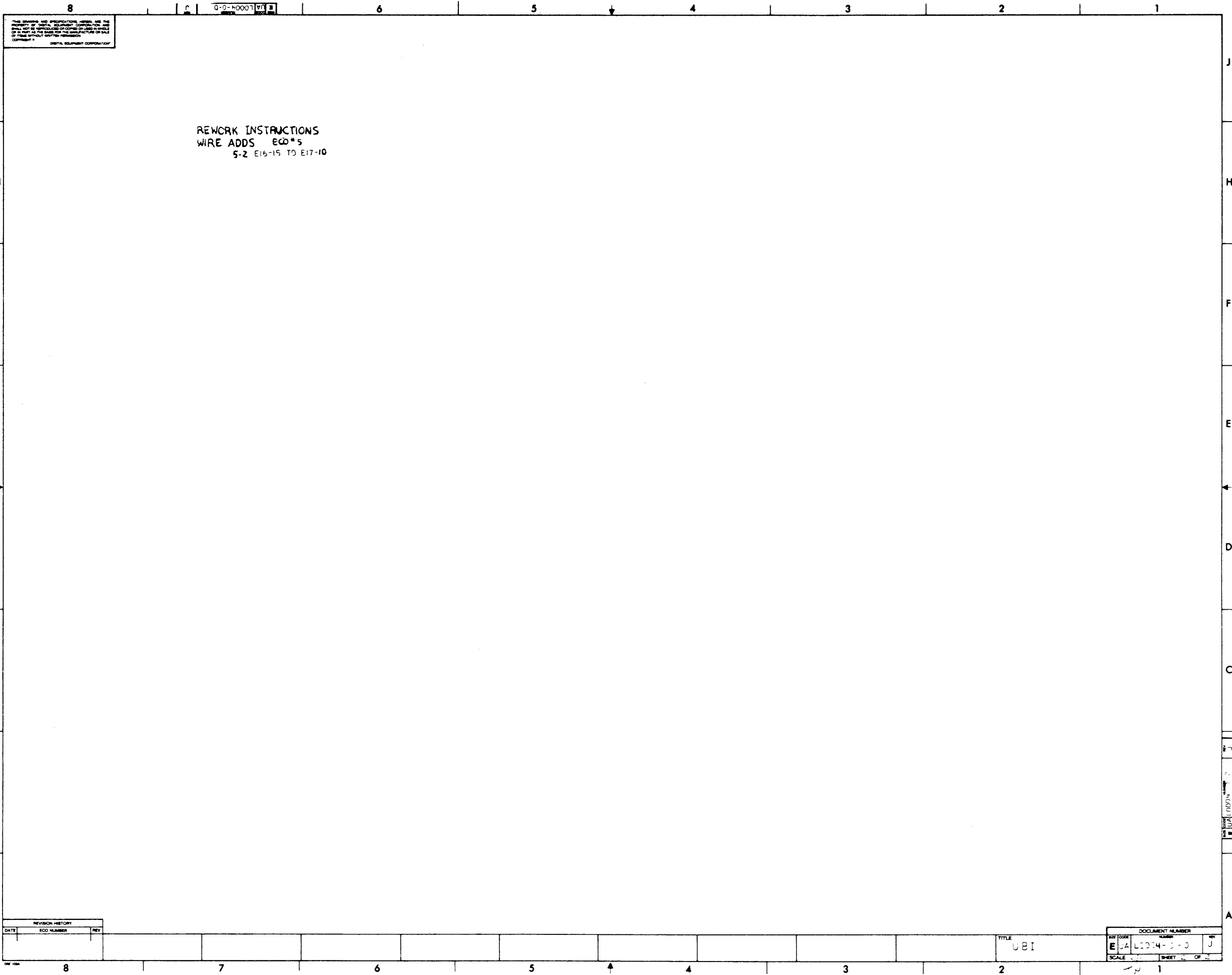
COMPONENT SIDE VIEW

11.91
REF

| | | | |
|----------|---------|-------------|----------|
| DATE | 2/27/77 | DESIGNED BY | digital |
| CHK'D BY | | PROJ. ENG. | UBI |
| SCALE | 1:1 | SIZE CODE | NUMBER 0 |
| REV | 0 | REV | 0 |

| | | | | | |
|--------|---|--------|------|----|-------|
| STEP | 1 | Y AXIS | STEP | 11 | TIMES |
| REPART | | X AXIS | STEP | 11 | TIMES |

| | | | |
|-----|----|-----|--|
| CHG | NO | REV | |
|-----|----|-----|--|



THIS DRAWING AND SPECIFICATIONS HEREON ARE THE PROPERTY OF DIGITAL EQUIPMENT CORPORATION AND SHALL NOT BE REPRODUCED OR COPIED OR USED IN WHOLE OR IN PART AS THE BASIS FOR THE MANUFACTURE OR SALE OF ITEMS WITHOUT WRITTEN PERMISSION.
 COPYRIGHT © DIGITAL EQUIPMENT CORPORATION

REWORK INSTRUCTIONS
 WIRE ADDS ECO#5
 5-2 E16-15 TO E17-10

| REVISION HISTORY | | |
|------------------|------------|-----|
| DATE | ECO NUMBER | REV |
| | | |

| | | | |
|-------|-----|-----------------|---|
| TITLE | | DOCUMENT NUMBER | |
| UBI | EJA | L0004-0-0 | J |
| SCALE | | SHEET 2 OF 2 | |

| LINE | ITEM | DOCUMENT NUMBER | PART NUMBER | DESCRIPTION | QTY | PER VARIATION | REFERENCE DESIGNATOR |
|------|------|------------------|-------------|-------------------------------|-----|---------------|--|
| 1 | | E-MD-5013827-0-0 | 5013827-00 | CIRCUIT BOARD (PCB) | 1 | | |
| | | | 1000019-00 | 150.0 MMF 100V 5%200PPM MICA | 1 | | C8 |
| | | | 1000023-00 | 330.0 MMF 100V 5%200PPM MICA | 4 | | C1-C4 |
| | | | 1000024-00 | 470.0 MMF 100V 5%200PPM MICA | 1 | | C5 |
| | | | 1000043-00 | 1000.0 MMF 250V 20% Y5F DISC | 2 | | C63, C64 |
| | | SEE NOTES | 1012084-01 | 8 MFD 25V +75-10% AL EL | 6 | | C10-C15 |
| | | | 1009964-00 | .68 MFD 100V 10% S.TANT | 1 | | C6 |
| | | | 1010978-40 | .22 MFD 50V 10% CER | 1 | | C65 |
| | | | 1012754-00 | .047 MFD 50V +80-20% CER | 48 | | C16-C62, C66 |
| | | | 1010978-24 | .01 MFD 50V 10% CER | 2 | | C9, C67 |
| | | | 1104860-00 | 1N 746A VZ= 3.3 5% | 1 | | D1 |
| | | | 1105796-00 | 1N 4004 PIV=400 I= 1A DO41 SP | 4 | | D2-D5 |
| | | | 1105871-01 | 1/4M3.0A21 - 3.0 1% .25W N | 1 | | D6 |
| | | | 1210711-02 | /REPLACED BY 12-16988-02 | 1 | | |
| | | | 1211164-04 | *** THIS ITEM IS NOT USED *** | - | | |
| | | | 1215924-00 | SKT, IC 48PIN DIP GOLD PLATE | 8 | | XE48, XE58, XE68, XE78, XE88, XE98, XE108, XE118 |
| | | | 1215935-00 | GASKET, THERMAL .50"X.80" | 8 | | |
| | | | 1215936-00 | HEAT SINK, FORCED CONVECTION | 8 | | |
| | | | 1300005-04 | R NETWORK 15-470 5.0 % 16PIN | 1 | | E37 |
| | | | 1300005-07 | R NETWORK 15-4.7K 5.0 % 16PIN | 1 | | E40 |
| | | | 1300316-00 | 470.0 .25 W 5.0 % CC | 1 | | R20 |
| | | | 1300365-00 | 1.0 K .25 W 5.0 % CC | 14 | | R1, R8, R12-R19, R22, R23, R30, R31 |
| | | | 1300398-00 | 1.80 K .25 W 5.0 % CC | 2 | | R4, R28 |
| | | | 1300432-00 | 3.0 K .25 W 5.0 % CC | 1 | | R11 |
| | | | 1300447-00 | 4.70 K .25 W 5.0 % CC | 3 | | R2, R3 |
| | | | 1302394-00 | 30.0 K .25 W 5.0 % CC | 1 | | R23 |
| | | | 1305346-00 | 27.0 K .25 W 5.0 % CC | 1 | | R25 |
| | | | 1301322-00 | 150.0 .25 W 5.0 % CC | 1 | | R21 |
| | | | 1301423-00 | *** THIS ITEM IS NOT USED *** | - | | |

| | | | | | | | |
|------------------|-------------|----------------------|-------------------------|---------------------------------|------------------------------------|-----------------------|------------|
| REVISION HISTORY | | BASIC PART NO: L0004 | | DRN: K.FRIEDGEN | DATE: 04-MAY-79 | D I G I T A L | |
| ENG: | ECO NUMBER | REV: | SECTION A OF A | CHK'D: E.T.GERRY | DATE: 04-MAY-79 | TITLE PARTS LIST | |
| | INITIAL | | SECTION VARIATION INDEX | DES.ENG: S.SMITH | DATE: 4-MAY-79 | U.B.I. | |
| TK | L0004-TW002 | | [A] 00 | RESP.ENG.: S.SMITH | DATE: 04-MAY-79 | DOCUMENT NUMBER | |
| D L | L0004-TW003 | | [B] | MFG.ENG.: VANCE PARKER | DATE: 8-FEB-80 | SIZE: K | CODE: PL |
| LL | TW005 | | [C] | ASSEMBLY NUMBER: E-UA-L0004-0-0 | TOP DOCUMENT NUMBER: #B-DD-L0004-0 | NUMBER: L0004-0-DBP | REV: F |
| | | | [D] | | | FILE NAME: Z1256F.PLS | EDIT #: 20 |
| | | | [E] | | | | |
| | | | [F] | | | | |
| | | | [G] | | | | |
| | | | [H] | | | | |
| | | | [I] | | | | |
| | | | [J] | | | | |
| | | | [K] | | | | |
| | | | [L] | | | | |
| | | | [M] | | | | |
| | | | [N] | | | | |

"THIS DRAWING AND SPECIFICATIONS HEREIN, ARE THE PROPERTY OF DIGITAL EQUIPMENT CORPORATION AND SHALL NOT BE REPRODUCED OR COPIED OR USED IN WHOLE OR IN PART AS THE BASIS FOR THE MANUFACTURE OR SALE OF ITEMS WITHOUT WRITTEN PERMISSION. COPYRIGHT (C) 1982. DIGITAL EQUIPMENT CORPORATION"

| LINE | ITEM | DOCUMENT NUMBER | PART NUMBER | DESCRIPTION | QTY | PER VARIATION | REFERENCE DESIGNATOR |
|------|------|-----------------|-------------|---------------------------------|-----|---------------|-------------------------------------|
| 63 | 63 | | 1301571-00 | 68.0 1.0 W 5.0 % CC | 1 | | R5 |
| 64 | 64 | | 1304838-00 | 43.0 K .25 W 5.0 % CC | 1 | | R24 |
| 65 | 65 | | 1302514-00 | 39.0 K .25 W 5.0 % CC | 1 | | R26 |
| 66 | 66 | | 1305125-00 | 383.0 .25 W 1.0 % RN550-F10 | 1 | | R9, R10 |
| 67 | 67 | | 1312628-00 | R NETWORK 14-176.5 14-375 16PIN | 2 | | E93, E114 |
| 68 | 68 | | 1312628-01 | R NETWORK 14-176.5 11-375 16PIN | 2 | | E103, E113 |
| 69 | 69 | | 1509649-01 | 3762 PNP 4W SI 40 35 | 1 | | Q1 |
| 70 | 70 | | 1811660-23 | OSCILLATOR, XTAL 5.5296 MHZ | 1 | | E90 |
| 71 | 71 | | 1813951-00 | OSCILLATOR, XTAL 1.0 KHZ | 1 | | E15 |
| 72 | 72 | | 1909705-00 | DEC 8881 NAND GATE-QUAD 2IN 0 | 1 | | E94, E123 |
| 73 | 73 | | 1910322-00 | DEC 1488L DRIVER LINE, QUAD, EI | 1 | | E111 |
| 74 | 74 | | 1910323-00 | DEC 1489L RECEIVER LINE, QUAD | 1 | | E53 |
| 75 | 75 | | 1910436-00 | DEC 74123 ONE SHOT-DUAL, RETRIG | 1 | | E133, E134 |
| 76 | 76 | | 1910532-00 | 74500 NAND GATE-QUAD 2IN | 4 | | E60, E66, E77, E100 |
| 77 | 77 | | 1910533-00 | 74503 NAND GATE-QUAD 2IN 0 | 1 | | E45 |
| 78 | 78 | | 1910534-00 | 74504 INVERTER GATE-HEX 11 | 3 | | E81, E87 |
| 79 | 79 | | 1910535-00 | 74505 INVERTER GATE-HEX 1 | 1 | | E66 |
| 80 | 80 | | 1910536-00 | 74510 NAND GATE-TRIPLE 3IN | 1 | | E19, E65, E89 |
| 81 | 81 | | 1910539-00 | 74520 NAND GATE-DUAL 4INPU | 1 | | E75, E109 |
| 82 | 82 | | 1910544-00 | 74574 FF-D DUAL, EDGE TRIGG | 5 | | E4, E32, E44, E67, E119 |
| 83 | 83 | | 1910550-00 | 745174 FF-D HEX | 1 | | E127 |
| 84 | 84 | | 1910957-00 | 745175 FF-D QUAD COMMON CLO | 3 | | E5, E55, E132 |
| 85 | 85 | | 1911463-00 | DEC 8640 RECEIVER, BUS, QUAD, U | 2 | | E104, E124 |
| 86 | 86 | | 1911573-00 | 745260 PARITY GEN/CHKR, 9BIT | 1 | | E93 |
| 87 | 87 | | 1911579-00 | 8641 TRANSCEIVER, BUS, QUA | 11 | | E83-E85, E95, E96, E105, E106, E115 |
| 88 | 88 | | 1911641-00 | SN 745257 MUX, QUAD 2 TO 1 | 4 | | E116, E125, E126 |
| 89 | 89 | | 1911675-00 | 745138 DECODER/DEMUX 3-8 LIN | 1 | | E107, E120, E122, E131 |
| 90 | 90 | | 1911712-00 | 74551 AND-OR GATE-INVERT D | 1 | | E18 |
| 91 | 91 | | 1912388-00 | 74502 NOR GATE-QUAD 2IN, PO | 1 | | E54 |
| 92 | 92 | | 1912389-00 | 74508 AND GATE-QUAD 2IN, PO | 2 | | E47, E57, E64, E130 |
| 93 | 93 | | 1912646-00 | LS253 MUX 1 OF 4 (DUAL) | 4 | | E35, E45 |
| 94 | 94 | | 1912793-00 | LS00 NAND-GATE-QUAD 2IN, P | 4 | | E41, E42, E51 |
| 95 | 95 | | 1912810-00 | LS20 NAND GATE-DUAL 4IN | 2 | | E128 |
| 96 | 96 | | 1912812-00 | LS22 NAND GATE-DUAL 4IN, P | 1 | | E30, E44 |
| 97 | 97 | | 1912815-00 | LS30 NAND GATE-SINGLE SIN | 1 | | E43 |
| 98 | 98 | | 1912827-00 | LS83 ADDERS-4BIT | 4 | | E117, E121, E129, E135 |
| 99 | 99 | | 1912863-00 | LS273 FF-D OCTAL W/CLEAR | 1 | | E39 |
| 100 | 100 | | 1913340-00 | 74532 OR GATE-QUAD 2IN | 1 | | E33 |
| 101 | 101 | | 1913493-00 | 745241 OCTAL BUFFER, TRI-STA | 1 | | E76 |
| 102 | 102 | | 1913671-00 | 745374 FF-D OCTAL TRISTATE | 7 | | E2, E13, E17, E20, E23, E29, E36 |
| 103 | 103 | | 1913839-00 | LS165 SHIFT REG, 8BIT | 1 | | E16 |
| 104 | 104 | | 1914085-00 | 745260 NOR GATE-DUAL POS | 1 | | E1 |
| 105 | 105 | | 1914156-00 | LM 393 VOLT COMPARATOR DUAL | 1 | | E24 |
| 106 | 106 | | 1914451-00 | 74LS393 COUNTER, BINARY, 4BIT | 3 | | E6, E63, E112 |
| 107 | 107 | | 1914559-00 | SN 745132N NAND GATE QUAD 2IN P | 1 | | E56 |
| 108 | 108 | | 1914685-00 | DC 611B BIPOLAR, LS, 400-GATE | 2 | | E108, E118 |
| 109 | 109 | | 1914692-00 | DC 618C BIPOLAR, LS, 400-GATE | 4 | | E58, E68, E79, E88 |

CONT

| | | | | | | | | | | | | | | |
|---|---|---|---|---|---|---|-------|--------|-----------|------|------|------|-----------------|-----|
| D | I | G | I | T | A | L | TITLE | U.B.I. | SECTION A | OF A | SIZE | CODE | DOCUMENT NUMBER | REV |
| | | | | | | | | | | | K | PL | L0004-0-DBP | F |

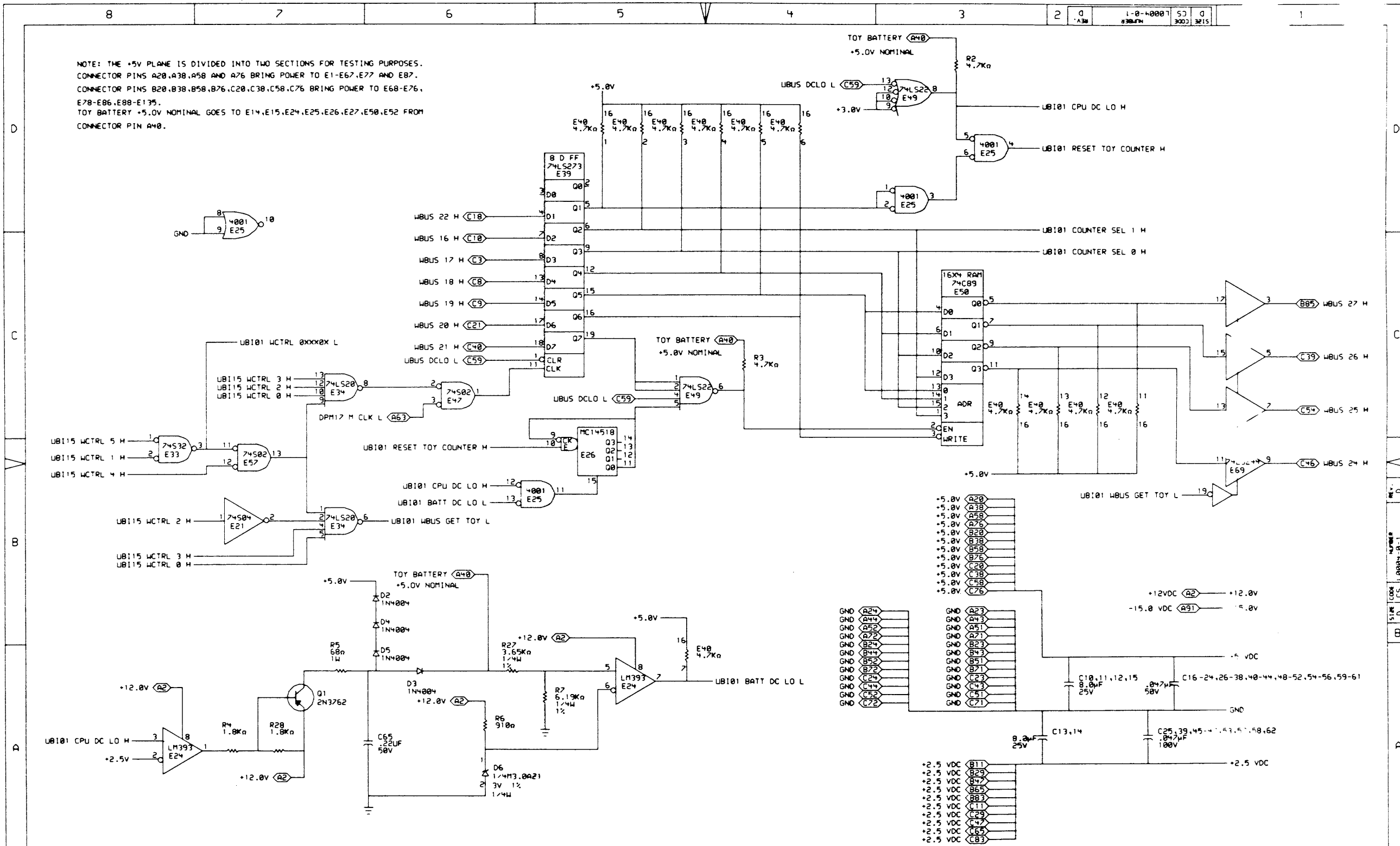
| LINE | ITEM | DOCUMENT NUMBER | PART NUMBER | DESCRIPTION | QTY PER VARIATION | REFERENCE DESIGNATOR |
|------|------|-----------------|-------------|----------------------------------|-------------------|---------------------------------------|
| | | | | | 00 | |
| 77 | 77 | | 1914693-00 | DC 619D BIPOLAR,LS,400-GATE | 1 | E48 |
| 78 | 78 | | 1914704-00 | DC 630B BIPOLAR,LS,400-GATE | 1 | E98 |
| 79 | 79 | | 1915193-00 | LS244 DRIVER,LINE,OCTAL,T | 9 | E59, E69, E79, E80, E86, E97, E99, |
| | | | | | | E101, E110 |
| 80 | 80 | | 1915697-00 | RAM 256X4 TRI-STATE | 10 | E60-E62, E70-E72, E81, E82, E92, E102 |
| 81 | 81 | | 2112623-02 | DUAL BAUD RATE GEN/PROG DIVIDER | 1 | E74 |
| 82 | 82 | | 2113603-00 | 4001UBNOR GATE-QUAD 2IN CM | 1 | E25 |
| 83 | 83 | | 2113647-00 | 4513B COUNTER,DUAL UP BCD | 1 | E26 |
| 84 | 84 | | 2113653-00 | 74C89 RAM 64BIT CMOS TRIST | 1 | E50 |
| 85 | 85 | | 2114462-00 | 4040B COUNTER/DIVIDER,BINA | 3 | E14, E27, E52 |
| 86 | 86 | | 23524A2-00 | A2-05 | 1 | E77 |
| 87 | 87 | | 23525A2-00 | A2-05 | 1 | E8 |
| 88 | 88 | | 23526A2-00 | A2-05 | 1 | E9 |
| 89 | 89 | | 23527A2-00 | A2-05 | 1 | E10 |
| 90 | 90 | | 23528A2-00 | A2-05 | 1 | E11 |
| 91 | 91 | | 23529A2-00 | A2-05 | 1 | E12 |
| 92 | 92 | | 23000A2-05 | *** THIS ITEM IS NOT USED *** | - | |
| 93 | 93 | | 9000024-01 | EYELET,ROLL FLANGE .1210DX .192 | 12 | |
| 94 | 94 | | 1002476-00 | 510.0 MMF 100V 5%200PPM MICA | 1 | C7 |
| 95 | 95 | | 1304835-00 | /REPLACED BY 13-05337-00 | 1 | R27 |
| 96 | 96 | | 1305374-00 | 910.0 .25 W 5.0 % CC | 1 | R6 |
| 97 | 97 | | 1314187-00 | 6.19 K .25 W 1.0 % RN55D-F10 | 1 | R7 |
| 98 | 98 | | 1503121-00 | 2N 2369 NPN 350MW SI N | 1 | Q2 |
| 99 | 99 | | 9009185-00 | JUMPER, WIRE, INSULATED, BLACK B | 1 | W1 |
| 100 | 100 | | 1302379-00 | 75.0 .25 W 5.0 % CC | 2 | R32, R34 |
| 101 | 101 | | 1910542-00 | 74S64 A-J-I GATE 4-2-3-2 | 1 | E38 |
| 102 | 102 | | 1913670-00 | 74S373 LATCH 8BIT TRASP TR | 1 | E91 |
| 103 | 103 | | 1300202-00 | 47.0 .25 W 5.0 % CC | 1 | R35 |
| 104 | 104 | | 1112585-00 | 5953 VZ= 5.2 .40W DO | 1 | D7 |
| 105 | 105 | | 9007200-00 | TRANSIPADS #10134 | 1 | XQ2 |

CONT

106 NOTE: SPARE I.C. LOCATIONS ARE:E130,E135
 107 NOTE: SOME MODULES WILL HAVE 10-05306 INSTEAD OF 10-12084-01

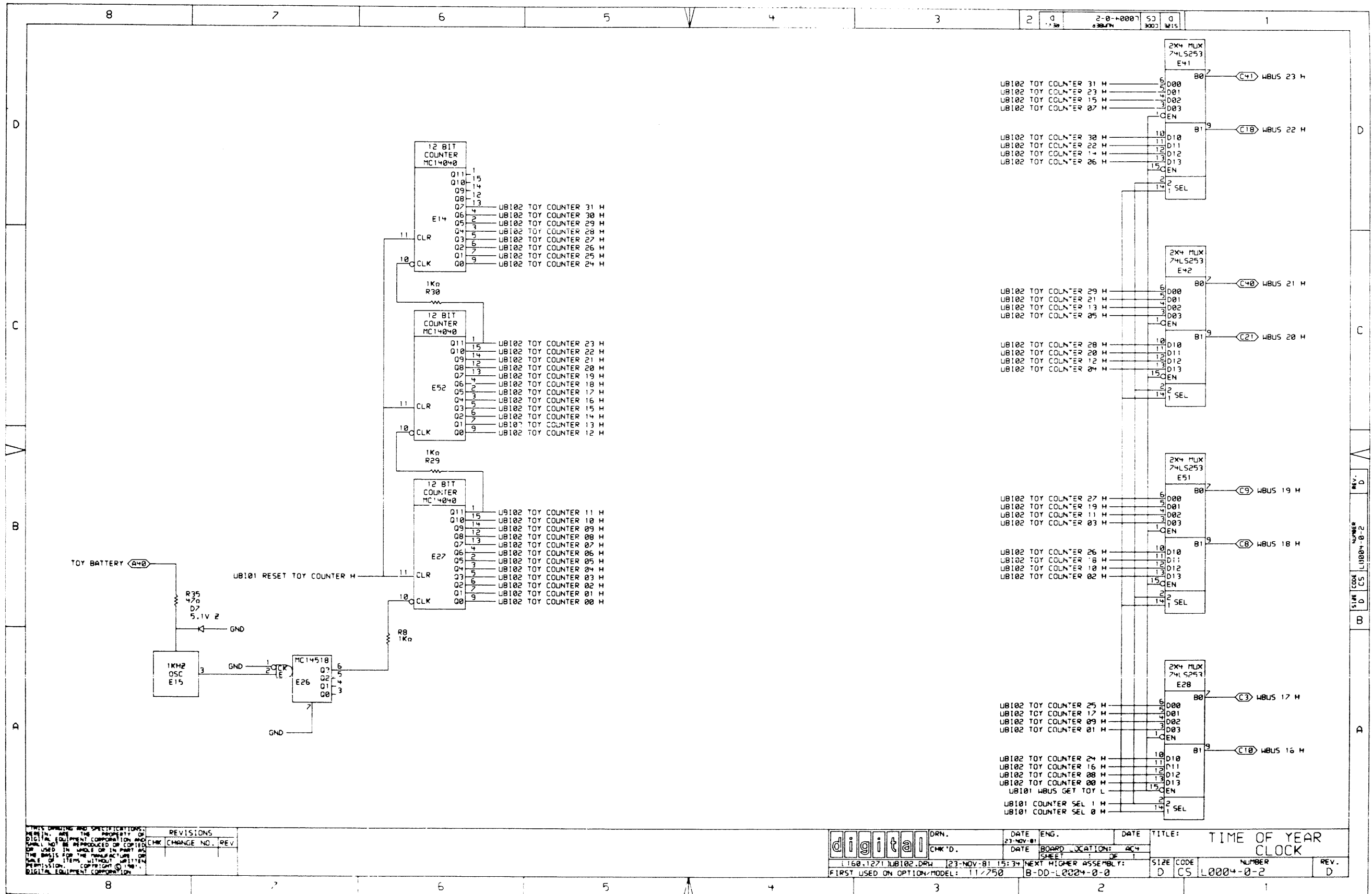
| | | | | | | | | | | | | | | |
|---|---|---|---|---|---|---|-------|--------|-----------|------|------|------|-----------------|-----|
| D | I | G | I | T | A | L | TITLE | U.B.I. | SECTION A | OF A | SIZE | CODE | DOCUMENT NUMBER | REV |
| | | | | | | | | | | | K | PL | L0004-0-DBP | F |

NOTE: THE +5V PLANE IS DIVIDED INTO TWO SECTIONS FOR TESTING PURPOSES.
 CONNECTOR PINS A20, A38, A58 AND A76 BRING POWER TO E1-E67, E77 AND E87.
 CONNECTOR PINS B20, B38, B58, B76, C20, C38, C58, C76 BRING POWER TO E68-E76,
 E78-E86, E88-E135.
 TOY BATTERY +5.0V NOMINAL GOES TO E14, E15, E24, E25, E26, E27, E50, E52 FROM
 CONNECTOR PIN A40.



| REVISIONS | CHK | CHANGE NO. | REV |
|-----------|-----|------------|-----|
| | | | |

| | | | | | |
|------------------------------------|----------------|--------------------------------------|------|-----------|-------------------|
| digital | DRN. R.C./C.S. | DATE | ENG. | DATE | TITLE: |
| | CHK'D. | 26-NOV-81 | | | TOY OFFSET MEMORY |
| FIRST USED ON OPTION MODEL: 117750 | | NEXT HIGHER ASSEMBLY: B-DD-L0004-0-0 | | SIZE | CODE |
| | | | | D | CS |
| | | | | L0004-0-1 | REV. D |

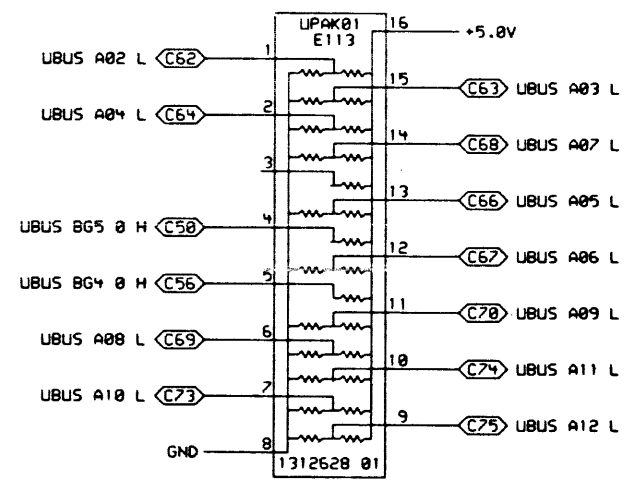
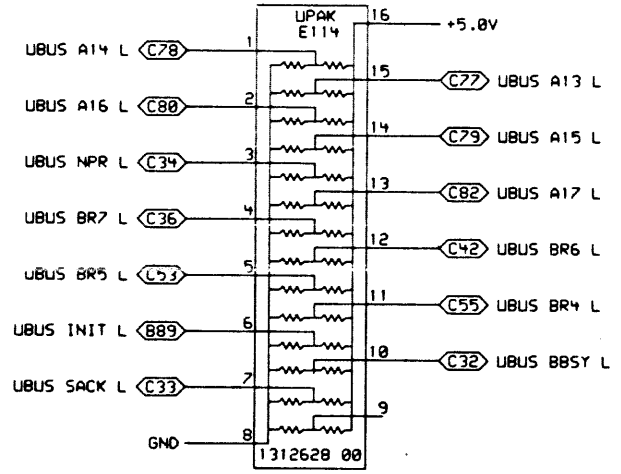
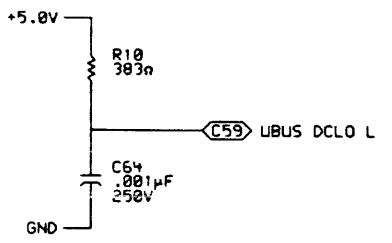
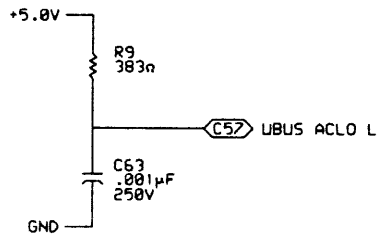
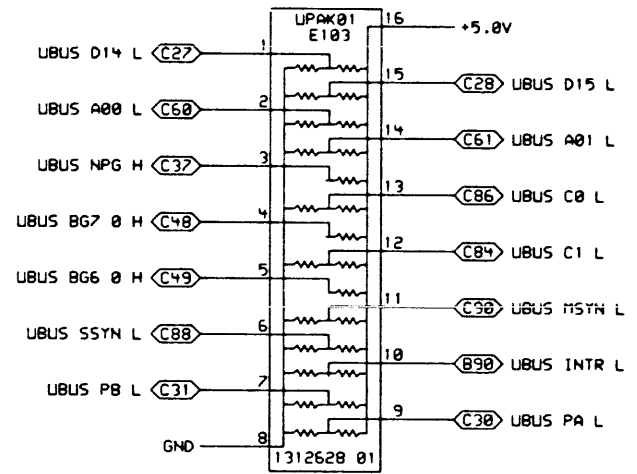
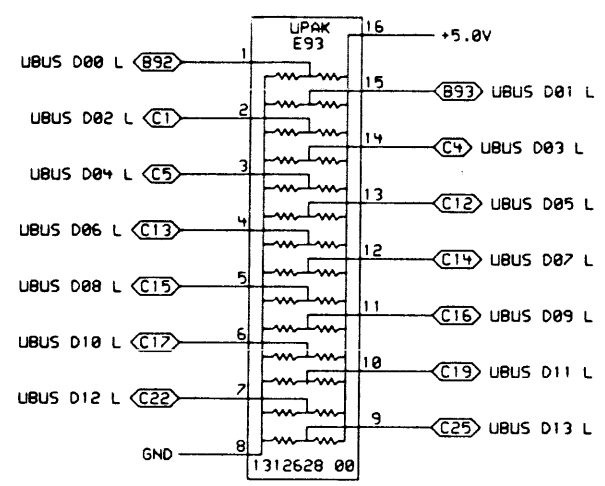


THIS DRAWING AND SPECIFICATIONS ARE THE PROPERTY OF DIGITAL EQUIPMENT CORPORATION AND SHALL NOT BE REPRODUCED OR COPIED OR USED IN WHOLE OR IN PART OR FOR ANY OTHER PURPOSE WITHOUT THE WRITTEN PERMISSION OF DIGITAL EQUIPMENT CORPORATION.

| REVISIONS | | |
|-----------|------------|------|
| CHK | CHANGE NO. | REV. |
| | | |

| | | | | | |
|------------------------------------|--------|-----------------|-----------------------|------|--------------------|
| digital | DRN. | DATE | ENG. | DATE | TITLE: |
| | CHK'D. | 23-NOV-81 | | | TIME OF YEAR CLOCK |
| 160.1271 UB102.DRW | | 23-NOV-81 15:34 | NEXT HIGHER ASSEMBLY: | | SIZE CODE |
| FIRST USED ON OPTION/MODEL: 11/750 | | B-DD-L0004-0-0 | | D CS | NUMBER |
| | | | | | L0004-0-2 |
| | | | | | REV. |
| | | | | | D |

COMETCHIPS: (160.1271)UB102.DPL, SCALE 2, "D" RELEASE BOX
 COMETCHIPS: UB102.PLOX (160.1271) 23-NOV-81 16:14

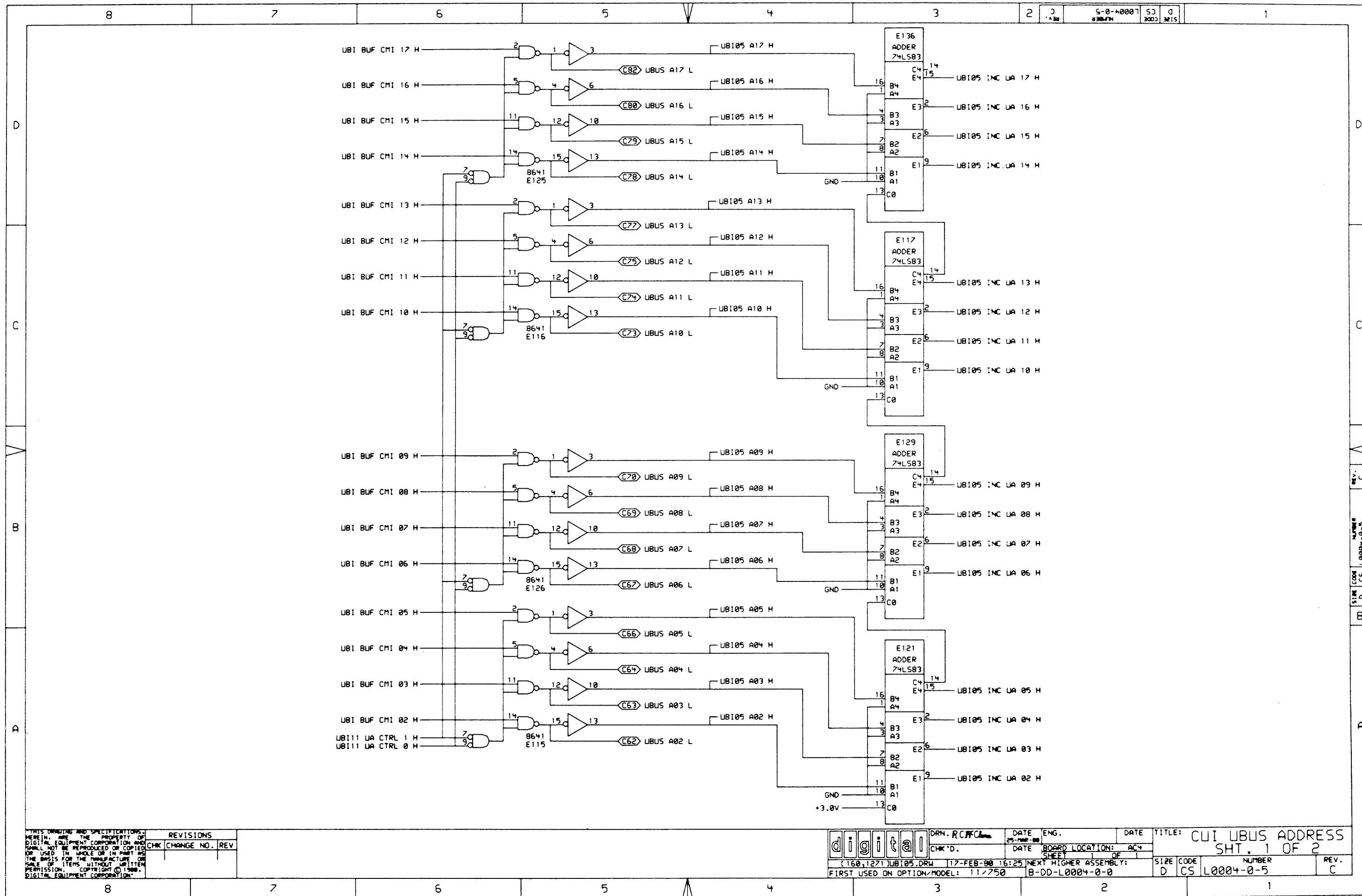


THIS DRAWING AND SPECIFICATIONS HEREIN ARE THE PROPERTY OF DIGITAL EQUIPMENT CORPORATION AND SHALL NOT BE REPRODUCED OR COPIED OR USED IN WHOLE OR IN PART AS THE BASIS FOR THE MANUFACTURE OR SALE OF ITEMS WITHOUT WRITTEN PERMISSION. COPYRIGHT © 1988, DIGITAL EQUIPMENT CORPORATION.

| REVISIONS | |
|-----------|----------------|
| CHK | CHANGE NO. REV |
| | |

digital DRN. R.C.F. DATE 21-MAR-88 ENG. DATE TITLE: UNIBUS RESISTOR PAKS
 [160,1271]UB104.DRW 19-MAR-88 10:37 NEXT HIGHER ASSEMBLY: B-DD-L0003-0-0
 FIRST USED ON OPTION MODEL: 117750

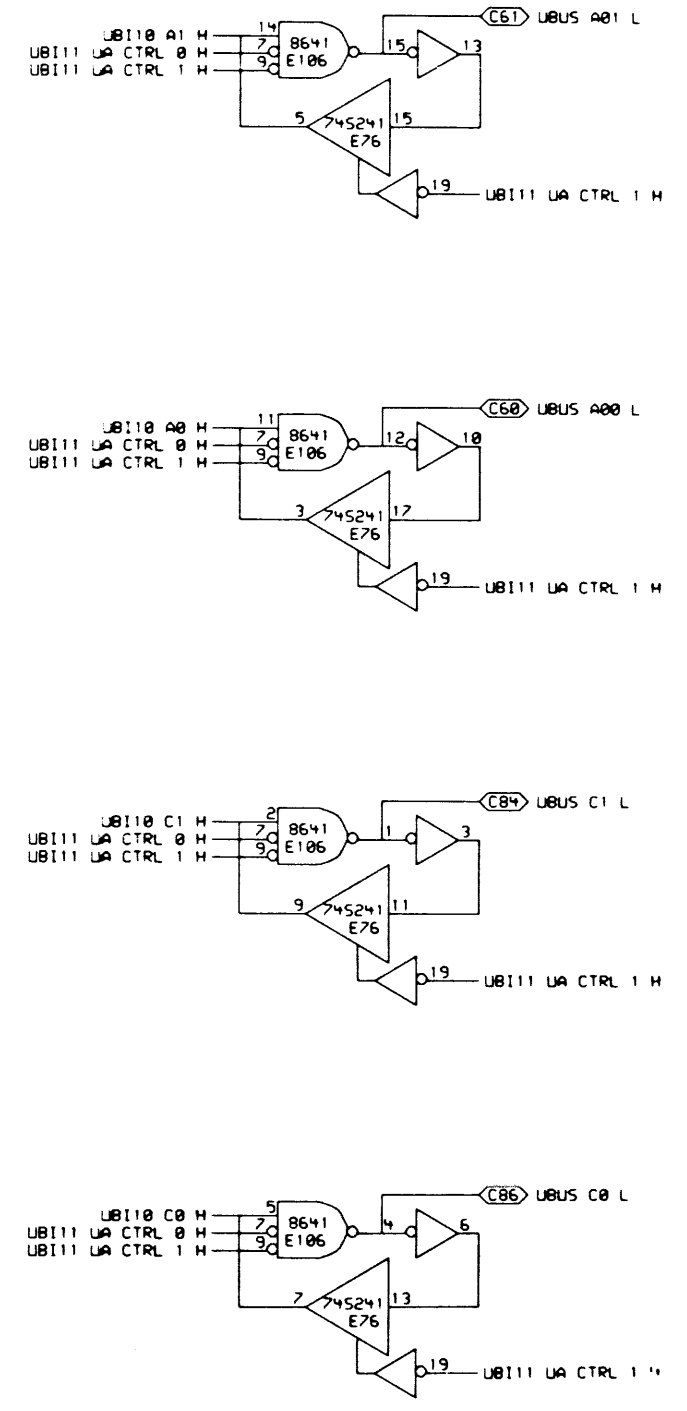
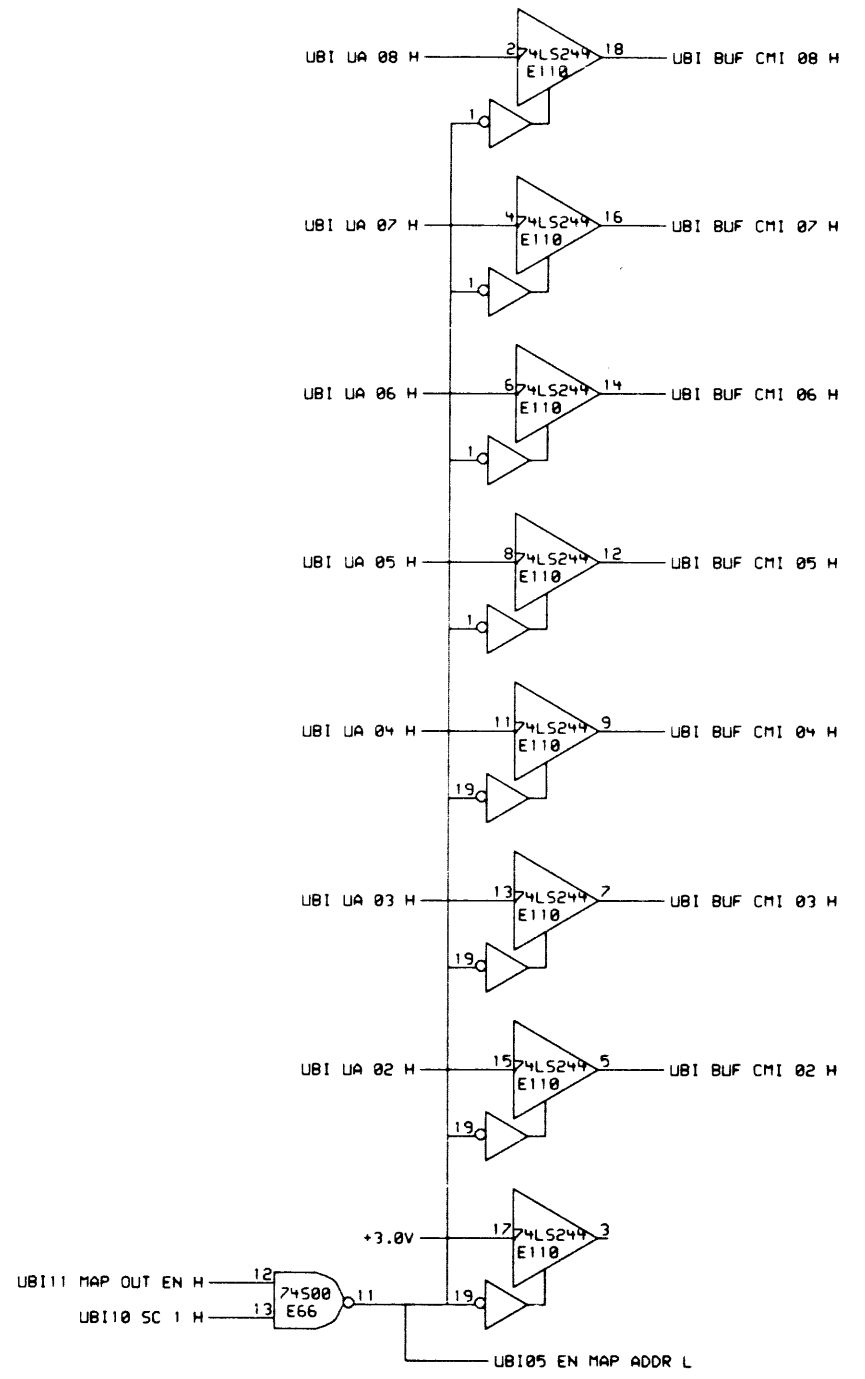
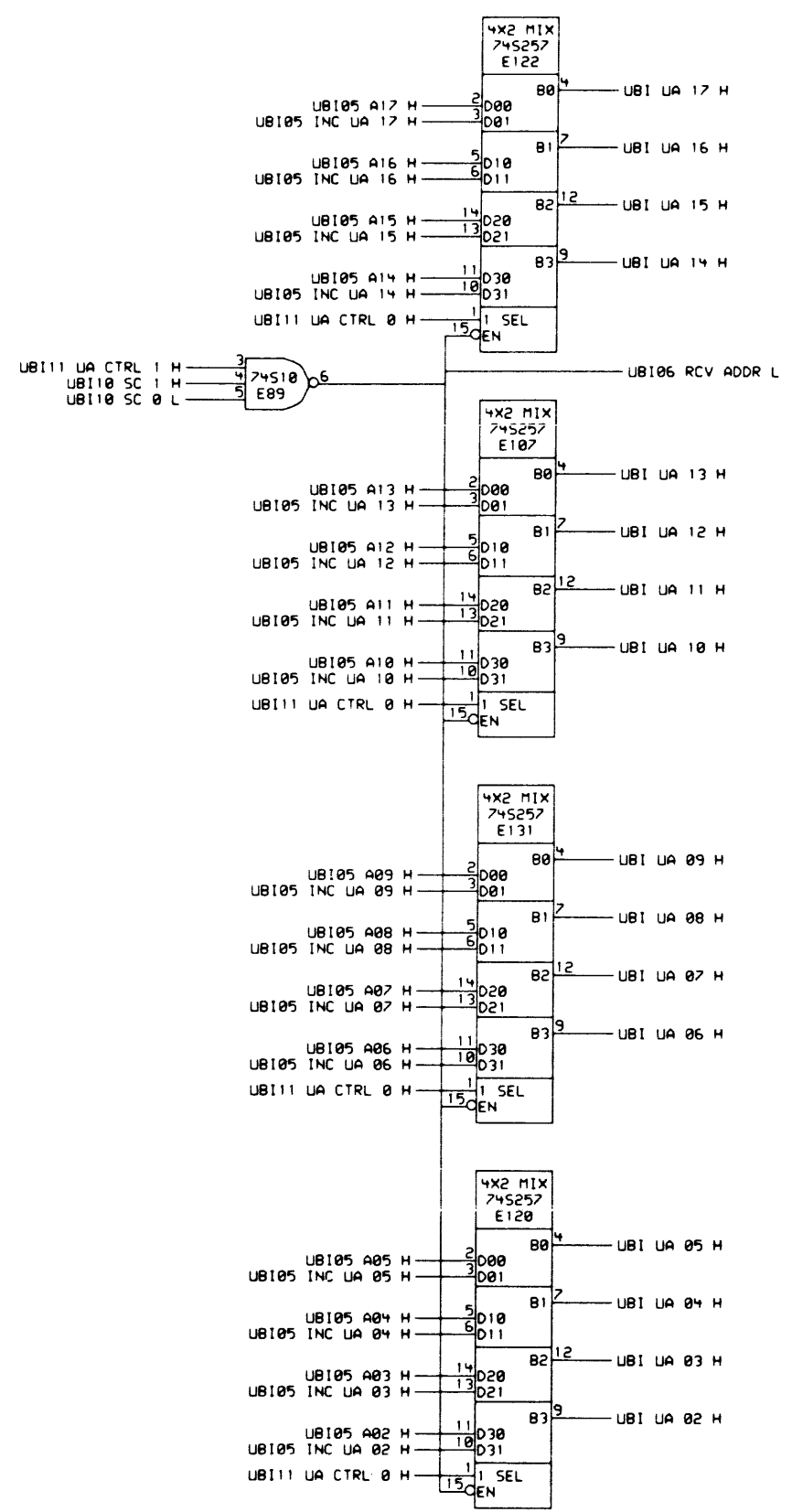
BOARD LOCATION: AC4 SHEET 1 OF 1
 SIZE CODE D CS NUMBER L0004-0-4 REV. C



THIS DRAWING AND SPECIFICATIONS HEREIN ARE THE PROPERTY OF DIGITAL EQUIPMENT CORPORATION AND SHALL NOT BE REPRODUCED OR COPIED OR USED IN WHOLE OR IN PART AS THE BASIS FOR THE MANUFACTURE OR SALE OF ITEMS WITHOUT WRITTEN PERMISSION. COPYRIGHT © 1988. DIGITAL EQUIPMENT CORPORATION.

| REVISIONS | | |
|-----------|------------|-----|
| CHK | CHANGE NO. | REV |
| | | |

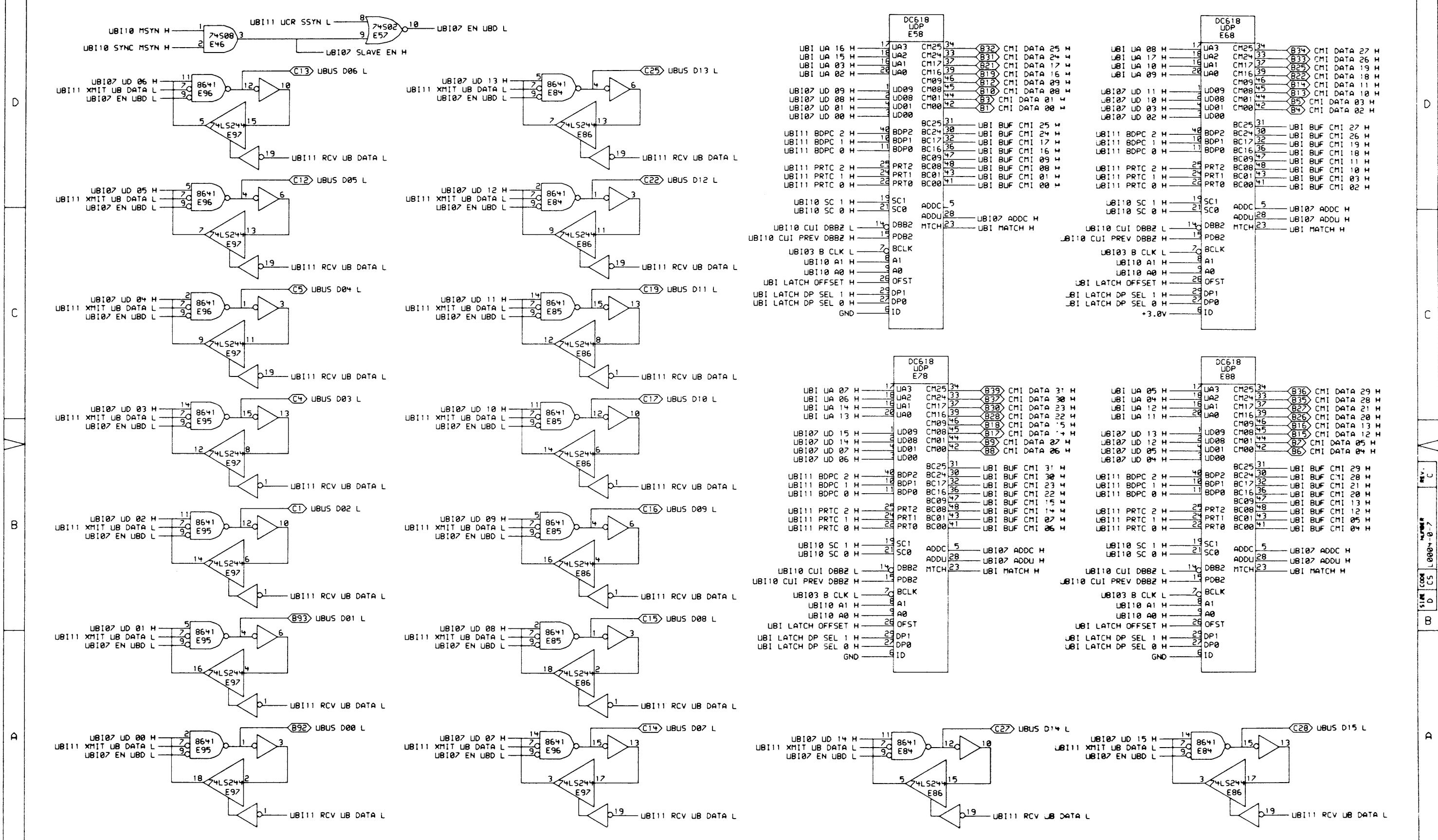
| | | | | | |
|------------------------------------|---------------|------|-----------------------|--------------|-------------------------|
| | DRN. R.C.F.C. | DATE | ENG. | DATE | TITLE: CUI UBUS ADDRESS |
| | CHK'D. | DATE | BOARD LOCATION: AC4 | SHEET 1 OF 1 | SHT. 1 OF 2 |
| [160,127]UB105.DRW 17-FEB-88 16:25 | | | NEXT HIGHER ASSEMBLY: | | SIZE CODE |
| FIRST USED ON OPTION/MODEL: 11/750 | | | B-DD-L0004-0-0 | | NUMBER |
| | | | | D | REV. C |



THIS DRAWING AND SPECIFICATIONS HEREIN ARE THE PROPERTY OF DIGITAL EQUIPMENT CORPORATION AND SHALL NOT BE REPRODUCED OR COPIED OR USED IN WHOLE OR IN PART AS THE BASIS FOR THE MANUFACTURE OR SALE OF ITEMS WITHOUT WRITTEN PERMISSION. COPYRIGHT © 1980, DIGITAL EQUIPMENT CORPORATION.

| REVISIONS | | |
|-----------|------------|-----|
| CHK | CHANGE NO. | REV |
| | | |

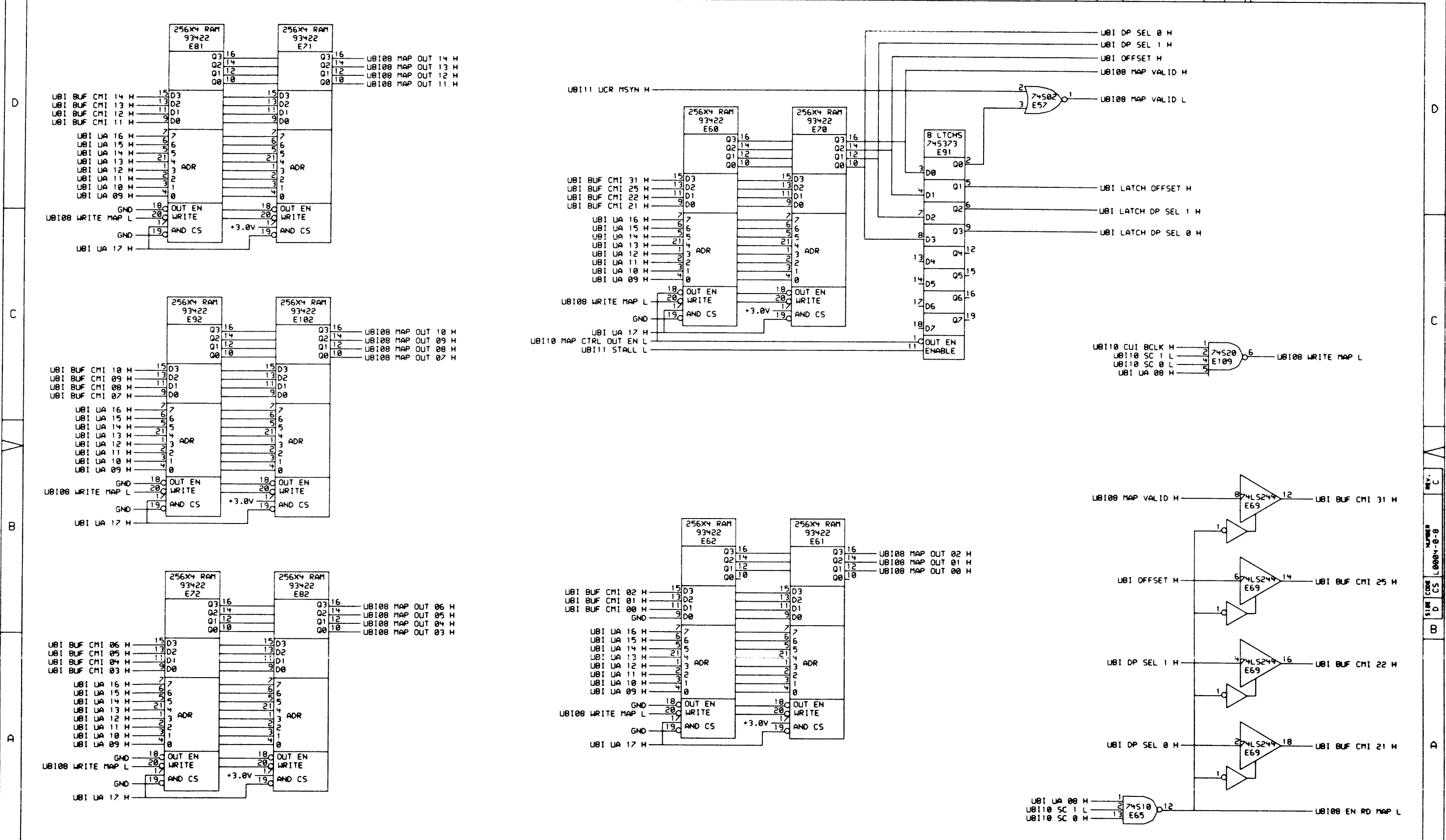
| | | | | | |
|------------------------------------|---------------|------|---------------------|--------------|-------------------------|
| digital | DRN. R.C.F.C. | DATE | ENG. | DATE | TITLE: CUI UBUS ADDRESS |
| | CHK'D. | DATE | BOARD LOCATION: AC4 | SHEET 1 OF 1 | SHT. 2 OF 2 |
| FIRST USED ON OPTION/MODEL: 11/750 | | | | | |
| | | | | | |



THIS DRAWING AND SPECIFICATIONS ARE THE PROPERTY OF DIGITAL EQUIPMENT CORPORATION AND SHALL NOT BE REPRODUCED OR COPIED OR USED IN WHOLE OR IN PART AS THE BASIS FOR THE MANUFACTURE OR SALE OF ITEMS WITHOUT WRITTEN PERMISSION. COPYRIGHT © 1988. DIGITAL EQUIPMENT CORPORATION

| REVISIONS | | |
|-----------|------------|-----|
| CHK | CHANGE NO. | REV |
| | | |

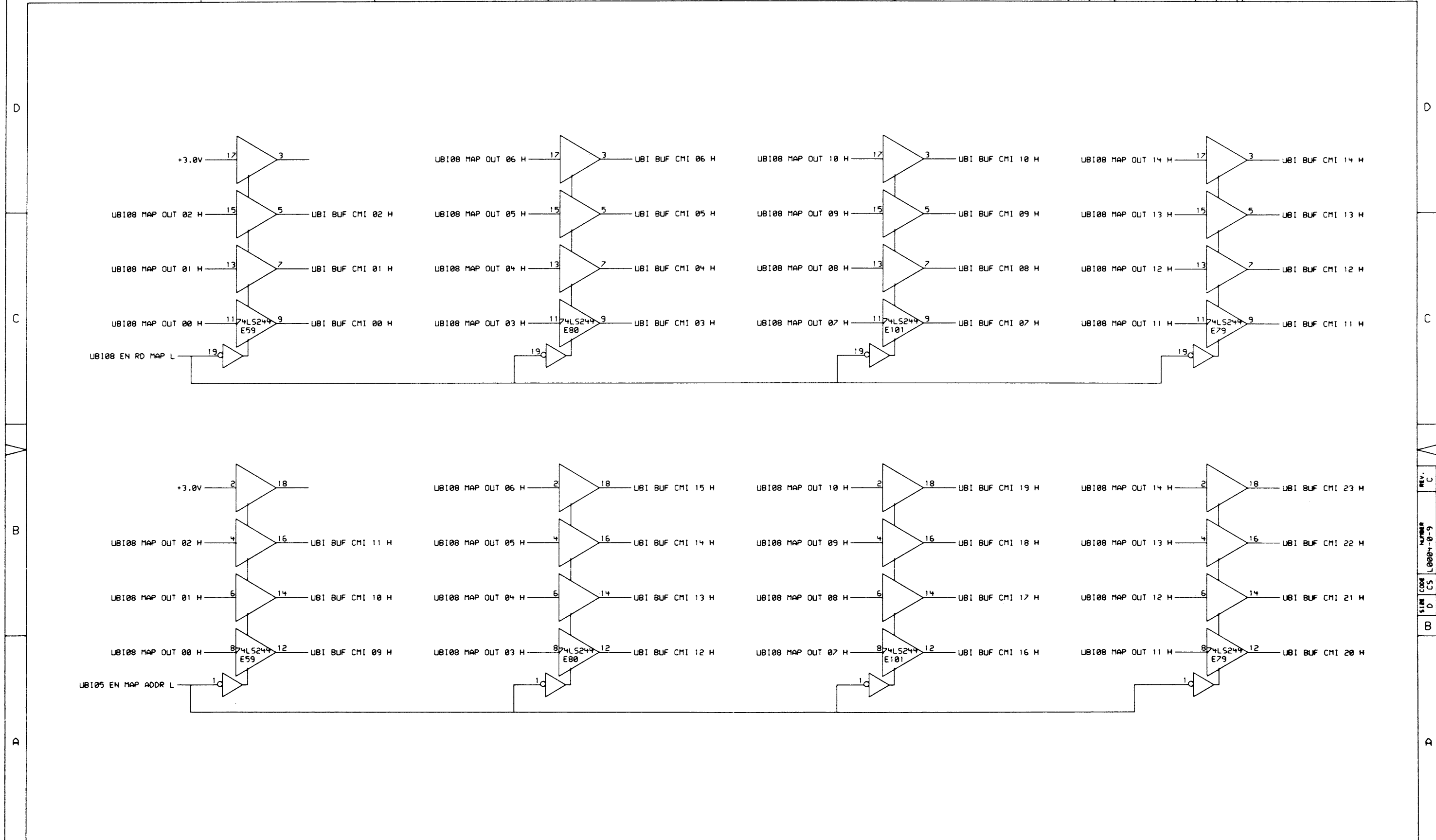
| | | | | | |
|---|------------|------|---------------------|--------------|--|
| | DRN. RC/FL | DATE | ENG. | DATE | TITLE: DATA PATH |
| | CHK'D. | DATE | BOARD LOCATION: AC4 | SHEET 1 OF 1 | SIZE CODE NUMBER REV. D CS L0004-0-7 C |
| (160,127)UBI07.DRW 04-APR-80 11:33 NEXT HIGHER ASSEMBLY: B-0D-L0003-0-0 FIRST USED ON OPTION/MODEL: 11/750 | | | | | |



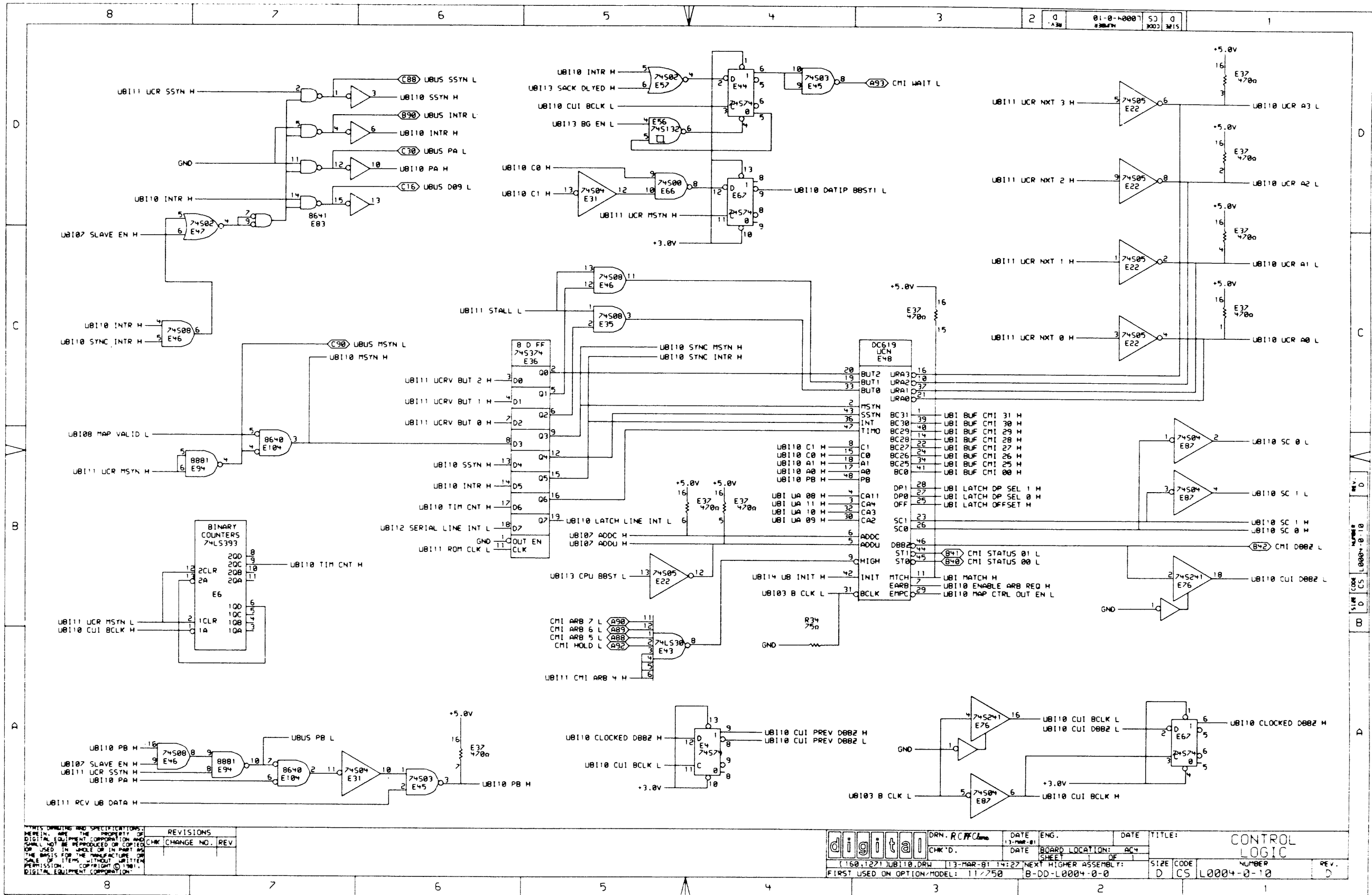
THIS DRAWING AND SPECIFICATIONS HEREIN ARE THE PROPERTY OF DIGITAL EQUIPMENT CORPORATION AND SHALL NOT BE REPRODUCED OR COPIED OR USED IN WHOLE OR IN PART AS THE BASIS FOR THE MANUFACTURE OR SALE OF ITEMS WITHOUT WRITTEN PERMISSION. COPYRIGHT © 1980. DIGITAL EQUIPMENT CORPORATION.

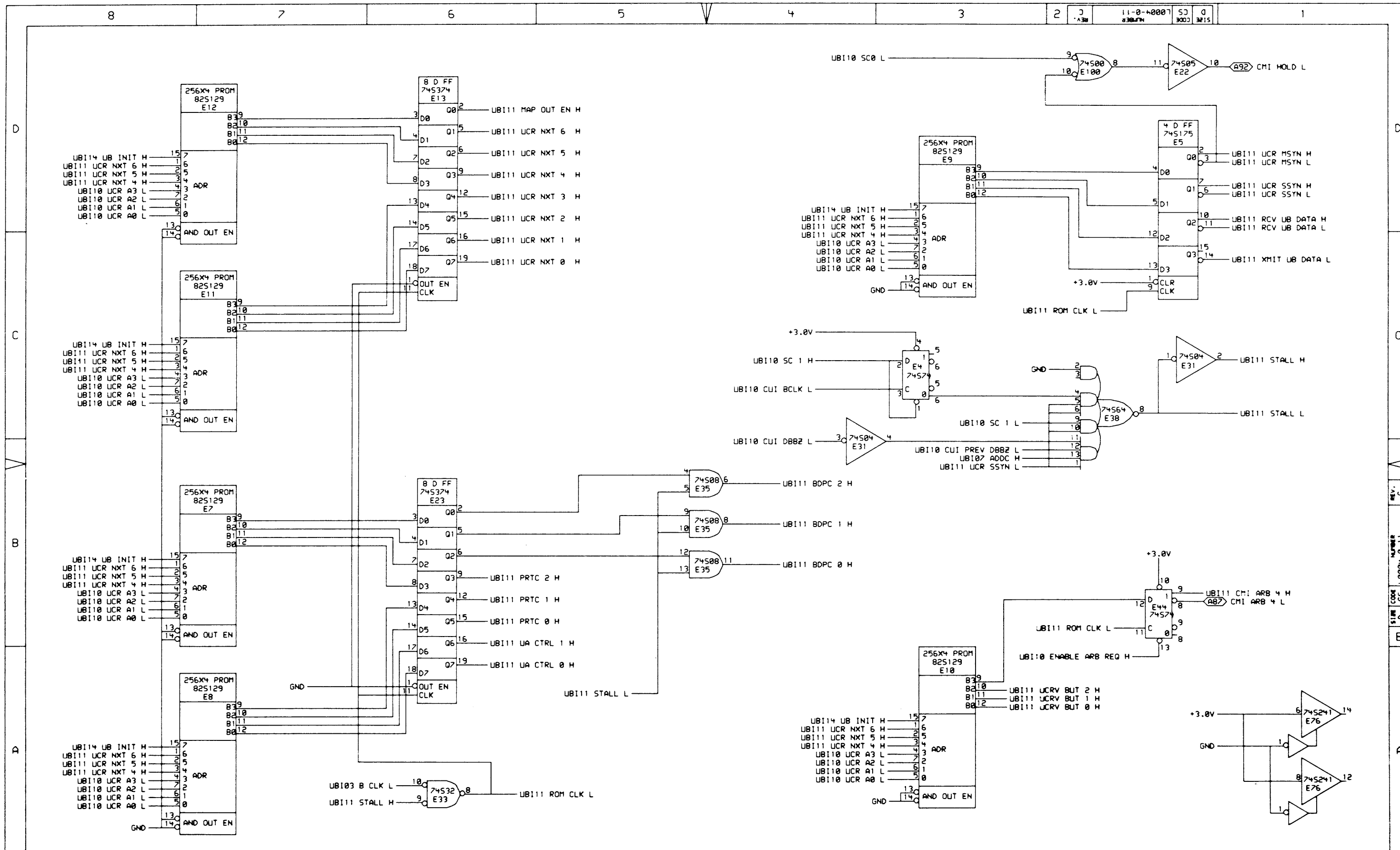
| REVISIONS | | |
|-----------|------------|-----|
| CHK | CHANGE NO. | REV |
| | | |

| | | | | | |
|--------------------------------------|---------------|----------------|--------------------------------------|-------|----------------|
| digital | DRN. R.C.M.C. | DATE 23-MAR-80 | ENG. | DATE | TITLE: CUI MAP |
| | CHK'D. | DATE | BOARD LOCATION: AC4 | SHEET | OF |
| FIRST USED ON OPTION/MODEL: 11/250 | | | NEXT HIGHER ASSEMBLY: B-DD-L0004-0-0 | | SIZE CODE D CS |
| L160.1271 JUB108.DRW 17-FEB-80 16:31 | | | L0004-0-8 | | NUMBER |
| | | | | | REV. C |



| <p>THIS DRAWING AND SPECIFICATIONS ARE THE PROPERTY OF DIGITAL EQUIPMENT CORPORATION AND SHALL NOT BE REPRODUCED OR COPIED IN WHOLE OR IN PART AS THE BASIS FOR THE MANUFACTURE OR SALE OF ITEMS WITHOUT WRITTEN PERMISSION. COPYRIGHT © 1980, DIGITAL EQUIPMENT CORPORATION.</p> | | <p>REVISIONS</p> <table border="1"> <tr> <th>CHK</th> <th>CHANGE NO.</th> <th>REV</th> </tr> <tr> <td> </td> <td> </td> <td> </td> </tr> </table> | | CHK | CHANGE NO. | REV | | | | <p>digital DRN. RCF/Clm</p> | | <p>DATE 25-MAR-80 ENG. DATE</p> | | <p>BOARD LOCATION: AC4</p> | | <p>TITLE: CUI MAP DECODE</p> | |
|---|------------|---|--|---|------------|----------|--|-----------------------|--|-----------------------------|--|---------------------------------|--|----------------------------|--|------------------------------|--|
| CHK | CHANGE NO. | REV | | | | | | | | | | | | | | | |
| | | | | | | | | | | | | | | | | | |
| <p>160,1271 JUBI09.DRW 17-FEB-80 16:32</p> | | | | <p>NEXT HIGHER ASSEMBLY: B-DD-L0004-0-0</p> | | | | <p>SIZE CODE D CS</p> | | <p>NUMBER L0004-0-9</p> | | | | | | | |
| <p>FIRST USED ON OPTION/MODEL: 11/750</p> | | | | <p>REV. C</p> | | <p> </p> | | <p> </p> | | <p> </p> | | | | | | | |

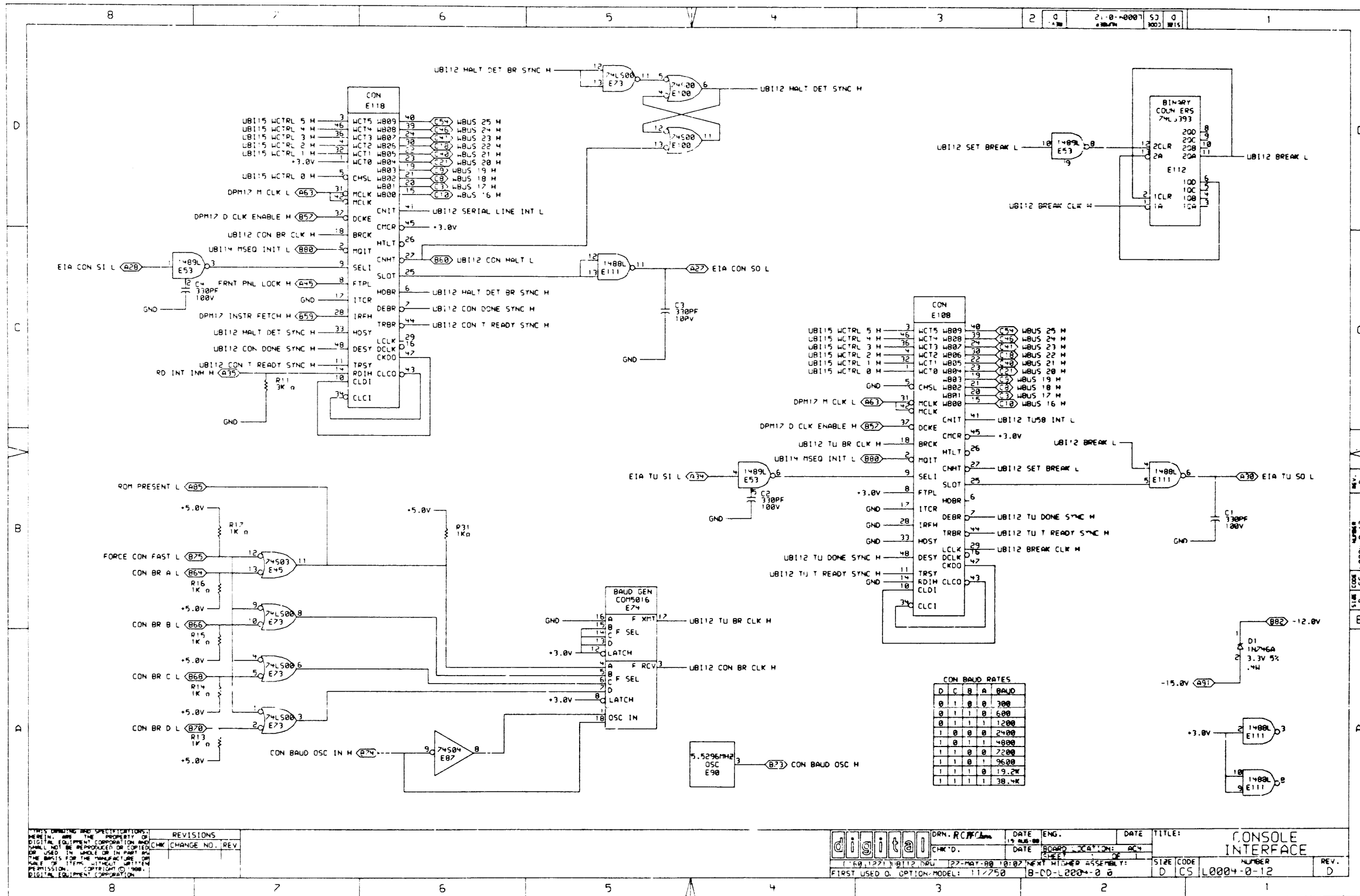




THIS DRAWING AND SPECIFICATIONS ARE THE PROPERTY OF DIGITAL EQUIPMENT CORPORATION AND SHALL NOT BE REPRODUCED OR COPIED IN WHOLE OR IN PART AS THE BASIS FOR THE MANUFACTURE OR SALE OF ITEMS WITHOUT WRITTEN PERMISSION. COPYRIGHT © 1988, DIGITAL EQUIPMENT CORPORATION.

| REVISIONS | | |
|-----------|------------|-----|
| CHK | CHANGE NO. | REV |
| | | |

| | | | | | | |
|--|-------------|------|--------------------|-------|------------------------|------|
| | DRN. RC/FCL | DATE | ENG. | DATE | TITLE: CUI CONTROL ROM | |
| | CHK'D. | DATE | BOARD LOCATION: A4 | SHEET | OF | |
| (160,127)UB111.DRW 12-FEB-88 16:39 NEXT HIGHER ASSEMBLY: | | | SIZE | CODE | NUMBER | REV. |
| FIRST USED ON OPTION/MODEL: 11/750 | | | D | CS | L0004-0-11 | C |



THIS DRAWING AND SPECIFICATIONS ARE THE PROPERTY OF DIGITAL EQUIPMENT CORPORATION AND SHALL NOT BE REPRODUCED OR COPIED FOR USE IN WHOLE OR IN PART AS THE BASIS FOR THE MANUFACTURE OF ANY PRODUCT WITHOUT WRITTEN PERMISSION. COPYRIGHT © 1980, DIGITAL EQUIPMENT CORPORATION.

| REVISIONS | |
|-----------|----------------|
| CHK | CHANGE NO. REV |
| | |
| | |

| | | | | | |
|------------------------------------|-----------------|------|-------|----------|-----------|
| digital | DRN. R.C.F./Jmm | DATE | ENG. | DATE | TITLE |
| | CHK'D. | DATE | BOARD | LOCATION | REV. |
| FIRST USED G. OPTION MODEL: 117750 | | | | | SIZE CODE |
| B-CD-L0004-0 0 | | | | | NUMBER |
| | | | | | REV. D |

| D | C | B | A | BAUD |
|---|---|---|---|-------|
| 0 | 1 | 0 | 0 | 300 |
| 0 | 1 | 1 | 0 | 600 |
| 0 | 1 | 1 | 1 | 1200 |
| 1 | 0 | 0 | 0 | 2400 |
| 1 | 0 | 0 | 1 | 4800 |
| 1 | 1 | 0 | 0 | 2200 |
| 1 | 1 | 0 | 1 | 9600 |
| 1 | 1 | 1 | 0 | 19.2K |
| 1 | 1 | 1 | 1 | 38.4K |

| SIGNAL NAME | PAGE NUMBER(S) | SIGNAL NAME | PAGE NUMBER(S) | SIGNAL NAME | PAGE NUMBER(S) |
|-------------------|----------------|-----------------------|----------------|--------------------------|----------------|
| BUS 2 AV GRANT H | 13 | CS ADDR 12 H | 3 | MIC07 PTE CHK OR PROBE H | 15 |
| BUS 2 AVAILABLE H | 13 | CS BUS 0 H | 03,14 | MIC07 UTRAP L | 03,15 |
| CMI ARB 4 L | 11 | CS BUS 1 H | 14,03 | MIC07 WR BUS ERR INT L | 15 |
| CMI ARB 5 L | 10 | CS BUS 2 H | 14,03 | MIC18 INTERRUPT INH H | 03 |
| CMI ARB 6 L | 10 | CS BUS 3 H | 14,03 | MICRO VECTOR 0 H | 15 |
| CMI ARB 7 L | 10 | CS BUS 4 H | 14,03 | MICRO VECTOR 1 H | 15 |
| CMI DATA 00 H | 07 | CS BUT 0 H | 03 | MICRO VECTOR 2 H | 15 |
| CMI DATA 01 H | 07 | CS BUT 1 H | 03 | PB INIT L | 15 |
| CMI DATA 02 H | 07 | CS BUT 2 H | 03 | RD INT INH H | 12 |
| CMI DATA 03 H | 07 | CS BUT 3 H | 03 | RD V CLOCK H | 15 |
| CMI DATA 04 H | 07 | CS BUT 4 H | 03 | RD V LOAD H | 15 |
| CMI DATA 05 H | 07 | CS BUT 5 H | 03 | ROM PRESENT L | 12 |
| CMI DATA 06 H | 07 | CS FPA 0 H | 03 | ST ID 0 H | 15 |
| CMI DATA 07 H | 07 | CS FPA 1 H | 03 | SYS ID 1 H | 15 |
| CMI DATA 08 H | 07 | CS FPA 2 H | 03 | SYS ID 2 H | 15 |
| CMI DATA 09 H | 07 | CS FPA 3 H | 03 | SYS ID 3 H | 15 |
| CMI DATA 10 H | 07 | CS HNEXT PAR H | 15 | SYS ID 4 H | 15 |
| CMI DATA 11 H | 07 | CS LIT 0 H | 03 | SYS ID 5 H | 15 |
| CMI DATA 12 H | 07 | CS LIT 1 H | 03 | SYS ID 6 H | 15 |
| CMI DATA 13 H | 07 | CS MISC CTL 0 H | 03 | SYS ID 7 H | 15 |
| CMI DATA 14 H | 07 | CS MISC CTL 1 H | 03 | TOT BATTERY | 01 |
| CMI DATA 15 H | 07 | CS MISC CTL 2 H | 03 | UBI BUF CMI 00 H | 10,07,09,08 |
| CMI DATA 16 H | 07 | CS MISC CTL 3 H | 03 | UBI BUF CMI 01 H | 07,09,08 |
| CMI DATA 17 H | 07 | CS MISC CTL 4 H | 03 | UBI BUF CMI 02 H | 09,08,07,06,05 |
| CMI DATA 18 H | 07 | CS PAR 1 H | 3 | UBI BUF CMI 03 H | 07,08,09,06,05 |
| CMI DATA 19 H | 07 | CS WCTRL 0 H | 15 | UBI BUF CMI 04 H | 08,09,07,06,05 |
| CMI DATA 20 H | 07 | CS WCTRL 1 H | 15 | UBI BUF CMI 05 H | 08,09,07,06,05 |
| CMI DATA 21 H | 07 | CS WCTRL 2 H | 15 | UBI BUF CMI 06 H | 08,07,09,06,05 |
| CMI DATA 22 H | 07 | CS WCTRL 3 H | 15 | UBI BUF CMI 07 H | 07,08,09,06,05 |
| CMI DATA 23 H | 07 | CS WCTRL 4 H | 15 | UBI BUF CMI 08 H | 07,08,09,06,05 |
| CMI DATA 24 H | 07 | CS WCTRL 5 H | 15 | UBI BUF CMI 09 H | 07,09,08,05 |
| CMI DATA 25 H | 07 | DPM13 TIMER INT L | 15 | UBI BUF CMI 10 H | 09,07,08,05 |
| CMI DATA 26 H | 07 | DPM14 UVCTR BRANCH H | 15 | UBI BUF CMI 11 H | 09,07,08,05 |
| CMI DATA 27 H | 07 | DPM17 BCLK L | 03 | UBI BUF CMI 12 H | 08,09,07,05 |
| CMI DATA 28 H | 07 | DPM17 D CLK ENABLE H | 15,12 | UBI BUF CMI 13 H | 08,09,07,05 |
| CMI DATA 29 H | 07 | DPM17 DO SRVC L | 15 | UBI BUF CMI 14 H | 08,07,09,05 |
| CMI DATA 30 H | 07 | DPM17 INSTR FETCH H | 12,13 | UBI BUF CMI 15 H | 07,09,05 |
| CMI DATA 31 H | 07 | DPM17 M CLK ENABLE H | 15 | UBI BUF CMI 16 H | 07,09,05 |
| CMI DBBZ L | 10 | DPM17 M CLK L | 03,01,12 | UBI BUF CMI 17 H | 07,09,05 |
| CMI HOLD L | 11,10 | DPM17 PHASE 1 H | 15 | UBI BUF CMI 18 H | 07,09 |
| CMI STATUS 00 L | 10 | EIA CON SI L | 12 | UBI BUF CMI 19 H | 07,09 |
| CMI STATUS 01 L | 10 | EIA CON SO L | 12 | UBI BUF CMI 20 H | 09,07 |
| CMI WAIT L | 10,13 | EIA TU SI L | 12 | UBI BUF CMI 21 H | 08,09,07 |
| CON BAUD OSC H | 12 | EIA TU SO L | 12 | UBI BUF CMI 22 H | 08,07,09 |
| CON BAUD OSC IN H | 12 | FORCE CON FAST L | 12 | UBI BUF CMI 23 H | 07,09 |
| CON BR A L | 12 | FRNT PNL LOCK H | 12 | UBI BUF CMI 24 H | 1 |
| CON BR B L | 12 | MIC04 STATUS VALID H | 13 | UBI BUF CMI 25 H | 10,07,08 |
| CON BR C L | 12 | MIC04 V OUT H | 15 | UBI BUF CMI 26 H | 10,07 |
| CON BR D L | 12 | MIC05 UB REQ H | 13 | UBI BUF CMI 27 H | 10,07 |
| CS ADDR 02 H | 3 | MIC07 CORR DATA INT L | 15 | UBI BUF CMI 28 H | 10,07 |
| | | | | UBI BUF CMI 29 H | 10,07 |

NOTES:
1. THIS PAGE LISTS THE SCHEMATIC PAGE NUMBER(S) WHERE A SIGNAL NAME IS REFERENCED.

REVISIONS
CHK CHANGE NO. REV

| | | | | | |
|-----------------------------|-----------|------|-----------------------|----------------|-----------------------|
| digital | DRN. BY | DATE | ENG. | DATE | TITLE: |
| | CHK'D. | DATE | BOARD LOCATION: | AC4 | FORWARD REFERENCE |
| (160,1271)UB116.DRW | 06-NOV-88 | 9:31 | NEXT HIGHER ASSEMBLY: | B-DD-L0004-0-0 | SIZE CODE NUMBER REV. |
| FIRST USED ON OPTION/MODEL: | 117750 | | | | D CS L0004-0-16 D |

SIGNAL NAME PAGE NUMBER(S)

UB1 BUF CHI 30 H 10.07
 UB1 BUF CHI 31 H 10.08,07
 UB1 DP SEL 0 H 08
 UB1 DP SEL 1 H 08
 UB1 LATCH DP SEL 0 H 10.07,08
 UB1 LATCH DP SEL 1 H 10.07,08
 UB1 LATCH OFFSET H 10.07,08
 UB1 MATCH H 10.07
 UB1 OFFSET H 08
 UB1 UA 02 H 07.06

UB1 UA 03 H 07.06
 UB1 UA 04 H 07.06
 UB1 UA 05 H 07.06
 UB1 UA 06 H 07.06
 UB1 UA 07 H 07.06
 UB1 UA 08 H 10.08,07.06
 UB1 UA 09 H 10.08,07.06
 UB1 UA 10 H 10.08,07.06
 UB1 UA 11 H 10.08,07.06
 UB1 UA 12 H 08,07.06

UB1 UA 13 H 08,07.06
 UB1 UA 14 H 08,07.06
 UB1 UA 15 H 07.08,06
 UB1 UA 16 H 07.08,06
 UB1 UA 17 H 08,07.06
 UB101 BATT DC LO L 01
 UB101 COUNTER SEL 0 H 02,01
 UB101 COUNTER SEL 1 H 02,01
 UB101 CPU DC LO H 01
 UB101 RESET TOY COUNTER H 02,01

UB101 HBUS GET TOY L 02,01
 UB101 WCTRL 0XXXXX L 01,15
 UB102 TOY COUNTER 00 H 02
 UB102 TOY COUNTER 01 H 02
 UB102 TOY COUNTER 02 H 02
 UB102 TOY COUNTER 03 H 02
 UB102 TOY COUNTER 04 H 02
 UB102 TOY COUNTER 05 H 02
 UB102 TOY COUNTER 06 H 02
 UB102 TOY COUNTER 07 H 02

UB102 TOY COUNTER 08 H 02
 UB102 TOY COUNTER 09 H 02
 UB102 TOY COUNTER 10 H 02
 UB102 TOY COUNTER 11 H 02
 UB102 TOY COUNTER 12 H 02
 UB102 TOY COUNTER 13 H 02
 UB102 TOY COUNTER 14 H 02
 UB102 TOY COUNTER 15 H 02
 UB102 TOY COUNTER 16 H 02
 UB102 TOY COUNTER 17 H 02

SIGNAL NAME PAGE NUMBER(S)

UB102 TOY COUNTER 18 H 02
 UB102 TOY COUNTER 19 H 02
 UB102 TOY COUNTER 20 H 02
 UB102 TOY COUNTER 21 H 02
 UB102 TOY COUNTER 22 H 02
 UB102 TOY COUNTER 23 H 02
 UB102 TOY COUNTER 24 H 02
 UB102 TOY COUNTER 25 H 02
 UB102 TOY COUNTER 26 H 02
 UB102 TOY COUNTER 27 H 02

UB102 TOY COUNTER 28 H 02
 UB102 TOY COUNTER 29 H 02
 UB102 TOY COUNTER 30 H 02
 UB102 TOY COUNTER 31 H 02
 UB103 B CLK L 11,10,13,07,15,03
 UB103 BUS 0 H 03
 UB103 BUS 1 H 03
 UB103 BUS 2 H 03
 UB103 BUS 3 H 03
 UB103 BUS 4 H 03

UB103 BUSF PAR H 03,15
 UB103 CS BUT 0 H 03
 UB103 CS BUT 1 H 03
 UB103 CS BUT 2 H 03
 UB103 CS BUT 3 H 03
 UB103 CS BUT 4 H 03
 UB103 CS BUT 5 H 03
 UB103 CS LIT 0 H 03
 UB103 CS LIT 1 H 03

UB103 FORCE CACHE PE L 15,03
 UB103 FORCE TB PE L 15,03
 UB103 INTERRUPT INH H 03,15
 UB103 MISC 0 H 03
 UB103 MISC 1 H 03
 UB103 MISC 2 H 03
 UB103 MISC 3 H 03
 UB103 MISC 4 H 03
 UB103 RSBC L 03
 UB103 RTUT DINH L 15,03,14
 UB103 RTUT L 03
 UB105 A02 H 05,06

UB105 A03 H 05,06
 UB105 A04 H 05,06
 UB105 A05 H 05,06
 UB105 A06 H 05,06
 UB105 A07 H 05,06
 UB105 A08 H 05,06
 UB105 A09 H 05,06
 UB105 A10 H 06,05
 UB105 A11 H 06,05
 UB105 A12 H 06,05

SIGNAL NAME PAGE NUMBER(S)

UB105 A13 H 06,05
 UB105 A14 H 06,05
 UB105 A15 H 06,05
 UB105 A16 H 06,05
 UB105 A17 H 06,05
 UB105 EN MAP ADDR L 09,06
 UB105 INC JA 02 H 06,05
 UB105 INC JA 03 H 06,05
 UB105 INC JA 04 H 06,05
 UB105 INC JA 05 H 06,05

UB105 INC JA 06 H 05,06
 UB105 INC JA 07 H 05,06
 UB105 INC JA 08 H 05,06
 UB105 INC JA 09 H 05,06
 UB105 INC JA 10 H 06,05
 UB105 INC JA 11 H 06,05
 UB105 INC JA 12 H 06,05
 UB105 INC JA 13 H 06,05
 UB105 INC JA 14 H 06,05
 UB105 INC JA 15 H 06,05

UB105 INC JA 16 H 06,05
 UB105 INC JA 17 H 06,05
 UB106 RCV ADDR L 06
 UB107 ADDC H 10,11,07
 UB107 ADDU H 10,07
 UB107 EN LBO L 07
 UB107 SLAVE EN H 07,10
 UB107 UD 00 H 07
 UB107 UD 01 H 07
 UB107 UD 02 H 07

UB107 UD 03 H 07
 UB107 UD 04 H 07
 UB107 UD 05 H 07
 UB107 UD 06 H 07
 UB107 UD 07 H 07
 UB107 UD 08 H 07
 UB107 UD 09 H 07
 UB107 UD 10 H 07
 UB107 UD 11 H 07
 UB107 UD 12 H 07

UB107 UD 13 H 07
 UB107 UD 14 H 07
 UB107 UD 15 H 07
 UB108 EN RD 700 L 09,08
 UB108 MAP OUT 00 H 09,08
 UB108 MAP OUT 01 H 09,08
 UB108 MAP OUT 02 H 09,08
 UB108 MAP OUT 03 H 08,09
 UB108 MAP OUT 04 H 08,09
 UB108 MAP OUT 05 H 08,09

NOTES:
 1. THIS PAGE LISTS THE SCHEMATIC PAGE NUMBER(S) WHERE A SIGNAL NAME IS REFERENCED.

NOTES AND SPECIFICATIONS
 HEREIN ARE THE PROPERTY OF
 DIGITAL EQUIPMENT CORPORATION AND
 SHALL NOT BE REPRODUCED OR COPIED
 FOR USE IN WHOLE OR IN PART AS
 THE BASIS FOR THE MANUFACTURE
 OR SALE OF ITEMS WITHOUT WRITTEN
 PERMISSION. COPYRIGHT © 1981
 DIGITAL EQUIPMENT CORPORATION.

REVISIONS
 CHG. CHANGE NO. REV.

| | | | | | |
|-----------------------------------|----------------|----------------|---------------------|-----------------------|----------------------|
| digital | DRN. <i>DE</i> | DATE | ENG. | DATE | TITLE: UBI |
| | CHK'D. | DATE | BOARD LOCATION: AC4 | OF 1 | - FORWARD REFERENCE |
| E160,1271 UBI17.DRW | | 06-NOV-80 | 9:42 | NEXT HIGHER ASSEMBLY: | SIZE JOE NUMBER REV. |
| FIRST USED ON OPTION/MODEL: 11720 | | B-DD-L0004-0-0 | | D CS | 0004-0-17 D |

| SIGNAL NAME | PAGE NUMBER(S) |
|-------------------------|----------------|
| UB100 MAP OUT 06 H | 08,09 |
| UB100 MAP OUT 07 H | 08,09 |
| UB100 MAP OUT 08 H | 08,09 |
| UB100 MAP OUT 09 H | 08,09 |
| UB100 MAP OUT 10 H | 08,09 |
| UB100 MAP OUT 11 H | 08,09 |
| UB100 MAP OUT 12 H | 08,09 |
| UB100 MAP OUT 13 H | 08,09 |
| UB100 MAP OUT 14 H | 08,09 |
| UB100 MAP VALID H | 08 |
| UB100 MAP VALID L | 08,10 |
| UB100 WRITE MAP L | 08 |
| UB110 A0 H | 10,07,06 |
| UB110 A1 H | 10,07,06 |
| UB110 C0 H | 10,06 |
| UB110 C1 H | 10,06 |
| UB110 CLOCKED DBBZ H | 10 |
| UB110 CUI BCLK H | 10,15,13,08 |
| UB110 CUI BCLK L | 11,10,13 |
| UB110 CUI DBBZ L | 11,07,10 |
| UB110 CUI PREV DBBZ H | 10,07 |
| UB110 CUI PREV DBBZ L | 10,11 |
| UB110 DATIP BBSY1 L | 13,10 |
| UB110 ENABLE ARB REQ H | 11,10 |
| UB110 INTR H | 10 |
| UB110 LATCH LINE INT L | 10,15 |
| UB110 MAP CTRL OUT EN L | 10,08 |
| UB110 MSYN H | 10,07 |
| UB110 PA H | 10 |
| UB110 PB H | 10 |
| UB110 SC 0 H | 10,07,08 |
| UB110 SC 0 L | 10,06,08 |
| UB110 SC 1 H | 11,10,07,06 |
| UB110 SC 1 L | 11,08,10 |
| UB110 SC 0 L | 1 |
| UB110 SSYN H | 10,13 |
| UB110 SYNC INTR H | 10 |
| UB110 SYNC MSYN H | 10,07 |
| UB110 TIM CNT H | 10 |
| UB110 UCR A0 L | 11,10 |
| UB110 UCR A1 L | 11,10 |
| UB110 UCR A2 L | 11,10 |
| UB110 UCR A3 L | 11,10 |
| UB111 BDPC 0 H | 11,07 |
| UB111 BDPC 1 H | 11,07 |
| UB111 BDPC 2 H | 11,07 |
| UB111 CMI ARB 4 H | 10,11 |
| UB111 MAP OUT EN H | 11,06 |
| UB111 PRTC 0 H | 11,07 |
| UB111 PRTC 1 H | 11,07 |
| UB111 PRTC 2 H | 11,07 |

| SIGNAL NAME | PAGE NUMBER(S) |
|--------------------------|----------------|
| UB111 RCV UB DATA H | 11,10 |
| UB111 RCV UB DATA L | 11,07 |
| UB111 ROM CLK L | 11,10 |
| UB111 STALL H | 11 |
| UB111 STALL L | 11,10,08 |
| UB111 UA CTRL 0 H | 11,06,05 |
| UB111 UA CTRL 1 H | 11,06,05 |
| UB111 UCR MSYN H | 11,08,10 |
| UB111 UCR MSYN L | 11,10 |
| UB111 UCR NXT 0 H | 11,10 |
| UB111 UCR NXT 1 H | 11,10 |
| UB111 UCR NXT 2 H | 11,10 |
| UB111 UCR NXT 3 H | 11,10 |
| UB111 UCR NXT 4 H | 11 |
| UB111 UCR NXT 5 H | 11 |
| UB111 UCR NXT 6 H | 11 |
| UB111 UCR SSYN H | 11,10 |
| UB111 UCR SSYN L | 11,07 |
| UB111 UCRV BUT 0 H | 11,10 |
| UB111 UCRV BUT 1 H | 11,10 |
| UB111 UCRV BUT 2 H | 11,10 |
| UB111 XMIT UB DATA L | 11,07 |
| UB112 BREAK CLK H | 12 |
| UB112 BREAK L | 12 |
| UB112 CON BR CLK H | 12 |
| UB112 CON DONE SYNC H | 12 |
| UB112 CON HALT L | 15,12 |
| UB112 CON T READY SYNC H | 12 |
| UB112 HALT DET BR SYNC H | 12 |
| UB112 HALT DET SYNC H | 12 |
| UB112 SERIAL LINE INT L | 10,12 |
| UB112 SET BREAK L | 12 |
| UB112 TU BR CLK H | 12 |
| UB112 TU DONE SYNC H | 12 |
| UB112 TU T READY SYNC H | 12 |
| UB112 TUS0 INT L | 15,12 |
| UB113 ASSERT BBSY H | 15,13 |
| UB113 BBSY REQ H | 13 |
| UB113 BG EN H | 13,15 |
| UB113 BG EN L | 13,10 |
| UB113 BUST AVAILABLE H | 13 |
| UB113 CMI UB INH L | 13 |
| UB113 CMI UB REQ H | 13 |
| UB113 CMI UB REQ L | 13 |
| UB113 CPU BBSY L | 10,13 |
| UB113 CPU UB REQ L | 13 |
| UB113 NOSACK TIMEOUT H | 13,15 |
| UB113 NPG DEL H | 13 |
| UB113 NPG DEL L | 13 |
| UB113 NPG ENA H | 13 |
| UB113 NPG INH H | 13 |

| SIGNAL NAME | PAGE NUMBER(S) |
|------------------------|----------------|
| UB113 NPG INH L | 13 |
| UB113 NPG L | 13,15 |
| UB113 SACK DLYED H | 13,10 |
| UB113 SACK DLYED L | 13 |
| UB113 SY CPU BBSY L | 13 |
| UB113 SY NPG H | 13 |
| UB113 SYNCR RESET BG H | 13,15 |
| UB114 ACLO BBSY L | 13,14 |
| UB114 ASSERT DCLD H | 15,14 |
| UB114 DCLD BBSY L | 14,13 |
| UB114 INIT TIME L | 14 |
| UB114 INIT UB REQ H | 14 |
| UB114 INIT UB REQ L | 13,14 |
| UB114 MSEQ INIT L | 14,12 |
| UB114 PR INIT DEC L | 14,15 |
| UB114 SPT L | 14,15 |
| UB114 UB INIT H | 11,10,15,14 |
| UB115 BBSY H | 13,15 |
| UB115 EN REV LEVEL L | 15 |
| UB115 FPG04 H | 15 |
| UB115 FPG05 H | 15 |
| UB115 FPG06 H | 15 |
| UB115 INT INTR L | 15 |
| UB115 INT PEND L | 15 |
| UB115 INT CLK L | 15,14 |
| UB115 NPG H | 13,15 |
| UB115 PG INIT H | 15,14 |
| UB115 PROC INIT L | 15 |
| UB115 PC/D ACLO H | 15 |
| UB115 PC/D DCLD H | 14,15 |
| UB115 SACK H | 13,15 |
| UB115 SB04 H | 15 |
| UB115 SB05 H | 15 |
| UB115 SB06 H | 15 |
| UB115 SB07 H | 15 |
| UB115 SYNCR ACLO H | 14,15 |
| UB115 UB INT GRANT H | 15,13 |
| UB115 V OUT H | 15 |
| UB115 WCTRL 0 H | 15,01,12 |
| UB115 WCTRL 1 H | 15,01,12 |
| UB115 WCTRL 2 H | 15,01,12 |
| UB115 WCTRL 3 H | 15,01,12 |
| UB115 WCTRL 4 H | 15,01,12 |
| UB115 WCTRL 5 H | 15,01,12 |
| UBUS A00 L | 04,06 |
| UBUS A01 L | 04,06 |
| UBUS A02 L | 04,05 |
| UBUS A03 L | 04,05 |
| UBUS A04 L | 04,05 |
| UBUS A05 L | 04,05 |
| UBUS A06 L | 04,05 |

NOTES:
1. THIS PAGE LISTS THE SCHEMATIC PAGE NUMBER(S) WHERE A SIGNAL NAME IS REFERENCED.

THIS DRAWING AND SPECIFICATIONS
HEREIN ARE THE PROPERTY OF
DIGITAL EQUIPMENT CORPORATION AND
SHALL NOT BE REPRODUCED OR COPIED
FOR USE IN WHOLE OR IN PART AS
THE BASIS FOR THE MANUFACTURE OR
SALE OF ITEMS WITHOUT WRITTEN
PERMISSION. COPYRIGHT © 1981
DIGITAL EQUIPMENT CORPORATION.

| REVISIONS | |
|-----------|----------------|
| CHK | CHANGE NO. REV |
| | |

digital

DRN. 15-01-12
CHK'D. 13-MAR-81
DATE 13-MAR-81
BOARD LOCATION: AC4
SHEET 1 OF 1

TITLE: UBI FORWARD REFERENCE

(160,127) UBI10.DRW 13-MAR-81 15:35 NEXT HIGHER ASSEMBLY: B-DD-L0004-0-0
FIRST USED ON OPTION/MODEL: 750

SIZE CODE NUMBER REV.
D CS L0004-0-18 F

| SIGNAL NAME | PAGE NUMBER(S) | SIGNAL NAME | PAGE NUMBER(S) | SIGNAL NAME | PAGE NUMBER(S) |
|--------------|----------------|-------------|----------------|-------------|----------------|
| UBUS A07 L | 04,05 | WBUS 17 H | 02,01,15,12 | | |
| UBUS A08 L | 04,05 | WBUS 18 H | 01,02,15,12 | | |
| UBUS A09 L | 04,05 | WBUS 19 H | 01,02,15,12 | | |
| UBUS A10 L | 04,05 | WBUS 20 H | 01,02,15,12 | | |
| UBUS A11 L | 04,05 | WBUS 21 H | 01,02,15,12 | | |
| UBUS A12 L | 04,05 | WBUS 22 H | 01,02,15,12 | | |
| UBUS A13 L | 04,05 | WBUS 23 H | 02,15,12 | | |
| UBUS A14 L | 04,05 | WBUS 24 H | 01,15,12 | | |
| UBUS A15 L | 04,05 | WBUS 25 H | 01,15,12 | | |
| UBUS A16 L | 04,05 | WBUS 26 H | 01,15 | | |
| UBUS A17 L | 04,05 | WBUS 27 H | 01 | | |
| UBUS ACLO L | 04,15 | | | | |
| UBUS BBSY L | 15,04 | | | | |
| UBUS BG4 0 H | 04,15 | | | | |
| UBUS BG5 0 H | 04,15 | | | | |
| UBUS BG6 0 H | 04,15 | | | | |
| UBUS BG7 0 H | 04,15 | | | | |
| UBUS BR4 L | 04,15 | | | | |
| UBUS BR5 L | 04,15 | | | | |
| UBUS BR6 L | 04,15 | | | | |
| UBUS BR7 L | 04,15 | | | | |
| UBUS C0 L | 04,06 | | | | |
| UBUS C1 L | 04,06 | | | | |
| UBUS D00 L | 04,07 | | | | |
| UBUS D01 L | 04,07 | | | | |
| UBUS D02 L | 04,07 | | | | |
| UBUS D03 L | 04,07 | | | | |
| UBUS D04 L | 04,07 | | | | |
| UBUS D05 L | 04,07 | | | | |
| UBUS D06 L | 04,07 | | | | |
| UBUS D07 L | 04,07 | | | | |
| UBUS D08 L | 07,04 | | | | |
| UBUS D09 L | 10,07,04 | | | | |
| UBUS D10 L | 07,04 | | | | |
| UBUS D11 L | 07,04 | | | | |
| UBUS D12 L | 07,04 | | | | |
| UBUS D13 L | 07,04 | | | | |
| UBUS D14 L | 07,04 | | | | |
| UBUS D15 L | 07,04 | | | | |
| UBUS DCLO L | 04,01,15 | | | | |
| UBUS INIT L | 15,04 | | | | |
| UBUS INTR L | 10,04 | | | | |
| UBUS MSYN L | 10,04 | | | | |
| UBUS NPG H | 15,04 | | | | |
| UBUS NPR L | 15,04 | | | | |
| UBUS PA L | 10,04 | | | | |
| UBUS PB L | 10,04 | | | | |
| UBUS SACK L | 15,04 | | | | |
| UBUS SSYN L | 10,04 | | | | |
| WBUS 16 H | 02,01,15,12 | | | | |

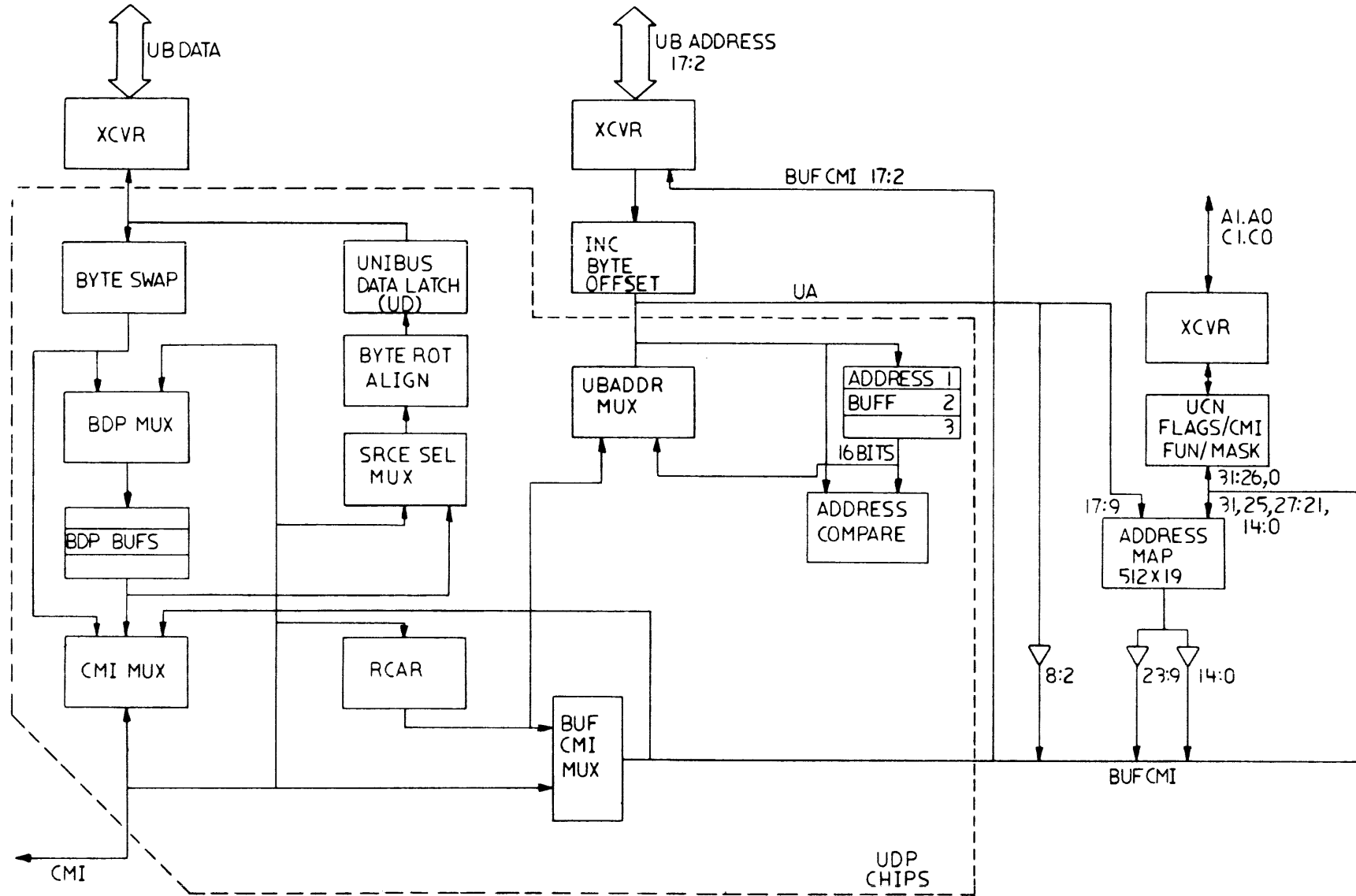
NOTES:
1. THIS PAGE LISTS THE SCHEMATIC PAGE NUMBER(S) WHERE A SIGNAL NAME IS REFERENCED.

THIS DRAWING AND SPECIFICATIONS
HEREIN ARE THE PROPERTY OF
DIGITAL EQUIPMENT CORPORATION AND
SHALL NOT BE REPRODUCED OR COPIED
OR USED IN WHOLE OR IN PART AS
THE BASIS FOR THE MANUFACTURE OR
SALE OF ITEMS WITHOUT WRITTEN
PERMISSION. COPYRIGHT © 1988,
DIGITAL EQUIPMENT CORPORATION

| CHK | CHANGE NO. | REV |
|-----|------------|-----|
| | | |

| | | | | |
|------------------------------------|----------------|--------------------------|--------------------------------------|------------------------------|
| digital | DRN. <i>DE</i> | DATE ENG. 21-MAR-88 | DATE | TITLE: UBI FORWARD REFERENCE |
| | CHK'D. | DATE BOARD LOCATION: AC4 | SHEET 1 OF 1 | |
| [160,1271]UBI19.DRW | | 21-MAR-88 14:31 | NEXT HIGHER ASSEMBLY: B-DD-L0004-0-0 | SIZE CODE D CS |
| FIRST USED ON OPTION/MODEL: 11/750 | | | | NUMBER L0004-0-19 |
| | | | | REV. C |

THIS DRAWING AND SPECIFICATIONS HEREIN ARE THE PROPERTY OF DIGITAL EQUIPMENT CORPORATION AND SHALL NOT BE REPRODUCED OR COPIED OR USED IN WHOLE OR IN PART AS THE BASIS FOR THE MANUFACTURE OR SALE OF ITEMS WITHOUT WRITTEN PERMISSION.
 COPYRIGHT © 1980, DIGITAL EQUIPMENT CORPORATION



| BDPC | |
|------|-----|
| 2 | 1 0 |
| 0 | 0 0 |
| 0 | 0 1 |
| 0 | 1 1 |
| 1 | 0 0 |
| 1 | 0 1 |
| 1 | 1 0 |
| 1 | 1 1 |

| PRTC | |
|------|-----|
| 2 | 1 0 |
| 0 | 0 0 |
| 0 | 0 1 |
| 0 | 1 1 |
| 1 | 0 0 |
| 1 | 0 1 |
| 1 | 1 1 |

| SC | |
|----|-----|
| 1 | 1 0 |
| 0 | 0 0 |
| 0 | 1 0 |
| 1 | 1 0 |

| REV | CHANGE NO. |
|-----|------------|
| | |
| | |

| DESCRIPTION | | DWG./PART NO. | ITEM NO. |
|---|-------------------------------|--------------------------------|------------------|
| UNLESS OTHERWISE SPECIFIED DIMENSIONS ARE IN INCHES | | | |
| ANGLES ±0° 30' | CLASS OF ACCURACY | NOMINAL DIMENSION RANGE INCHES | |
| SURFACE QUALITY IN MICROINCHES | (CHECK ONE) | OVER 0 TO 0.2 | OVER 0.2 TO 1.2 |
| | | OVER 1.2 TO 4.0 | OVER 4.0 TO 12.0 |
| MEDIUM | | ±.004 | ±.008 |
| PREFERRED | | ±.012 | ±.016 |
| MEDIUM | | ±.020 | ±.04 |
| PREFERRED | | ±.030 | ±.1 |
| THIRD ANGLE PROJECTION | DRN. I. M. C. v. lough 1/6/80 | FIRST USED ON | 11750 |
| REMOVE BURRS AND BREAK SHARP CORNERS | CHK'D L. Keenan 3/21/80 | TITLE | UNIBUS INTERFACE |
| DO NOT SCALE DWG | ENG. S. Smith 3/21/80 | SIZE | D |
| MATERIAL | PROJ. ENG. D. Carr 3/21/80 | CODE | BDL0004-0-20 |
| FINISH | PROD. M. Baker 3/21/80 | NUMBER | 1 |
| | NEXT HIGHER ASSY. | REV. | C |
| | | SHEET | 1 OF 1 |

Table of Contents

```

: UBI
:

```

```

: 1 COMET UNIBUS INTERFACE MICROCODE REV 015 12/19/79
: 33 FIELD DEFINITIONS
: 137 FIRST FORK BREAKOUT
: 231 CPU READS AND WRITES TO THE UNIBUS ARE HANDLED IN THIS SECTION
: 293 DATA THROUGH BUFFERED DATA PATH
: 348 BDP DATI'S
: 454 THIS SECTION HANDLES DATO'S TO THE DDP
: 563 THIS PAGE IS WHERE WE COME FOR DATI'S THROUGH THE DIRECT DATA PATH
: 618 PURGE CODE
: 650 POWER UP CODE

```

```

: UBI .MCR (160,5507) Micro-2.1 18(40) 8152133 18-Feb-1980
: UBI .MIC (160,5507) COMET UNIBUS INTERFACE MICROCODE REV 015 12/19/79

```

```

: .TOC "COMET UNIBUS INTERFACE MICROCODE REV 015 12/19/79"
: 1001 7/23/79 DC FIXED DEFINITION OF UA.CTRL.RCV AND RVC.INCR WERE SWAPPED
: 1002 7/23/79 DC FIXED DDP AND BDP DATI CODE TO HOLD BYTE 0 OF DATA IN UD
: 1003 7/23/79 LATCH FOR OFFSET CASE.
: 1004 7/24/79 ONLY E8,E7 CHANGE
: 1005 7/24/79 DC FIXED SEQUENCE AT BEGINNING OF READ SO AS TO NOT
: 1006 7/24/79 CAUSE UDP'S TO DRIVE UA BUS. E8,E7 CHANGE
: 1007 9/14/79 PB CHANGED DEFAULT OF UA.CTRL TO *2* TO GO ALONG WITH CHANGE
: 1008 8/13 FOR REV 001.
: 1009 9/21/79 DC ADDED CONSTRAINED WORD IN DDP.DATO WRAP CODE
: 1010 9/26/79 TO ALLOW UBI TO HOLD DATO DATA ON BUS PROPERLY
: 1011 10/79 ALL ROMS
: 1012 12/19/79 DC FIXED BDP DATI CODE TO HOLD BYTE 0 ON WRAP-CHANGE
: 1013 10/79 TO URDATA FIELD TO KEEP HI-Z. E9 CHANGES
: 1014 12/19/79 DC FIXED DATOB BDP AND WRITE TO ASSERT SSYN BEFORE
: 1015 12/19/79 CHECKING TO SEE IF ITS THERE. E12,E11 CHANGE
: 1016 12/19/79 DC CHANGED PEORMT CONTROL FILE TO BLAST BDPFC FIELD LOW TRUE
: 1017 12/19/79 ONLY E7 CHANGES
: 1018 12/19/79 DC ADDED APB FOR CMI DURING WRAP AROUND READS AND WRITES
: 1019 12/19/79 TO KEEP CMI DURING BOTH SETS
: 1020 12/19/79 DC CHANGED PEORMT CONTROL TTO BLAST BUT<1> LOW TRUE
: 1021 12/19/79 ONLY E10 CHANGES
: 1022 12/19/79 CHANGED HAIN.20, ALL ROMS
: 1023 12/19/79 DC CHANGED PFORMT TO BLAST BUT<0> LOW TRUE
: 1024 12/19/79 E10 CHANGES
: 1025 12/19/79 CHANGED BDP.DATI.50, DDP.40 AND DDP.47 TO BUT ON
: 1026 12/19/79 SSYN INSTEAD OF MSYN
: 1027 12/19/79 DC NUMEROUS CHANGES TO FIX UNALIGNED AND PB PROBLEMS
: 1028 12/19/79 DC FIX TO CPU.RD TO PREVENT IT FROM LEAVING
: 1029 12/19/79 GARBAGE ON THE CMI. E8,E9 CHANGE
: 1030 12/19/79
: 1031
: 132

```

```
133 .TOC "FIELD DEFINITIONS"  
134 .RTOI  
135 .HEXADECIMAL  
136 ;  
137 ;  
138 ;CODE DIVIDED INTO ROMS AS FOLLOWS!  
139 ; <2317> E12  
140 ; <19116> F11  
141 ; <15112> F7  
142 ; <1118> E8  
143 ; <714> E9  
144 ; <310> E10  
145 ;  
146 ;  
147 BUFCMI/=<23123>, .DEFAULT=0 ;PUT MAP PFN AND LOW BITS OF URUS ADDR ON BUFCMI  
148 ADDR=1  
149 HI-Z=0  
150  
151 NEXT/=<2210>, .NEXTADDRESS  
152  
153 BOPC/=<15113>, .DEFAULT=0 ;CONTROLS BOP DATA/ADDR LATCHES  
154 DATI=1 ;RDP<-CMI, UD<-CMI/RDP (NOT BYTE 0 IF BYTE OFFSET), ADDR  
155 ;UD<-RDP/CMI  
156 DATOW=4 ;RDP BYTE 0<-UNIBUS DATA, ADDR  
157 DATO=5 ;RDP<-UNIBUS DATA (2 BYTES) FUNCTION OF A1, OFFSET, ADDR  
158 DATOB=6 ;RDP<-UNIBUS DATA (1 BYTE) FUNCTION OF A1, OFFSET, ADDR  
159  
160 PRTC/=<1210>, .DEFAULT=7 ;CONTROLS DATA PORTS ON UDP CHIPS  
161 DATI=1 ;URUS DEVICE DOING DATI(P)  
162 UR_ADDR=2 ;ADDRESS FROM URUS TO CMI  
163 PURGE_ADDR=3 ;ADDRESS FROM BAR TO CMI  
164 DATO=4  
165 CPU_WRT=5  
166 CPU_PDM=7  
167  
168 UA_CTRL/=<010>, .DEFAULT=2 ;CONTROLS UNIBUS ADDRESS XCVRS  
169 XMIT=0 ;DRIVE UNIBUS ADDRESS LINES  
170 HI-Z=1  
171 RCV_INCR=3 ;RECEIVE AND INCREMENT UNIBUS ADDRESS  
172 RCV=2 ;RECEIVE UNIBUS ADDRESS  
173  
174 MSYN/=<717>, .DEFAULT=0  
175 ASSERT=1  
176  
177
```

```
178 SSYN/=<616>, .DEFAULT=0  
179 ASSERT=1  
180  
181 UBDATA/=<514>, .DEFAULT=2 ;CONTROLS URUS DATA XCVRS  
182 RCV=2  
183 DRIVE_UD=1 ;DRIVE URUS DATA LINES  
184 DRIVE_UD_NOPB=3 ;DRIVE URUS DATA BUT NOT PB LINES  
185 HI-Z=0  
186  
187 CMI_ARB/=<313>, .DEFAULT=0  
188 REQUEST=1  
189  
190 RUT/=<210>, .DEFAULT=0  
191  
192 EMPTY=1  
193 ARR=2  
194 SET_FLAG=3  
195 UB_STATUS=4  
196 CLK_FLAGS=5  
197 CNT_STATUS=6  
198 FIRST_FORK=7  
199  
100 ;  
101 ;  
102 ;  
103 ;  
104 ;  
105 ;  
106 ;  
107 ;  
108 ;  
109 ;  
110 ;  
111 ;  
112 ;  
113 ;  
114 ;  
1000 BOP DATO CMI WRITE NEEDED  
1001 RDP DATO CMI WRITE NEEDED  
1002 RDP DATO NO WRITE  
1003 RDP DATO NO WRITE, OR WRAP WITH NO MATCH  
1004 BOP DATI DATA AVAILABLE  
1005 RDP DATO OFFSET PUTS IN NEXT LONGWORD  
1006 BOP DATI NO DATA AVAILABLE  
1007 CPU READ  
1008 DDP DATO(B)  
1009 DDP DATI(P)  
1010 PURGE  
1011 DDP DATI(P)  
1012 DDP DATO OFFSET PUTS IN NEXT LONGWORD, OR INT  
1013 NOTHING GOING ON  
1014
```


UBI .MCR [160,5507] Micro-2.1 1r(40)
UBI .MIC [160,5507] FIELD DEFINITIONS

8152133 18-Feb-1980

K-MP-L0004-0-21-C

Page 5

```
1115 REG.WRT? "CMI.ARB/REQUEST,PRTC/UB.ADDR,BUT/ARB,BUFCHI/ADDR"  
1116 REG.RD? "CMI.ARB/REQUEST,PRTC/UB.ADDR,RUT/ARE,UBDATA/HI-Z,BUFCHI/ADDR"  
1117 REG.PUR? "CMI.ARB/REQUEST,PRTC/PURGE.ADDR,UA,CTRL/HI-Z,BUT/ARB,BUFCHI/ADDR"  
1118 EMPTY? "BUT/EMPTY"  
1119 FIRST_FORK? "BUT/FIRST_FORK,NEXT/MAIN,LOOP"  
1120 CMI_STAT? "BUT/CMI_STATUS"  
1121 UB_STAT? "BUT/UB_STATUS"  
1122  
1123 Ssyn "SSYN/ASSERT"  
1124 Nsyn "NSYN/ASSEPT"  
1125 INCR "UA,CTRL/RCV,INCR"  
1126 REG "CMI.ARB/REQUEST"  
1127  
1128 DP_CMI "BDPC/DATI,PRTC/DATI,URDATA/HI-Z"  
1129 DP_CMI.W "RDPC/DATI.W,PRTC/DATI,UBDATA/HI-Z,BUFCHI/ADDR"  
1130 UB_CMI.WRT "PRTC/CPU.WRT,UBDATA/DRIVE.UP,UA,CTRL/XMIT"  
1131 UB_CMI.WRT.NOPB "PRTC/CPU.WRT,UBDATA/DRIVE.UP,NOPB,UA,CTRL/XMIT"  
1132 UB_CMI.ADDR "PRTC/CPU.PD,UA,CTRL/XMIT"  
1133 UB_RD_DP "PRTC/DATI,UBDATA/DRIVE.UP"  
1134 REQ_XTRA? "CMI.ARB/PREQUEST,PRTC/UB.ADDR,RUT/SET,FLAG,UA,CTRL/RCV,INCR,BUFCHI/ADDR"  
1135 HOLD.B0  
1136
```

UBI .MCR [160,5507] Micro-2.1 1r(40)
UBI .MIC [160,5507] FIRST FORK BREAKOUT

8152133 18-Feb-1980

Page 6

```
1137 .IOC "FIRST FORK BREAKOUT"  
1138 #0000  
1139 MAIN_LOOP? "THIS IS THE TOP OF FIRST FORK"  
1140 "0000-----";  
1141 RUT/CLK.FLAGS, "BDP DATOB; CMI WRITE"  
1142 RDPC/DATOB,  
1143 NEXT/BDP.DATO  
1144  
1145 "0001-----";  
1146 RUT/CLK.FLAGS, "BDP DATO; CMI WRITE"  
1147 RDPC/DATO,  
1148 NEXT/BDP.DATO  
1149  
1150 "0010-----";  
1151 RDPC/DATOB, "BDP DATOB,BUFFER NOT FULL"  
1152 RUT/CLK.FLAGS,  
1153 NEXT/BDP.DATO.20  
1154  
1155 "0011-----";  
1156 RDPC/DATO, "BDP DATO,BUFFER NOT FULL"  
1157 RUT/CLK.FLAGS, "FOR OFFSET CAUSING WRAPAROUND"  
1158 NEXT/MAIN.20  
1159  
1160 "0100-----";  
1161 RDPC/DATI.W, "BDP DATI, LONGWORD WRAP"  
1162 REQ.RDT,INCR,  
1163 NEXT/BDP.DATI.30 "FIRST WORD IS IN THE BUFFER"  
1164  
1165 "0101-----";  
1166 PRTC/DATI,BDPC/DATI.W, "BDP DATI, DATA AVAILABLE IN"  
1167 UBDATA/HI-Z,REQ, "BUFFER*****"  
1168 NEXT/BDP.DATI.45  
1169  
1170 "0110-----";  
1171 RDPC/DATOB,  
1172 INCR,BUT/SET.FLAG, "BDP DATOB,OFFSET PUTS BYTE"  
1173 NEXT/BDP.DATO.20 "IN NEXT LONGWORD"  
1174  
1175 "0111-----";  
1176 REQ.RDT, "BDP DATI, BUFFER EMPTY"  
1177 NEXT/BDP.DATI.10  
1178
```



```

; UBI .MCR [160,5507] Micro-2.1 1B(40) 9:52133 18-Feb-1980
; UBI .MIC [160,5507] CPU READS AND WRITES TO THE UNIBUS ARE HANDLED IN THIS SECTION

```

```

; THIS SECTION FOR CPU READS TO UNIBUS

```

```

1262 CPU, RD1
1263
1264
1265
1266 U 014, 291C, 20
1267
1268
1269
1270
1271 U 015, 141C, 24
1272
1273
1274
1275
1276 U 029, 3A1C, 20
1277
1278
1279
1280
1281
1282 U 03A, 3A1C, A4
1283
1284
1285
1286 U 03B, 3B1C, A0
1287
1288
1289
1290
1291 U 038, 2B14, 00
1292

```

```

; UBI .MCR [160,5507] Micro-2.1 1B(40) 9:52133 18-Feb-1980
; UBI .MIC [160,5507] DATA THROUGH BUFFERED DATA PATH

```

```

1293
1294
1295
1296
1297
1298
1299
1300
1301
1302
1303
1304
1305
1306
1307
1308
1309
1310
1311
1312
1313
1314
1315
1316
1317
1318
1319
1320
1321
1322
1323
1324
1325
1326
1327
1328
1329
1330
1331
1332
1333
1334
1335
1336
1337
1338
1339
1340
1341
1342
1343
1344
1345
1346
1347

```

```
1348 .TOC "BDP DATI'S"  
1349 !HERE FOR BDP DATI'S THAT NEED CMI ACTION  
1350 #000  
1351 BDP,DATI,101  
1352 !000-----!  
1353 CMI,STAT?, !GOT THE BUS, JUST AS WE LOST MSYN  
1354 BUFCMI/ADDR,  
1355 NEXT/BDP,DATI,20  
1356 !01-----!  
1357 NEXT/IDLE !LOST MSYN, ABORT  
1358 !11-----!  
1359 CMI,STAT?, !GOT THE BUS ,GET READY FOR DATA  
1360 BUFCMI/ADDR,  
1361 NEXT/BDP,DATI,20  
1362 !11-----!  
1363 !MF GOT HERE CAUSE WE DIDN'T WIN THE BUS  
1364 !NEXT/BDP,DATI,10  
1365 !000  
1366 BDP,DATI,201  
1367 !THESE FOUR ARE FOR THE DATA WRAP AROUND CASE  
1368 !000-----!  
1369 DP_CMI,CMI,STAT?,REQ, !DBBZ STILL ASSERTED, KEEP WAITING  
1370 NEXT/BDP,DATI,20  
1371 !001-----!  
1372 DP_CMI,CMI,STAT?,REQ, !DBBZ STILL ASSERTED, KEEP WAITING  
1373 NEXT/BDP,DATI,20  
1374 !010-----!  
1375 !DBBZ GONE, NXM STATUS RETURNED  
1376 !111-----!  
1377 !DATA IN BUFFER, NOW MOVE TO UD  
1378 !BDPC/DATI,  
1379 !URDATA/HI-Z,REQ,  
1380 NEXT/BDP,DATI,35  
1381 !THESE FOUR ENTRIES ARE FOR NO WRAP-AROUND  
1382 !1000-----!  
1383 DP_CMI,CMI,STAT?, !DBBZ STILL ASSERTED, KEEP WAITING  
1384 NEXT/BDP,DATI,20,REQ !*****REMOVE REQ WITH UCN-C  
1385 !001-----!  
1386 DP_CMI,CMI,STAT?, !DBBZ STILL ASSERTED, KEEP WAITING  
1387 NEXT/BDP,DATI,20,REQ !*****REMOVE REQ WITH UCN-C  
1388 !110-----!  
1389 !DBBZ GONE, NXM STATUS RETURNED  
1390 !NEXT/BDP,DATI,50  
1391 !111-----!  
1392 !DBBZ'S GONE, WE GOT THE DATA  
1393 !UR_RD_DP,SSYN, !*****REMOVE REQ WITH UCN-C  
1394 !NEXT/BDP,DATI,55,REQ  
1395 !010-----!  
1396 !DBBZ GONE, NXM STATUS RETURNED  
1397 !NEXT/BDP,DATI,50  
1398 !111-----!  
1399 !DBBZ'S GONE, WE GOT THE DATA  
1400 !UR_RD_DP,SSYN, !*****REMOVE REQ WITH UCN-C  
1401 !NEXT/BDP,DATI,55,REQ  
1402 !*****REMOVE REQ WITH UCN-C
```

```
1403 #000  
1404 BDP,DATI,301  
1405 !000-----!  
1406 HOLD_B0,CMI,STAT?, !GOT THE BUS ,GET READY FOR DATA  
1407 BUFCMI/ADDR,INCR,  
1408 NEXT/BDP,DATI,40  
1409 !01-----!  
1410 !LOST MSYN,ABORT  
1411 !NEXT/IDLE  
1412 !110-----!  
1413 !HOLD_R0,CMI,STAT?, !GOT THE BUS ,GET READY FOR DATA  
1414 BUFCMI/ADDR,INCR,  
1415 NEXT/BDP,DATI,40  
1416 !1000-----!  
1417 BDP,DATI,351  
1418 !111-----!  
1419 !GET THE BUS FOR THE SECOND  
1420 !REQ_RD?,INCR,BDPC/DATI,  
1421 !NEXT/BDP,DATI,30  
1422 #100  
1423 BDP,DATI,401  
1424 !1000-----!  
1425 DP_CMI,CMI,STAT?,INCR, !DBBZ STILL ASSERTED, KEEP WAITING  
1426 NEXT/BDP,DATI,40,REQ !*****REMOVE REQ WITH UCN-C  
1427 !111-----!  
1428 DP_CMI,CMI,STAT?,INCR, !DBBZ STILL ASSERTED, KEEP WAITING  
1429 NEXT/BDP,DATI,40,REQ !*****REMOVE REQ WITH UCN-C  
1430 !110-----!  
1431 !DBBZ GONE, NXM STATUS RETURNED  
1432 !NEXT/BDP,DATI,50  
1433 !111-----!  
1434 !DBBZ'S GONE, WE GOT THE DATA  
1435 !UR_RD_DP,SSYN, !*****REMOVE REQ WITH UCN-C  
1436 !NEXT/BDP,DATI,55,REQ  
1437 #10  
1438 BDP,DATI,501  
1439 !101-----!  
1440 !FIRST,FORK?  
1441 !110-----!  
1442 !DBBZ GONE, NXM STATUS RETURNED  
1443 !NEXT/BDP,DATI,50,REQ  
1444 !*****REMOVE REQ WITH UCN-C  
1445 !111-----!  
1446 !DBBZ'S GONE, WE GOT THE DATA  
1447 !UR_RD_DP,SSYN, !*****REMOVE REQ WITH UCN-C  
1448 !NEXT/BDP,DATI,55,REQ  
1449 !*****REMOVE REQ WITH UCN-C  
1450 !WAIT FOR MSYN TO GO AWAY  
1451 !NEXT/BDP,DATI,50,REQ !*****REMOVE REQ WITH UCN-C  
1452 !*****REMOVE REQ WITH UCN-C  
1453
```

UBI .MCR (160,5507) MICRO-2.1 18(40) 8152133 18-Feb-1980
 UBI .MIC (160,5507) THIS SECTION HANDLES DATO'S TO THE DDP

```

1454 .TOC *THIS SECTION HANDLES DATO'S TO THE DDP*
1455 DDP,DATO;
1456 ;
1457 ;
1458 PRTC/DATO,BUFCHI/ADDR, IWE GOT IT
1459 CMI,STAT?,
1460 NEXT/DDP,DATO.10
1461 ;
1462 ;
1463 ;
1464 ;
1465 ;
1466 ;
1467 ;
1468 ;
1469 ;
1470 ;
1471 ;
1472 ;
1473 ;
1474 ;
1475 ;
1476 ;
1477 ;
1478 ;
1479 ;
1480 ;
1481 ;
1482 ;
1483 ;
1484 ;
1485 ;
1486 ;
1487 ;
1488 ;
1489 ;
1490 ;
1491 ;
1492 ;
1493 ;
1494 ;
1495 ;
1496 ;
1497 ;
1498 ;
1499 ;
1500 ;
1501 ;
1502 ;
1503 ;
1504 ;
1505 ;
1506 ;
1507 ;
    
```

UBI .MCR (160,5507) MICRO-2.1 18(40) 8152133 18-Feb-1980
 UBI .MIC (160,5507) THIS SECTION HANDLES DATO'S TO THE DDP

```

1508 ;
1509 ;
1510 ;
1511 ;
1512 ;
1513 ;
1514 ;
1515 ;
1516 ;
1517 ;
1518 ;
1519 ;
1520 ;
1521 ;
1522 ;
1523 ;
1524 ;
1525 ;
1526 ;
1527 ;
1528 ;
1529 ;
1530 ;
1531 ;
1532 ;
1533 ;
1534 ;
1535 ;
1536 ;
1537 ;
1538 ;
1539 ;
1540 ;
1541 ;
1542 ;
1543 ;
1544 ;
1545 ;
1546 ;
1547 ;
1548 ;
1549 ;
1550 ;
1551 ;
1552 ;
1553 ;
1554 ;
1555 ;
1556 ;
1557 ;
1558 ;
1559 ;
1560 ;
1561 ;
1562 ;
    
```


UBI .MCR [160,5507] MICO=2.1 1R(40)
UBI .MIC [160,5507] POWER UP CODE

```

1650      .TOC "POWER UP CODE"
1651      .REGION /80,7FF
1652
U 080, 0F02,20 NEXT/IDLE
U 081, 0F02,20 NEXT/IDLE
U 082, 0F02,20 NEXT/IDLE
U 083, 0F02,20 NEXT/IDLE
U 084, 0F02,20 NEXT/IDLE
U 085, 0F02,20 NEXT/IDLE
U 086, 0F02,20 NEXT/IDLE
U 087, 0F02,20 NEXT/IDLE
U 088, 0F02,20 NEXT/IDLE
U 089, 0F02,20 NEXT/IDLE
U 08A, 0F02,20 NEXT/IDLE
U 08B, 0F02,20 NEXT/IDLE
U 08C, 0F02,20 NEXT/IDLE
U 08D, 0F02,20 NEXT/IDLE
U 08E, 0F02,20 NEXT/IDLE
U 08F, 0F02,20 NEXT/IDLE
U 090, 0F02,20 NEXT/IDLE
U 091, 0F02,20 NEXT/IDLE
U 092, 0F02,20 NEXT/IDLE
U 093, 0F02,20 NEXT/IDLE
U 094, 0F02,20 NEXT/IDLE
U 095, 0F02,20 NEXT/IDLE
U 096, 0F02,20 NEXT/IDLE
U 097, 0F02,20 NEXT/IDLE
U 098, 0F02,20 NEXT/IDLE
U 099, 0F02,20 NEXT/IDLE
U 09A, 0F02,20 NEXT/IDLE
U 09B, 0F02,20 NEXT/IDLE
U 09C, 0F02,20 NEXT/IDLE
U 09D, 0F02,20 NEXT/IDLE
U 09E, 0F02,20 NEXT/IDLE
U 09F, 0F02,20 NEXT/IDLE
1685

```

```

UBI .MCR [160,5507] MICO=2.1 1R(40)
UBI .MIC [160,5507] POWER UP CODE

```

```

U 0A0, 0F02,20 NEXT/IDLE
U 0A1, 0F02,20 NEXT/IDLE
U 0A2, 0F02,20 NEXT/IDLE
U 0A3, 0F02,20 NEXT/IDLE
U 0A4, 0F02,20 NEXT/IDLE
U 0A5, 0F02,20 NEXT/IDLE
U 0A6, 0F02,20 NEXT/IDLE
U 0A7, 0F02,20 NEXT/IDLE
U 0A8, 0F02,20 NEXT/IDLE
U 0A9, 0F02,20 NEXT/IDLE
U 0AA, 0F02,20 NEXT/IDLE
U 0AB, 0F02,20 NEXT/IDLE
U 0AC, 0F02,20 NEXT/IDLE
U 0AD, 0F02,20 NEXT/IDLE
U 0AE, 0F02,20 NEXT/IDLE
U 0AF, 0F02,20 NEXT/IDLE
U 0B0, 0F02,20 NEXT/IDLE
U 0B1, 0F02,20 NEXT/IDLE
U 0B2, 0F02,20 NEXT/IDLE
U 0B3, 0F02,20 NEXT/IDLE
U 0B4, 0F02,20 NEXT/IDLE
U 0B5, 0F02,20 NEXT/IDLE
U 0B6, 0F02,20 NEXT/IDLE
U 0B7, 0F02,20 NEXT/IDLE
U 0B8, 0F02,20 NEXT/IDLE
U 0B9, 0F02,20 NEXT/IDLE
U 0BA, 0F02,20 NEXT/IDLE
U 0BB, 0F02,20 NEXT/IDLE
U 0BC, 0F02,20 NEXT/IDLE
U 0BD, 0F02,20 NEXT/IDLE
U 0BE, 0F02,20 NEXT/IDLE
U 0BF, 0F02,20 NEXT/IDLE
1718

```

! UBI .MCR [160,5507] Micro-2.1 1B(40)
! UBI .MIC [160,5507] POWER UP CODE

K-MP-L0004-0-21-C

8:52:33 18-Feb-1980

Page 19

U 0C0, 0F02,20 1719 NEXT/IDLE
U 0C1, 0F02,20 1720 NEXT/IDLE
U 0C2, 0F02,20 1721 NEXT/IDLE
U 0C3, 0F02,20 1722 NEXT/IDLE
U 0C4, 0F02,20 1723 NEXT/IDLE
U 0C5, 0F02,20 1724 NEXT/IDLE
U 0C6, 0F02,20 1725 NEXT/IDLE
U 0C7, 0F02,20 1726 NEXT/IDLE
U 0C8, 0F02,20 1727 NEXT/IDLE
U 0C9, 0F02,20 1728 NEXT/IDLE
U 0CA, 0F02,20 1729 NEXT/IDLE
U 0CB, 0F02,20 1730 NEXT/IDLE
U 0CC, 0F02,20 1731 NEXT/IDLE
U 0CD, 0F02,20 1732 NEXT/IDLE
U 0CE, 0F02,20 1733 NEXT/IDLE
U 0CF, 0F02,20 1734 NEXT/IDLE
U 0D0, 0F02,20 1735 NEXT/IDLE
U 0D1, 0F02,20 1736 NEXT/IDLE
U 0D2, 0F02,20 1737 NEXT/IDLE
U 0D3, 0F02,20 1738 NEXT/IDLE
U 0D4, 0F02,20 1739 NEXT/IDLE
U 0D5, 0F02,20 1742 NEXT/IDLE
U 0D6, 0F02,20 1741 NEXT/IDLE
U 0D7, 0F02,20 1742 NEXT/IDLE
U 0D8, 0F02,20 1743 NEXT/IDLE
U 0D9, 0F02,20 1744 NEXT/IDLE
U 0DA, 0F02,20 1745 NEXT/IDLE
U 0DB, 0F02,20 1746 NEXT/IDLE
U 0DC, 0F02,20 1747 NEXT/IDLE
U 0DD, 0F02,20 1748 NEXT/IDLE
U 0DE, 0F02,20 1749 NEXT/IDLE
U 0DF, 0F02,20 1750 NEXT/IDLE
1751

! UBI .MCR [160,5507] Micro-2.1 1B(40)
! UBI .MIC [160,5507] POWER UP CODE

8:52:33 18-Feb-1980

Page 20

U 0E0, 0F02,20 1752 NEXT/IDLE
U 0E1, 0F02,20 1753 NEXT/IDLE
U 0E2, 0F02,20 1754 NEXT/IDLE
U 0E3, 0F02,20 1755 NEXT/IDLE
U 0E4, 0F02,20 1756 NEXT/IDLE
U 0E5, 0F02,20 1757 NEXT/IDLE
U 0E6, 0F02,20 1758 NEXT/IDLE
U 0E7, 0F02,20 1759 NEXT/IDLE
U 0E8, 0F02,20 1760 NEXT/IDLE
U 0E9, 0F02,20 1761 NEXT/IDLE
U 0EA, 0F02,20 1762 NEXT/IDLE
U 0EB, 0F02,20 1763 NEXT/IDLE
U 0EC, 0F02,20 1764 NEXT/IDLE
U 0ED, 0F02,20 1765 NEXT/IDLE
U 0EE, 0F02,20 1766 NEXT/IDLE
U 0EF, 0F02,20 1767 NEXT/IDLE
U 0F0, 0F02,20 1768 NEXT/IDLE
U 0F1, 0F02,20 1769 NEXT/IDLE
U 0F2, 0F02,20 1770 NEXT/IDLE
U 0F3, 0F02,20 1771 NEXT/IDLE
U 0F4, 0F02,20 1772 NEXT/IDLE
U 0F5, 0F02,20 1773 NEXT/IDLE
U 0F6, 0F02,20 1774 NEXT/IDLE
U 0F7, 0F02,20 1775 NEXT/IDLE
U 0F8, 0F02,20 1776 NEXT/IDLE
U 0F9, 0F02,20 1777 NEXT/IDLE
U 0FA, 0F02,20 1778 NEXT/IDLE
U 0FB, 0F02,20 1779 NEXT/IDLE
U 0FC, 0F02,20 1780 NEXT/IDLE
U 0FD, 0F02,20 1781 NEXT/IDLE
U 0FE, 0F02,20 1782 NEXT/IDLE
U 0FF, 0F02,20 1783 NEXT/IDLE
1784

| DRAWING NO. | NO. OF SHTS. | PART NO. | DESCRIPTION | REVISIONS | | | | | | | | | | | | | | | | | | | |
|--|--------------|----------|------------------------------|-----------|--------|-------|-------|----------------------|---|--------------------|--|--------------|--|---------|--|----------------|--|--------|--|--|--|--|--|
| | | | | C | D | E | F | H | | | | | | | | | | | | | | | |
| | | | MODULE REVISION | C | D | E | F | H | | | | | | | | | | | | | | | |
| B-DD-L0005-0 | 1 | | CCS DRAWING DIRECTORY | C | D | E | F | H | | | | | | | | | | | | | | | |
| E-UA-L0005-0-0 | 2 | | CCS UNIT ASSEMBLY | C | C | C | C | D | | | | | | | | | | | | | | | |
| K-PL-L0005-0-DBP | 4 | | CCS PARTS LIST | C | D | E | F | H | | | | | | | | | | | | | | | |
| E-MD-5013516-0-0 | 6 | | CCS DRILL & ETCH DRAWINGS | C | C | C | C | D | | | | | | | | | | | | | | | |
| | | 5013516 | ETCHED BOARD | D | D | D | D | D | | | | | | | | | | | | | | | |
| K-PC-L0005-0-DBC | | | CCS PC DESIGN DATA BASE | D | D | D | D | E | | | | | | | | | | | | | | | |
| E-EC-5013516-0-0 | 2 | | CCS ETCH CUT DRAWINGS | C | C | C | C | C | | | | | | | | | | | | | | | |
| K-CS-L0005-0-DBS | | | CCS DESIGN DATA BASE SUDS | C | C | D | D | E | | | | | | | | | | | | | | | |
| D-CS-L0005-0-1 | 1 | * | CONTROL STORE ADDRESS DECCDE | C | C | D | D | E | | | | | | | | | | | | | | | |
| D-CS-L0005-0-2 | 1 | * | ADDRESS BUFFERS | C | C | D | C | C | | | | | | | | | | | | | | | |
| D-CS-L0005-0-3 | 1 | * | ADDRESS BUFFERS | C | C | C | C | C | | | | | | | | | | | | | | | |
| D-CS-L0005-0-4 | 1 | * | PROM ARRAY | C | C | D | C | C | | | | | | | | | | | | | | | |
| D-CS-L0005-0-5 | 1 | * | PROM ARRAY | C | C | C | C | C | | | | | | | | | | | | | | | |
| D-CS-L0005-0-6 | 1 | * | PROM ARRAY | C | C | C | C | C | | | | | | | | | | | | | | | |
| D-CS-L0005-0-7 | 1 | * | PROM ARRAY | C | C | C | C | C | | | | | | | | | | | | | | | |
| D-CS-L0005-0-8 | 1 | * | PROM ARRAY | C | C | C | C | C | | | | | | | | | | | | | | | |
| D-CS-L0005-0-9 | 1 | * | PROM ARRAY | C | C | C | C | C | | | | | | | | | | | | | | | |
| D-CS-L0005-0-10 | 1 | * | PROM ARRAY | C | C | C | C | C | | | | | | | | | | | | | | | |
| D-CS-L0005-0-11 | 1 | * | PROM ARRAY | C | C | C | C | C | | | | | | | | | | | | | | | |
| D-CS-L0005-0-12 | 1 | * | PROM ARRAY | C | C | C | C | C | | | | | | | | | | | | | | | |
| D-CS-L0005-0-13 | 1 | * | PROM ARRAY | C | C | C | C | C | | | | | | | | | | | | | | | |
| D-CS-L0005-0-14 | 1 | * | IMC'S NAD OSCILLATORS | C | C | C | C | C | | | | | | | | | | | | | | | |
| D-CS-L0005-0-15 | 1 | * | FORWARD REFERENCE | C | C | C | C | C | | | | | | | | | | | | | | | |
| D-CS-L0005-0-16 | 1 | * | FORWARD REFERENCE | C | C | C | C | C | | | | | | | | | | | | | | | |
| K-MC-11750-0-0 | | | 11/750 MICROCODE | A | B | C | D | E | | | | | | | | | | | | | | | |
| NOTES: *CONTROL SOURCE IS THE SUDS DATA BASE NO CONTROLLED PAPER ORIGINALS EXIST ALL DOCUMENTATION RELEASED AT REVISION "C" | | | | REVISIONS | | REV. | D | E | F | H | | | | | | | | | | | | | |
| | | | | CHG NO. | TW001A | TW002 | TW003 | TW004 | | | | | | | | | | | | | | | |
| | | | | DATE | 9-80 | 2-81 | 6-81 | 3-82 | | | | | | | | | | | | | | | |
| | | | | | | | | | | | | | | | | | | | | | | | |
| | | | | | | | | | | | | | | | | | | | | | | | |
| THIS DRAWING AND SPECIFICATIONS, HEREIN, ARE THE PROPERTY OF DIGITAL EQUIPMENT CORPORATION AND SHALL NOT BE REPRODUCED OR COPIED OR USED IN WHOLE OR IN PART AS THE BASIS FOR THE MANUFACTURE OR SALE OF ITEMS WITHOUT WRITTEN PERMISSION. COPYRIGHT © 1980 DIGITAL EQUIPMENT CORPORATION | | | | digital | | | | USED ON OPTION/MODEL | | DRN. J. CASEY | | TITLE CCS | | | | | | | | | | | |
| | | | | | | | | 11/750 | | CHK'D J. CASEY | | | | | | | | | | | | | |
| | | | | | | | | | | ENG. S. SMITH | | SIZE B | | CODE DD | | NUMBER L0005-0 | | REV. H | | | | | |
| | | | | | | | | | | PROD. J. CONSIDINE | | SHEET 1 | | OF 1 | | | | | | | | | |
| | | | | | | | | | | | | | | | | | | | | | | | |

REVISIONS

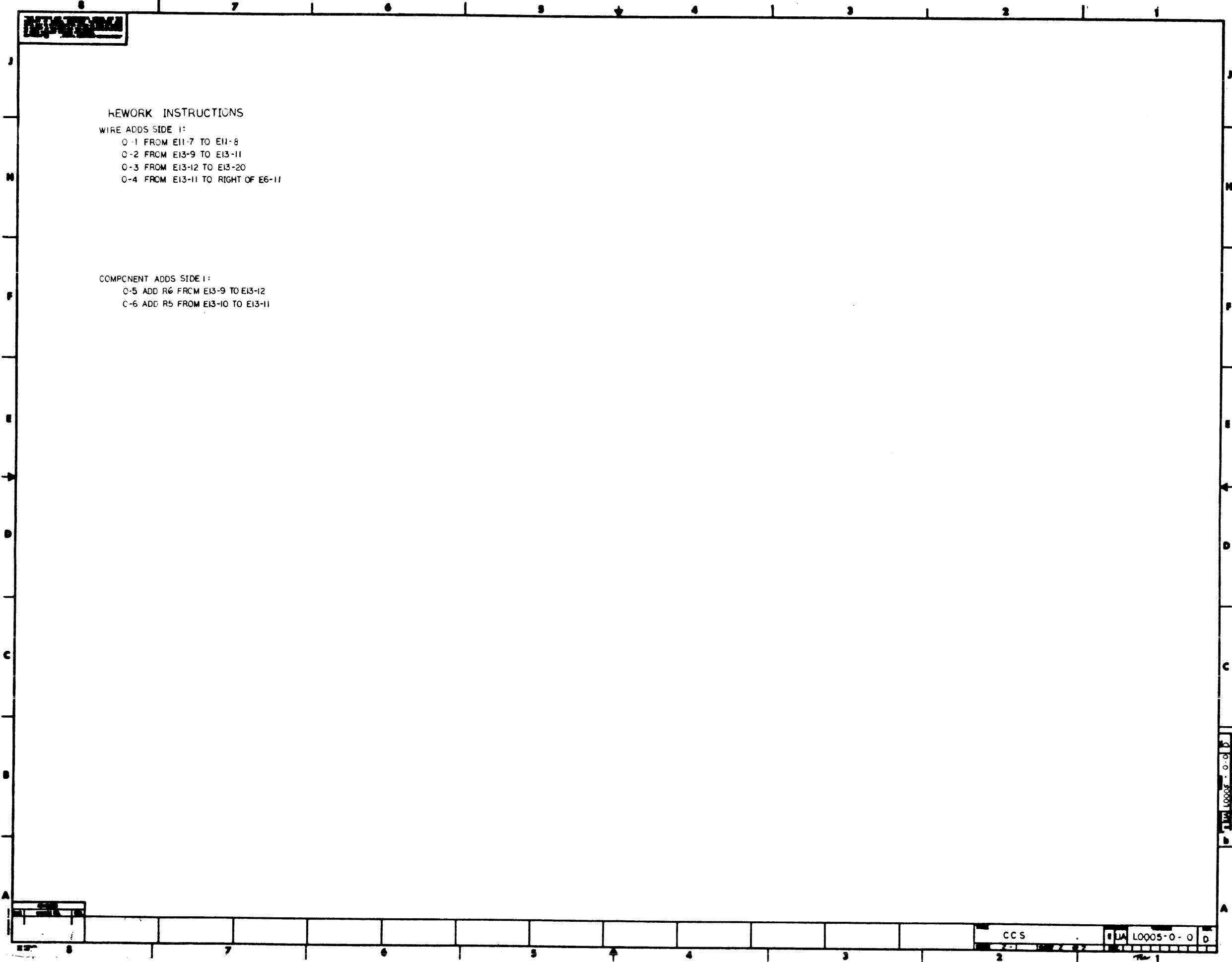
REWORK INSTRUCTIONS

WIRE ADDS SIDE 1:

- O-1 FROM E11-7 TO E11-8
- O-2 FROM E13-9 TO E13-11
- O-3 FROM E13-12 TO E13-20
- O-4 FROM E13-11 TO RIGHT OF E6-11

COMPONENT ADDS SIDE 1:

- O-5 ADD R6 FROM E13-9 TO E13-12
- C-6 ADD R5 FROM E13-10 TO E13-11



CCS L0005-0-0

| LINE | ITEM | DOCUMENT NUMBER | PART NUMBER | DESCRIPTION | QTY PER VARIATION | | REFERENCE DESIGNATOR |
|------|------|------------------|-------------|--------------------------------|-------------------|--|-----------------------|
| | | | | | 00 | | |
| 1 | 1 | E-MD-5013516-0-0 | 5013516-00 | ETCH CIRCUIT BOARD C.S. | 1 | | |
| 2 | 2 | SEE NOTES | 1012084-01 | 8 MFD 25V +75-10% AL EL | 3 | | C1,C5,C8 |
| 3 | 3 | | 1012784-00 | .047 MFD 50V +80-20% CER | 7 | | C2,C3,C4,C6,C7,C9,C10 |
| 4 | 4 | | 1017897-00 | .22 MFD 50V +80-20% CER | 40 | | C11-C50 |
| 5 | 5 | | 1216988-02 | HANDLE,MODULE,HEX TWO EJECTORS | 1 | | |
| 6 | 6 | | 1215006-03 | SKT,IC 18PIN DIP TIN PLATE | 120 | | XE27-XE146 |
| 7 | 7 | | 1300316-00 | 470.0 .25 W 5.0 % CC | 3 | | R1,R2,R4 |
| 8 | 8 | | 1301424-00 | 680.0 .25 W 5.0 % CC | 1 | | R3 |
| 9 | 9 | | 1910533-00 | 74S03 NAND GATE-QUAD 2IN,0 | 1 | | E3 |
| 10 | 10 | | 1910534-00 | 74S04 INVERTER GATE-HEX 1I | 4 | | E12,E15,E18,E20 |
| 11 | 11 | | 1910544-00 | 74S74 FF-D DUAL,EDGE TRIGG | 1 | | E2 |
| 12 | 12 | | 1911573-00 | 74S280 PARITY GEN/CHKR,9BIT | 1 | | E11 |
| 13 | 13 | | 1911675-00 | 74S138 DECODER/DEMUX 3-8 LIN | 1 | | E10 |
| 14 | 14 | | 1912746-00 | DEC 74S37 NAND GATE-QUAD 2IN | 9 | | E16,E17,E19,E21-E26 |
| 15 | 15 | | 1913340-00 | 74S32 OR GATE-QUAD 2IN | 1 | | E1 |
| 16 | 16 | | 1913462-00 | 74S240 OCTAL BUFFER,INVERTI | 1 | | E7 |
| 17 | 17 | | 1913671-00 | 74S374 FF-D OCTAL TRISTATE | 1 | | E6 |
| 18 | 18 | | 1217293-00 | PIN,SQUARE ON NYLON STRIP | 160 | | |
| 19 | 19 | | 23821F1-00 | F1-01 | 1 | | E27 |
| 20 | 20 | | 23822F1-00 | F1-01 | 1 | | E28 |
| 21 | 21 | | 23823F1-00 | F1-01 | 1 | | E29 |
| 22 | 22 | | 23824F1-00 | F1-01 | 1 | | E30 |
| 23 | 23 | | 23825F1-00 | F1-01 | 1 | | E31 |
| 24 | 24 | | 23826F1-00 | F1-01 | 1 | | E32 |
| 25 | 25 | | 23827F1-00 | F1-01 | 1 | | E33 |
| 26 | 26 | | 23828F1-00 | F1-01 | 1 | | E34 |
| 27 | 27 | | 23829F1-00 | F1-01 | 1 | | E35 |
| 28 | 28 | | 23830F1-00 | F1-01 | 1 | | E36 |
| 29 | 29 | | 23831F1-00 | F1-01 | 1 | | E37 |
| 30 | 30 | | 23832F1-00 | F1-01 | 1 | | E38 |

| REVISION HISTORY | | BASIC PART NO: L0005 | | IRN: K.FRIEDGEN | | DATE: 17-MAY-79 | | D I G I T A L | |
|------------------|---------------|----------------------|-------------------------|------------------|-----------|----------------------|-----------|-----------------|------------|
| ENG | ECO NUMBER | REV | SECTION A OF A | CHK'D: | E.T.GERRY | DATE: | 17-MAY-79 | TITLE | PARTS LIST |
| --- | INITIAL | C | SECTION VARIATION INDEX | CHK'D: | E.T.GERRY | DATE: | 17-MAY-79 | CCS | |
| S | ITW001 | D | [A] 00 | | | | | | |
| D | LITW002 | E | [B] | | | | | | |
| G | K/L0005-TW003 | F | [C] | DES.ENG: | S.SMITH | DATE: | 17-MAY-79 | | |
| | | | [D] | | | | | | |
| | | | [E] | RESP.ENG.: | S.SMITH | DATE: | 17-MAY-79 | DOCUMENT NUMBER | |
| | | | [F] | | | | | | |
| | | | [G] | | | | | SIZE | CODE |
| | | | [H] | | | | | NUMBER | REV |
| | | | [I] | | | | | | |
| | | | [J] | | | | | | |
| | | | [K] | MFG.ENG.: | K.O'BRIEN | DATE: | 8-FEB-80 | K | PL |
| | | | [L] | | | | | L0005-0-DBP | F |
| | | | [M] | ASSEMBLY NUMBER: | | TOP DOCUMENT NUMBER: | | FILE NAME: | EDIT # |
| | | | [N] | E-UA-L0005-0-0 | | #B-DD-L0005-0 | | Z1260.PLS | 29 |

*THIS DRAWING AND SPECIFICATIONS HEREIN, ARE THE PROPERTY OF DIGITAL EQUIPMENT CORPORATION AND SHALL NOT BE REPRODUCED OR COPIED OR USED IN WHOLE OR IN PART AS THE BASIS FOR THE MANUFACTURE OR SALE OF ITEMS WITHOUT WRITTEN PERMISSION. COPYRIGHT (C) 1981. DIGITAL EQUIPMENT CORPORATION *

| LINE | ITEM | DOCUMENT NUMBER | PART NUMBER | DESCRIPTION | QTY PER VARIATION 00 | REFERENCE DESIGNATOR |
|------|------|-----------------|-------------|-------------|-------------------------|----------------------|
| 31 | 31 | | 23833F1-00 | F1-01 | 1 | E39 |
| 32 | 32 | | 23834F1-00 | F1-01 | 1 | E40 |
| 33 | 33 | | 23835F1-00 | F1-01 | 1 | E41 |
| 34 | 34 | | 23836F1-00 | F1-01 | 1 | E42 |
| 35 | 35 | | 23837F1-00 | F1-01 | 1 | E43 |
| 36 | 36 | | 23838F1-00 | F1-01 | 1 | E44 |
| 37 | 37 | | 23839F1-00 | F1-01 | 1 | E45 |
| 38 | 38 | | 23840F1-00 | F1-01 | 1 | E46 |
| 39 | 39 | | 23841F1-00 | F1-01 | 1 | E47 |
| 40 | 40 | | 23842F1-00 | F1-01 | 1 | E48 |
| 41 | 41 | | 23718F1-00 | F1-01 | 1 | E49 |
| 42 | 42 | | 23843F1-00 | F1-01 | 1 | E50 |
| 43 | 43 | | 23504F1-00 | F1-01 | 1 | E51 |
| 44 | 44 | | 23505F1-00 | F1-01 | 1 | E52 |
| 45 | 45 | | 23506F1-00 | F1-01 | 1 | E53 |
| 46 | 46 | | 23507F1-00 | F1-01 | 1 | E54 |
| 47 | 47 | | 23719F1-00 | F1-01 | 1 | E55 |
| 48 | 48 | | 23844F1-00 | F1-01 | 1 | E56 |
| 49 | 49 | | 23845F1-00 | F1-01 | 1 | E57 |
| 50 | 50 | | 23511F1-00 | F1-01 | 1 | E58 |
| 51 | 51 | | 23720F1-00 | F1-01 | 1 | E59 |
| 52 | 52 | | 23846F1-00 | F1-01 | 1 | E60 |
| 53 | 53 | | 23721F1-00 | F1-01 | 1 | E61 |
| 54 | 54 | | 23847F1-00 | F1-01 | 1 | E62 |
| 55 | 55 | | 23848F1-00 | F1-01 | 1 | E63 |
| 56 | 56 | | 23849F1-00 | F1-01 | 1 | E64 |
| 57 | 57 | | 23786F1-00 | F1-01 | 1 | E65 |
| 58 | 58 | | 23850F1-00 | F1-01 | 1 | E66 |
| 59 | 59 | | 23724F1-00 | F1-01 | 1 | E67 |
| 60 | 60 | | 23851F1-00 | F1-01 | 1 | E68 |
| 61 | 61 | | 23852F1-00 | F1-01 | 1 | E69 |
| 62 | 62 | | 23778F1-00 | F1-01 | 1 | E70 |
| 63 | 63 | | 23726F1-00 | F1-01 | 1 | E71 |
| 64 | 64 | | 23853F1-00 | F1-01 | 1 | E72 |
| 65 | 65 | | 23727F1-00 | F1-01 | 1 | E73 |
| 66 | 66 | | 23854F1-00 | F1-01 | 1 | E74 |
| 67 | 67 | | 23855F1-00 | F1-01 | 1 | E75 |
| 68 | 68 | | 23779F1-00 | F1-01 | 1 | E76 |
| 69 | 69 | | 23856F1-00 | F1-01 | 1 | E77 |
| 70 | 70 | | 23857F1-00 | F1-01 | 1 | E78 |
| 71 | 71 | | 23732F1-00 | F1-01 | 1 | E79 |
| 72 | 72 | | 23858F1-00 | F1-01 | 1 | E80 |
| 73 | 73 | | 23859F1-00 | F1-01 | 1 | E81 |
| 74 | 74 | | 23535F1-00 | F1-01 | 1 | E82 |
| 75 | 75 | | 23733F1-00 | F1-01 | 1 | E83 |
| 76 | 76 | | 23860F1-00 | F1-01 | 1 | E84 |
| 77 | 77 | | 23734F1-00 | F1-01 | 1 | E85 |
| 78 | 78 | | 23861F1-00 | F1-01 | 1 | E86 |

| | | | | | | | | | | | | | | |
|---|---|---|---|---|---|---|-------|-----|-----------|------|------|------|-----------------|-----|
| D | I | G | I | T | A | L | TITLE | CCS | SECTION A | OF A | SIZE | CODE | DOCUMENT NUMBER | REV |
| | | | | | | | | | | | K | PL | L0005-0-DBP | F |

| LINE ITEM | DOCUMENT NUMBER | PART NUMBER | DESCRIPTION | QTY PER VARIATION 00 | REFERENCE DESIGNATOR |
|-----------|-----------------|-------------|-------------|-------------------------|----------------------|
| 79 | 79 | 23862F1-00 | F1-01 | 1 | E87 |
| 80 | 80 | 23863F1-00 | F1-01 | 1 | E88 |
| 81 | 81 | 23864F1-00 | F1-01 | 1 | E89 |
| 82 | 82 | 23865F1-00 | F1-01 | 1 | E90 |
| 83 | 83 | 23866F1-00 | F1-01 | 1 | E91 |
| 84 | 84 | 23867F1-00 | F1-01 | 1 | E92 |
| 85 | 85 | 23868F1-00 | F1-01 | 1 | E93 |
| 86 | 86 | 23869F1-00 | F1-01 | 1 | E94 |
| 87 | 87 | 23740F1-00 | F1-01 | 1 | E95 |
| 88 | 88 | 23870F1-00 | F1-01 | 1 | E96 |
| 89 | 89 | 23741F1-00 | F1-01 | 1 | E97 |
| 90 | 90 | 23871F1-00 | F1-01 | 1 | E98 |
| 91 | 91 | 23872F1-00 | F1-01 | 1 | E99 |
| 92 | 92 | 23553F1-00 | F1-01 | 1 | E100 |
| 93 | 93 | 23743F1-00 | F1-01 | 1 | E101 |
| 94 | 94 | 23873F1-00 | F1-01 | 1 | E102 |
| 95 | 95 | 23744F1-00 | F1-01 | 1 | E103 |
| 96 | 96 | 23874F1-00 | F1-01 | 1 | E104 |
| 97 | 97 | 23875F1-00 | F1-01 | 1 | E105 |
| 98 | 98 | 23559F1-00 | F1-01 | 1 | E106 |
| 99 | 99 | 23745F1-00 | F1-01 | 1 | E107 |
| 100 | 100 | 23876F1-00 | F1-01 | 1 | E108 |
| 101 | 101 | 23746F1-00 | F1-01 | 1 | E109 |
| 102 | 102 | 23877F1-00 | F1-01 | 1 | E110 |
| 103 | 103 | 23878F1-00 | F1-01 | 1 | E111 |
| 104 | 104 | 23565F1-00 | F1-01 | 1 | E112 |
| 105 | 105 | 23747F1-00 | F1-01 | 1 | E113 |
| 106 | 106 | 23879F1-00 | F1-01 | 1 | E114 |
| 107 | 107 | 23748F1-00 | F1-01 | 1 | E115 |
| 108 | 108 | 23880F1-00 | F1-01 | 1 | E116 |
| 109 | 109 | 23881F1-00 | F1-01 | 1 | E117 |
| 110 | 110 | 23571F1-00 | F1-01 | 1 | E118 |
| 111 | 111 | 23882F1-00 | F1-01 | 1 | E119 |
| 112 | 112 | 23883F1-00 | F1-01 | 1 | E120 |
| 113 | 113 | 23750F1-00 | F1-01 | 1 | E121 |
| 114 | 114 | 23884F1-00 | F1-01 | 1 | E122 |
| 115 | 115 | 23885F1-00 | F1-01 | 1 | E123 |
| 116 | 116 | 23577F1-00 | F1-01 | 1 | E124 |
| 117 | 117 | 23752F1-00 | F1-01 | 1 | E125 |
| 118 | 118 | 23886F1-00 | F1-01 | 1 | E126 |
| 119 | 119 | 23753F1-00 | F1-01 | 1 | E127 |
| 120 | 120 | 23887F1-00 | F1-01 | 1 | E128 |
| 121 | 121 | 23888F1-00 | F1-01 | 1 | E129 |
| 122 | 122 | 23754F1-00 | F1-01 | 1 | E130 |
| 123 | 123 | 23755F1-00 | F1-01 | 1 | E131 |
| 124 | 124 | 23889F1-00 | F1-01 | 1 | E132 |
| 125 | 125 | 23757F1-00 | F1-01 | 1 | E133 |
| 126 | 126 | 23890F1-00 | F1-01 | 1 | E134 |

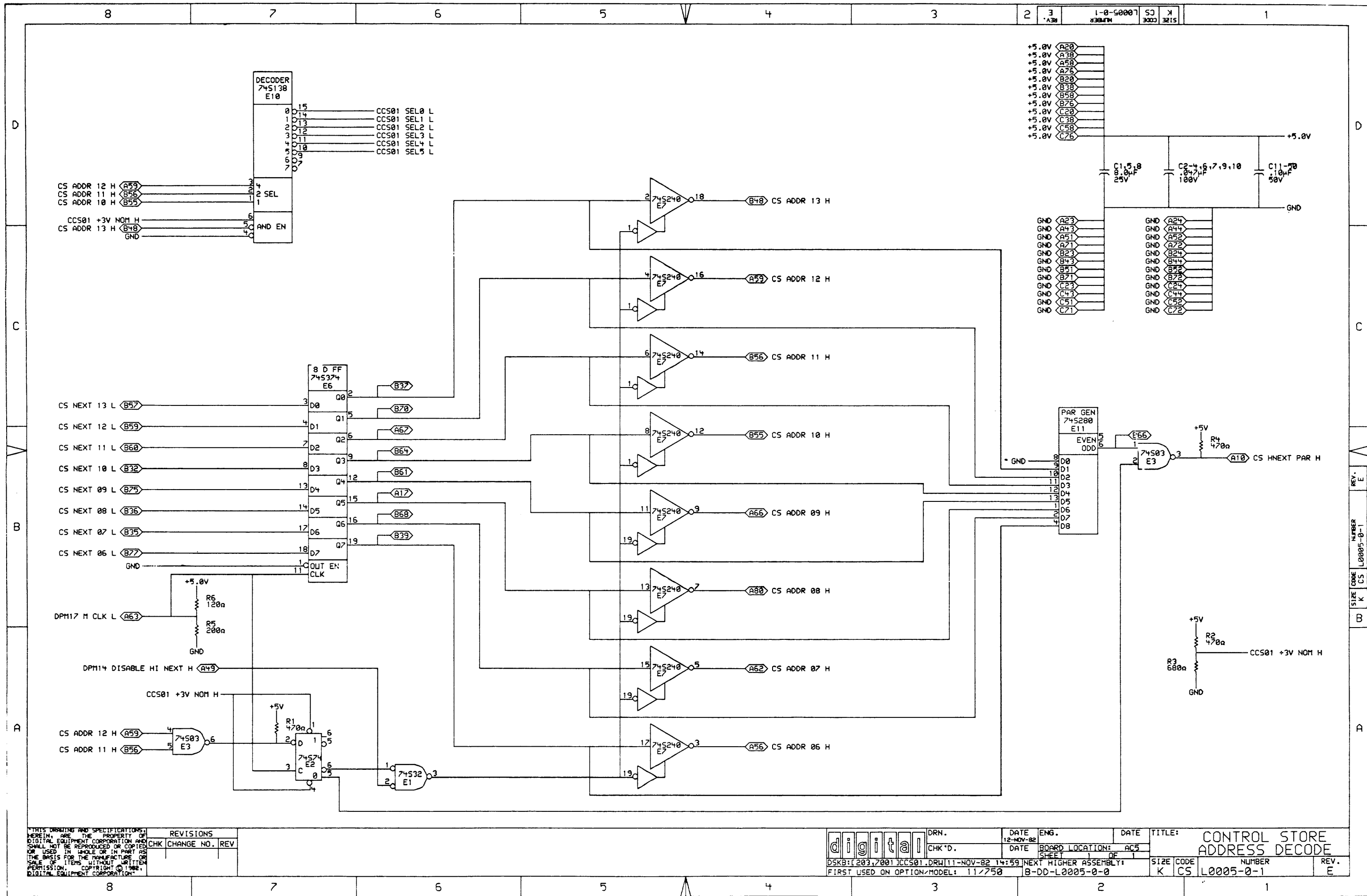
| | | | | | | | |
|---------------------------|-------|-----------------------------------|---------------|-------------------|-------------------|---|---------------|
| ! I ! G ! I ! T ! A ! L ! | TITLE | ! S ! E ! C ! T ! I ! O ! N ! A ! | ! O ! F ! A ! | ! S ! I ! Z ! E ! | ! C ! O ! D ! E ! | ! D ! O ! C ! U ! M ! E ! N ! T ! N ! U ! M ! B ! E ! R ! | ! R ! E ! V ! |
| ! ! ! ! ! ! ! ! | CCS | ! ! ! ! ! ! ! ! | | ! ! ! ! ! ! ! ! | ! ! ! ! ! ! ! ! | L0005-0-DBP | ! F ! |

| LINE ITEM | DOCUMENT NUMBER | PART NUMBER | DESCRIPTION | QTY PER VARIATION 00 | REFERENCE DESIGNATOR |
|-----------|-----------------|-------------|---------------------------------|-------------------------|----------------------|
| 127 | 127 | 23891F1-00 | F1-01 | 1 | E135 |
| 128 | 128 | 23892F1-00 | F101 | 1 | E136 |
| 129 | 129 | 23760F1-00 | F1-01 | 1 | E137 |
| 130 | 130 | 23893F1-00 | F1-01 | 1 | E138 |
| 131 | 131 | 23762F1-00 | F1-01 | 1 | E139 |
| 132 | 132 | 23894F1-00 | F1-01 | 1 | E140 |
| 133 | 133 | 23895F1-00 | F1-01 | 1 | E141 |
| 134 | 134 | 23896F1-00 | F1-01 | 1 | E142 |
| 135 | 135 | 23897F1-00 | F1-01 | 1 | E143 |
| 136 | 136 | 23898F1-00 | F1-01 | 1 | E144 |
| 137 | 137 | 23899F1-00 | F1-01 | 1 | E145 |
| 138 | 138 | 23900F1-00 | F1-01 | 1 | E146 |
| 139 | 139 | 9000024-01 | EYELET,ROLL FLANGE .1210IX .192 | 12 | |
| 140 | 140 | 1912830-00 | LS90 COUNTER,ASYNCH UP,DE | 1 | E4 |
| 141 | 141 | 1811660-01 | OSCILLATOR, XTAL 10.000 MHZ | 1 | E5 |
| 142 | 142 | 1811660-29 | OSCILLATOR, XTAL 18.750 MHZ | 1 | E8 |
| 143 | 143 | 1300247-00 | 120.0 .25 W 5.0 % CC | 1 | R5 |
| 144 | 144 | 1311522-00 | 200.0 .25 W 5.0 % CC | 1 | R6 |
| 145 | 145 | 1214314-00 | CONN 2POS JUMPER | 1 | |

146 NOTE: ITEM #18 IS USED ON J1-J4.

147 NOTE: SOME MODULES WILL HAVE 10-05306 INSTEAD OF 10-12084-01

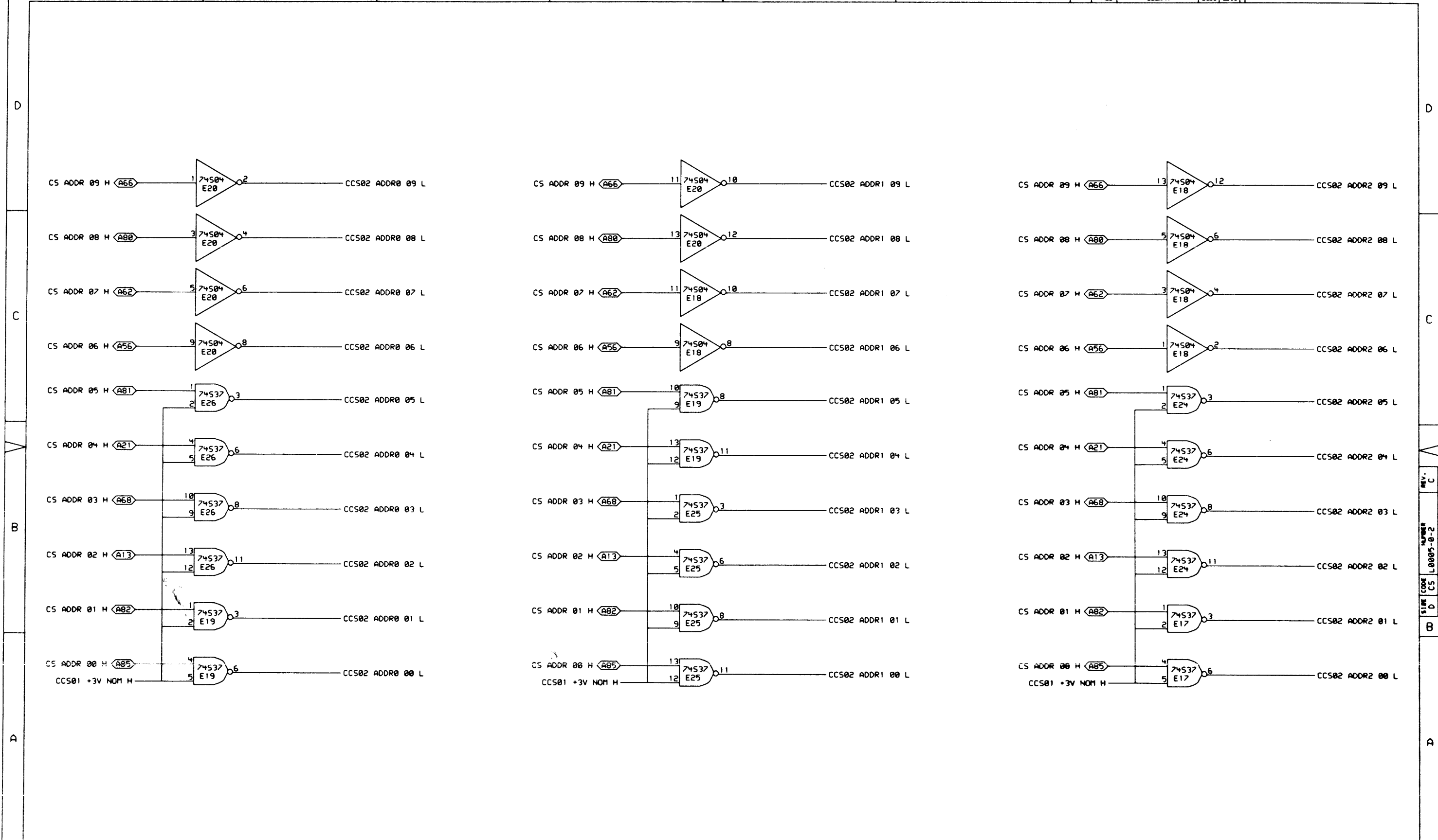
| | | | | | | | | | | | | |
|---|---|---|---|---|---|---|-------|----------------|------|------|-----------------|-----|
| D | I | G | I | T | A | L | TITLE | SECTION A OF A | SIZE | CODE | DOCUMENT NUMBER | REV |
| | | | | | | | CCS | | K | PL | L0005-0-DBF | F |



| REVISIONS | |
|-----------|----------------|
| CHK | CHANGE NO. REV |
| | |

| DATE | ENG. | DATE | TITLE: |
|-----------|------|------|------------------------------|
| 12-NOV-82 | | | CONTROL STORE ADDRESS DECODE |

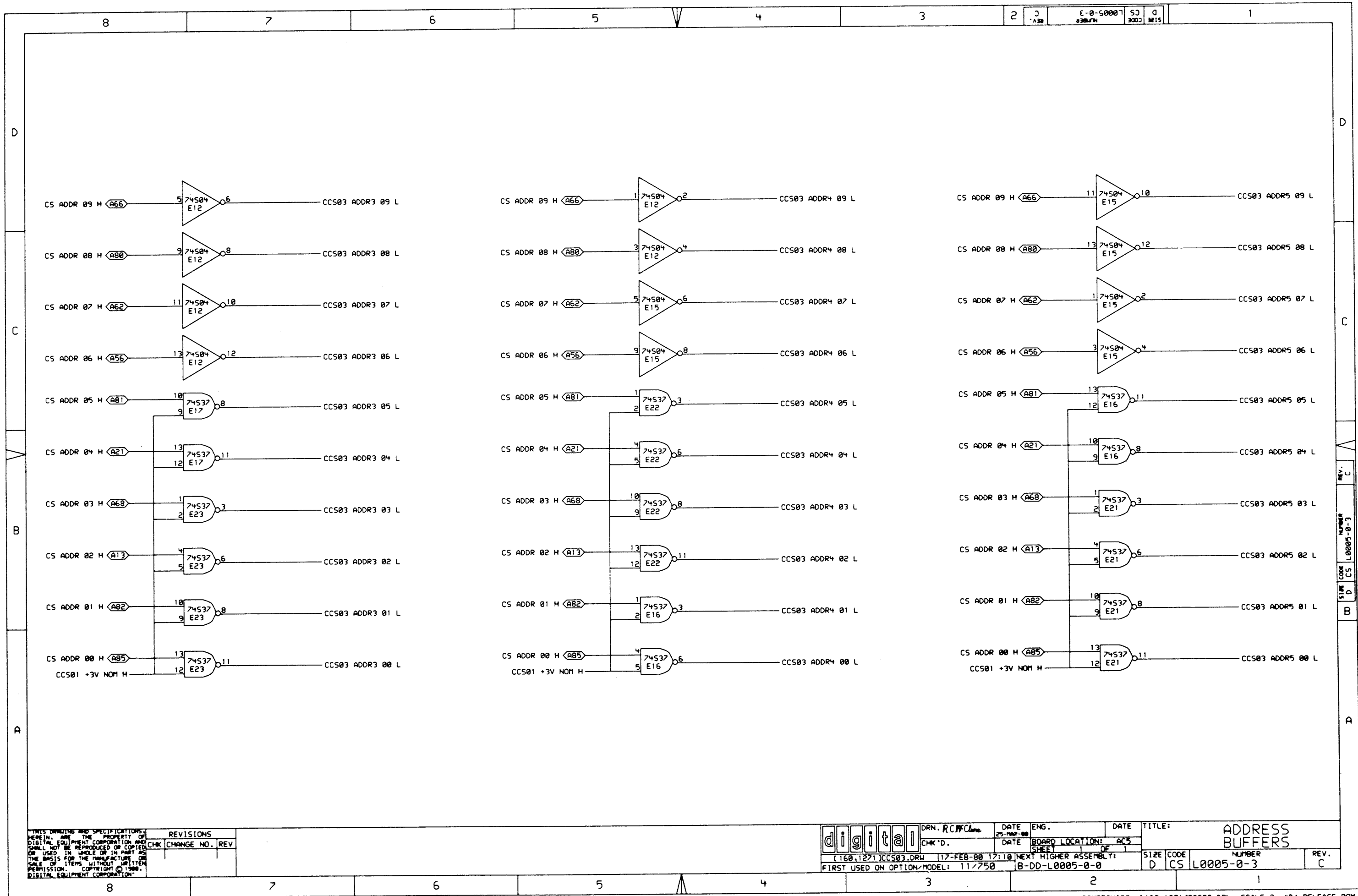
| | | | | |
|---|-----------------------|-----------|-----------|------|
| DSKB: [203,200] CCS01.DRW [11-NOV-82 14:59] | NEXT HIGHER ASSEMBLY: | SIZE CODE | NUMBER | REV. |
| FIRST USED ON OPTION/MODEL: 11/750 | B-DD-L0005-0-0 | K CS | L0005-0-1 | E |



THIS DRAWING AND SPECIFICATIONS ARE THE PROPERTY OF DIGITAL EQUIPMENT CORPORATION AND SHALL NOT BE REPRODUCED OR COPIED OR USED IN WHOLE OR IN PART AS THE BASIS FOR THE MANUFACTURE OR SALE OF ITEMS WITHOUT WRITTEN PERMISSION. COPYRIGHT © 1980, DIGITAL EQUIPMENT CORPORATION.

| REVISIONS | | |
|-----------|------------|-----|
| CHK | CHANGE NO. | REV |
| | | |

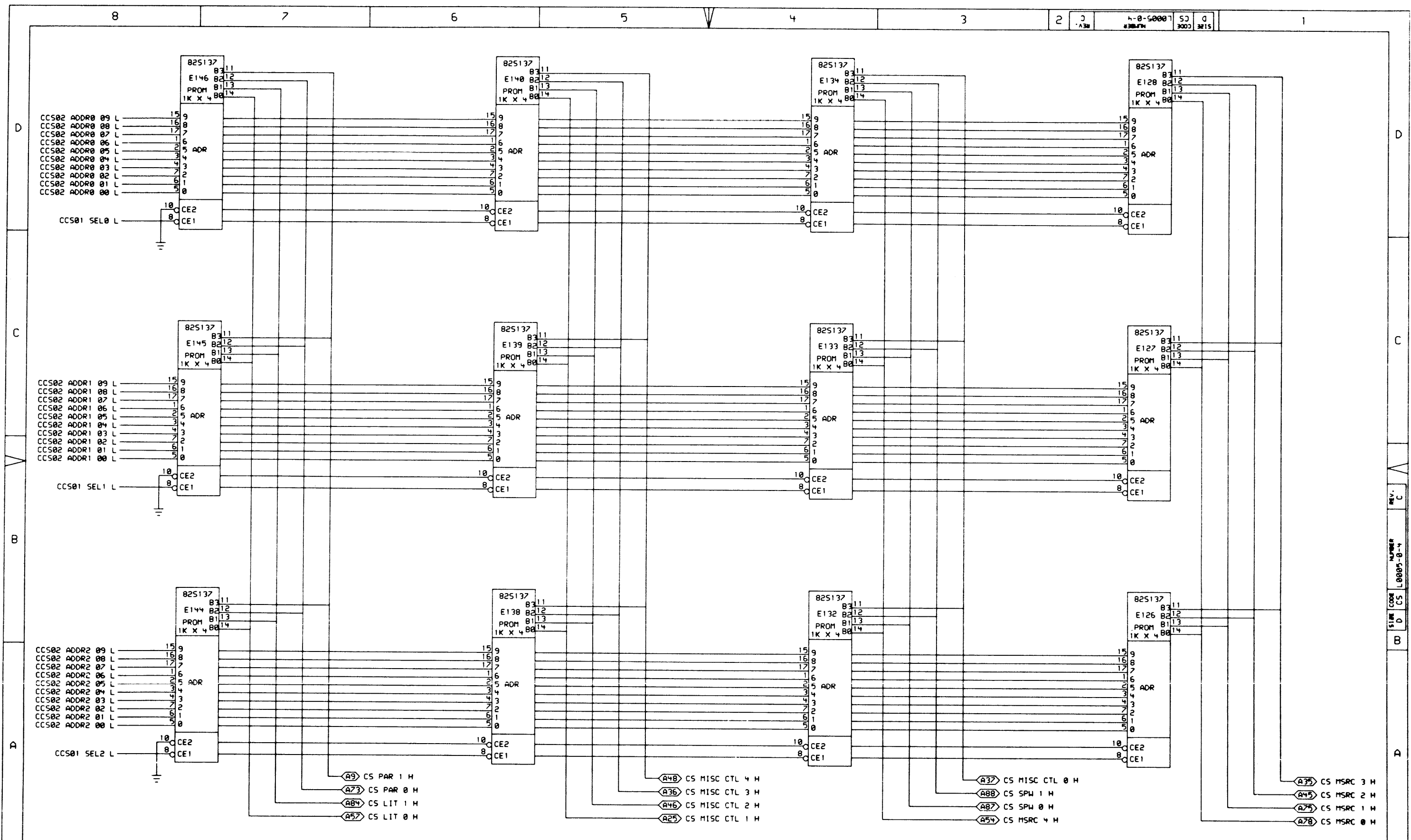
| | | | | | |
|------------------------------------|----------------------|-----------------|---------------------|--------|------------------------|
| digital | DRN. R.C.F. / CHK'D. | DATE 25-MAR-80 | ENG. | DATE | TITLE: ADDRESS BUFFERS |
| | [160,127] CCS02.DRW | 12-FEB-80 12:00 | BOARD LOCATION: AC5 | OF | NUMBER L0005-0-2 |
| FIRST USED ON OPTION/MODEL: 11/750 | | | | REV. C | |



THIS DRAWING AND SPECIFICATIONS ARE THE PROPERTY OF DIGITAL EQUIPMENT CORPORATION AND SHALL NOT BE REPRODUCED OR COPIED OR USED IN WHOLE OR IN PART AS THE BASIS FOR THE MANUFACTURE OR SALE OF ITEMS WITHOUT WRITTEN PERMISSION. COPYRIGHT © 1980, DIGITAL EQUIPMENT CORPORATION.

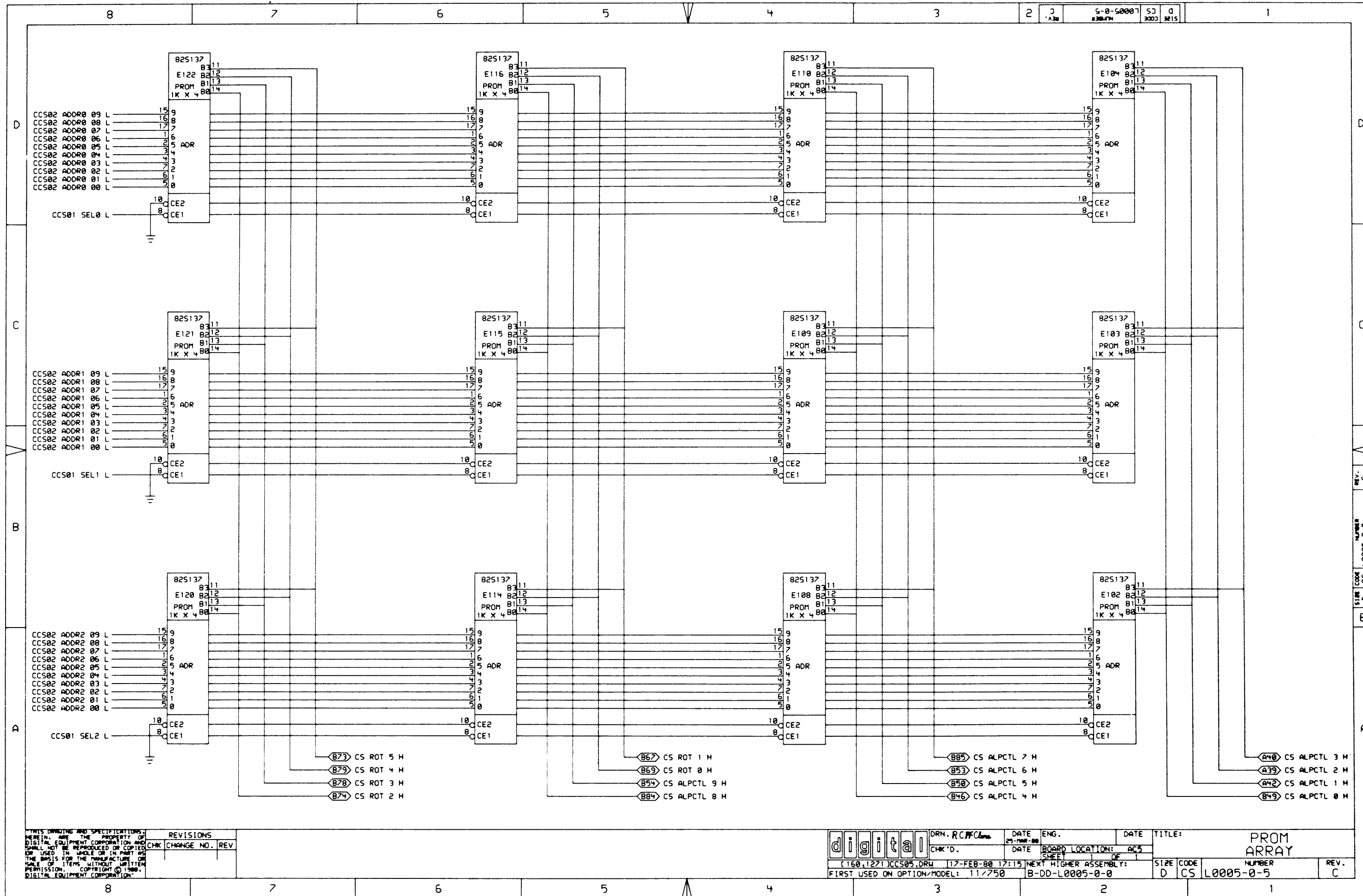
| REVISIONS | | |
|-----------|------------|-----|
| CHK | CHANGE NO. | REV |
| | | |

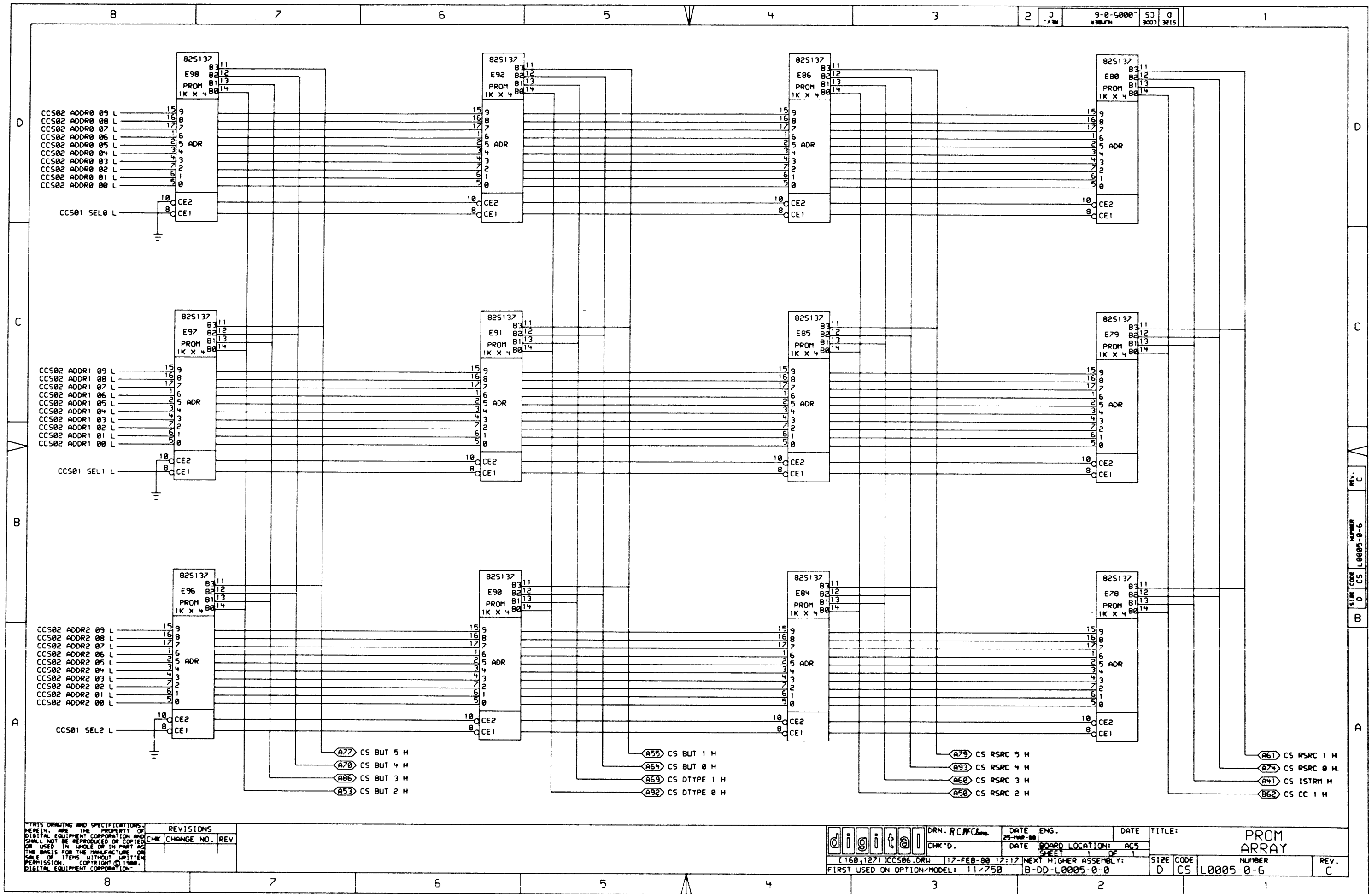
| | | | | | |
|------------------------------------|---------------|--------------------------------------|-----------------|-----------|-----------------|
| digital | DRN. R.C.F.C. | DATE | ENG. | DATE | TITLE: |
| | CHK'D. | DATE | BOARD LOCATION: | AC5 | ADDRESS BUFFERS |
| FIRST USED ON OPTION/MODEL: 11/750 | | NEXT HIGHER ASSEMBLY: B-DD-L0005-0-0 | | SIZE | CODE |
| | | | | D | CS |
| | | | | NUMBER | REV. |
| | | | | L0005-0-3 | C |



- (A9) CS PAR 1 H
- (A73) CS PAR 0 H
- (A84) CS LIT 1 H
- (A57) CS LIT 0 H
- (A48) CS MISC CTL 4 H
- (A36) CS MISC CTL 3 H
- (A46) CS MISC CTL 2 H
- (A25) CS MISC CTL 1 H
- (A37) CS MISC CTL 0 H
- (A88) CS SPW 1 H
- (A87) CS SPW 0 H
- (A54) CS MSRC 4 H
- (A35) CS MSRC 3 H
- (A45) CS MSRC 2 H
- (A75) CS MSRC 1 H
- (A78) CS MSRC 0 H

| | | | | | | | |
|--|---------------------------------|---|----------------------------------|---|--|-----------------------------|--|
| THIS DRAWING AND SPECIFICATIONS ARE THE PROPERTY OF DIGITAL EQUIPMENT CORPORATION AND SHALL NOT BE REPRODUCED OR COPIED OR USED IN WHOLE OR IN PART AS THE BASIS FOR THE MANUFACTURE OR SALE OF ITEMS WITHOUT WRITTEN PERMISSION. COPYRIGHT © 1980, DIGITAL EQUIPMENT CORPORATION. | REVISIONS CHK CHANGE NO. REV | digital DRN. RCM/Chas CHK'D. | DATE 25-MAR-88 DATE 17-FEB-88 | ENG. BOARD LOCATION: ACS SHEET 1 OF | DATE NEXT HIGHER ASSEMBLY: B-DD-L0005-0-0 | TITLE: PROM ARRAY | SIZE CODE D CS NUMBER L0005-0-4 REV. C |
|--|---------------------------------|---|----------------------------------|---|--|-----------------------------|--|

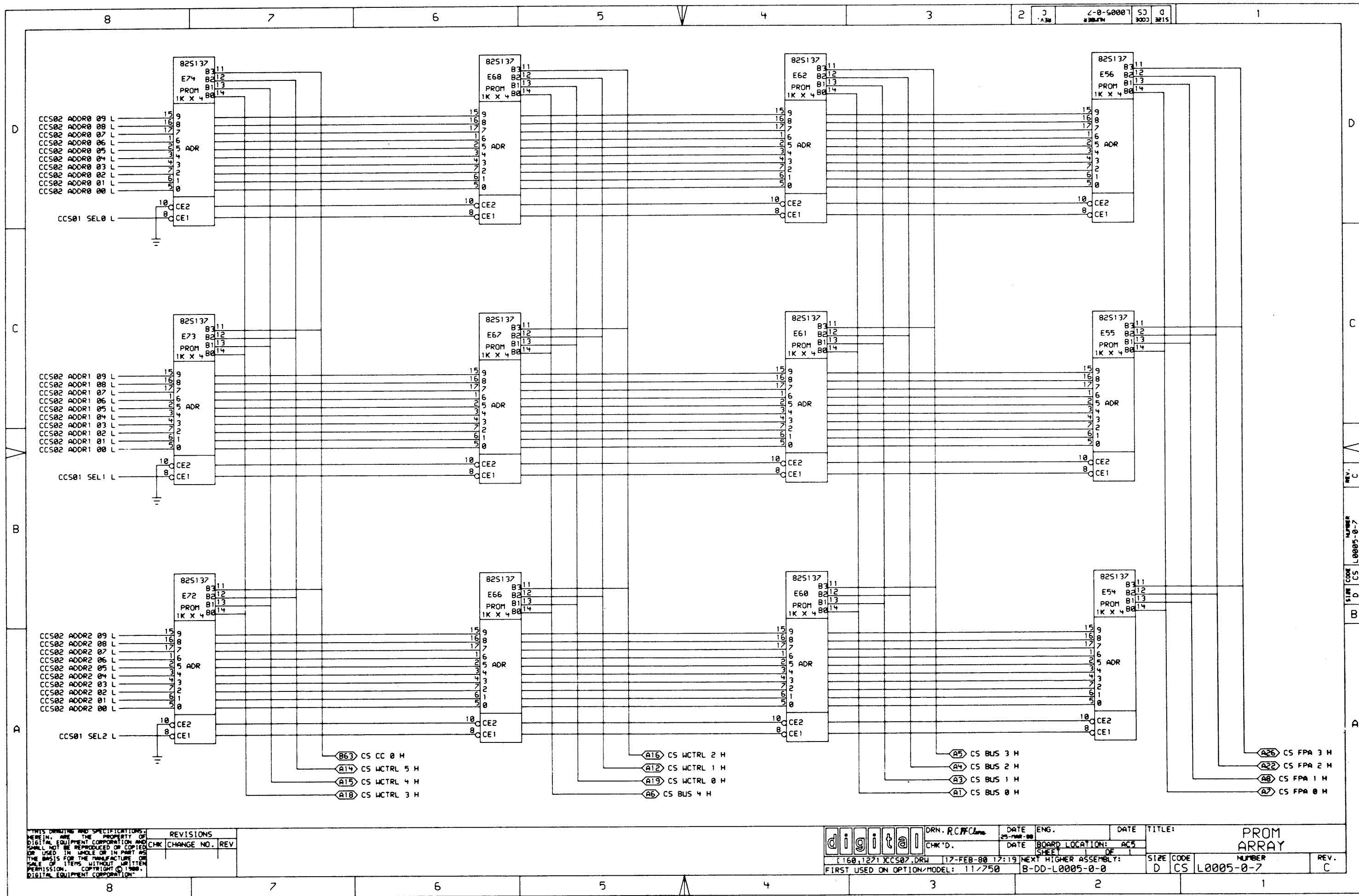




THIS DRAWING AND SPECIFICATIONS HEREBY ARE THE PROPERTY OF DIGITAL EQUIPMENT CORPORATION AND SHALL NOT BE REPRODUCED OR COPIED OR USED IN WHOLE OR IN PART AS THE BASIS FOR THE MANUFACTURE OR SALE OF ITEMS WITHOUT WRITTEN PERMISSION. COPYRIGHT © 1980, DIGITAL EQUIPMENT CORPORATION.

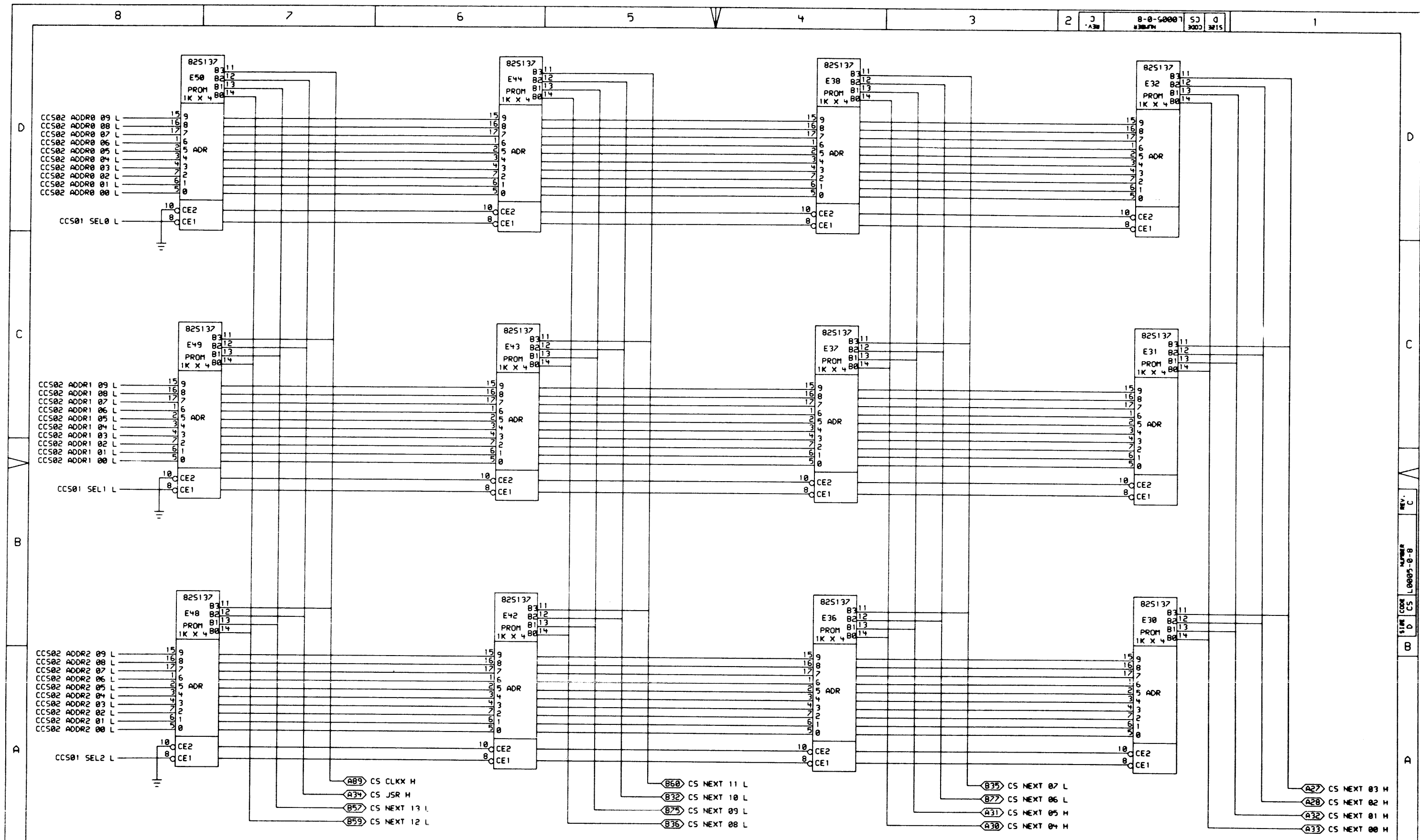
| REVISIONS | | |
|-----------|------------|-----|
| CHK | CHANGE NO. | REV |
| | | |

| | | | | |
|-------------------------------------|---------------|--------------------------------------|--------------|-----------------------|
| | DRN. R.C.F.C. | DATE ENG. | DATE | TITLE: |
| | CHK'D. | DATE BOARD LOCATION: AC5 | SHEET 1 OF 1 | PROM ARRAY |
| FIRST USED ON OPTION/MODEL: 11750 | | NEXT HIGHER ASSEMBLY: B-DD-L0005-0-0 | | SIZE CODE NUMBER REV. |
| [160,127] CCS06.DRW 17-FEB-80 17:17 | | D CS L0005-0-6 | | C |



| CHK | CHANGE NO. | REV |
|-----|------------|-----|
| | | |

| | | | | | |
|---|---|---|----------------------------|----------------|--------------------------|
| <p>THIS DRAWING AND SPECIFICATIONS ARE THE PROPERTY OF DIGITAL EQUIPMENT CORPORATION AND SHALL NOT BE REPRODUCED OR COPIED OR USED IN WHOLE OR IN PART AS THE BASIS FOR THE MANUFACTURE OR SALE OF ITEMS WITHOUT WRITTEN PERMISSION. COPYRIGHT © 1980, DIGITAL EQUIPMENT CORPORATION.</p> | <p>DRN. R.C.F./Cms</p> | <p>DATE 25-MAR-80</p> | <p>ENG.</p> | <p>DATE</p> | <p>TITLE: PROM ARRAY</p> |
| <p>digital</p> | <p>CHK'D.</p> | <p>DATE 17-FEB-80 17:19</p> | <p>BOARD LOCATION: AC5</p> | <p>SHEET 1</p> | <p>SIZE CODE D CS</p> |
| <p>160,1271 XCS07.DRW</p> | <p>FIRST USED ON OPTION/MODEL: 117750</p> | <p>NEXT HIGHER ASSEMBLY: B-DD-L0005-0-0</p> | <p>NUMBER L0005-0-7</p> | <p>REV. C</p> | |

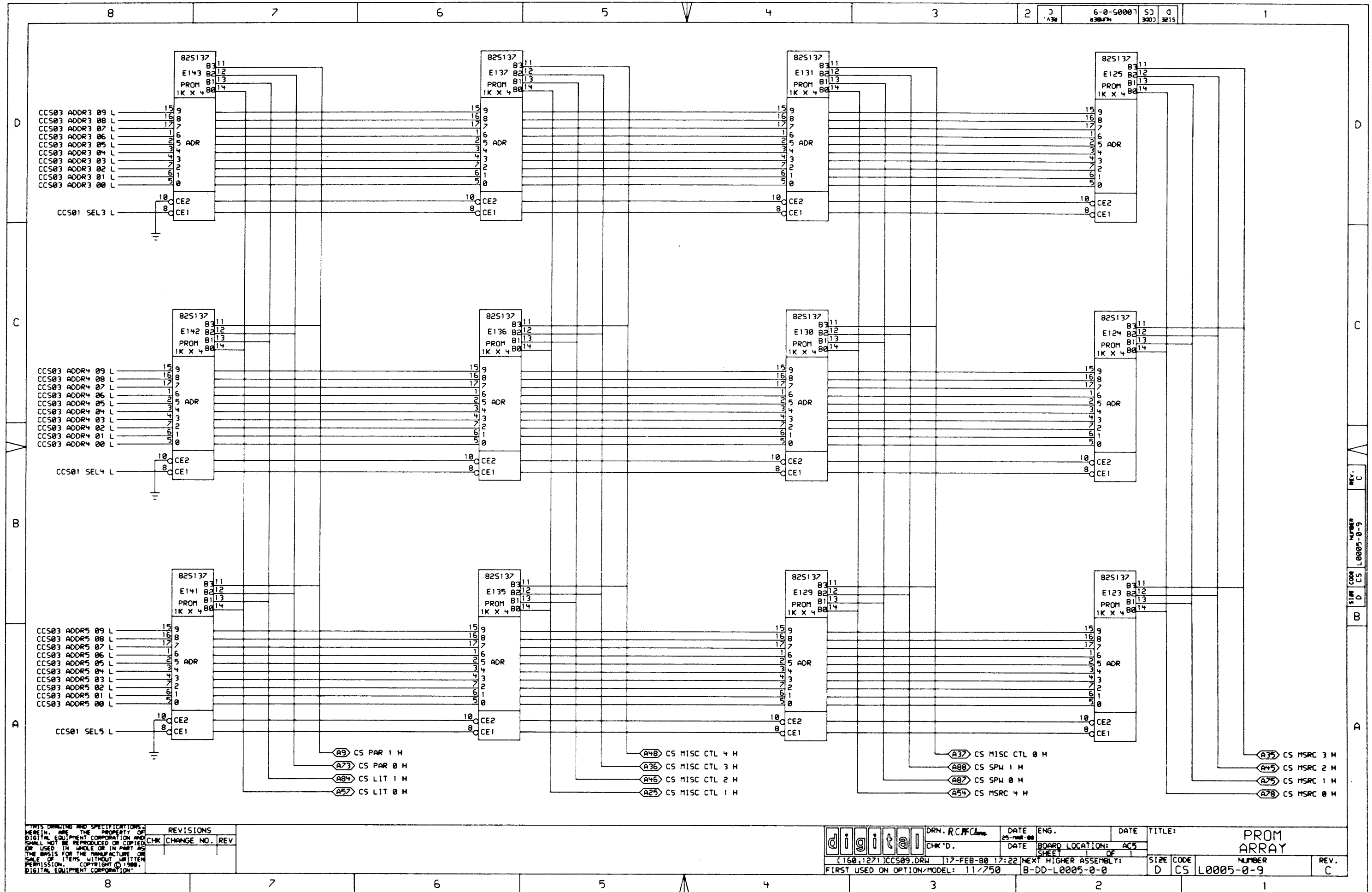


- (A89) CS CLKX H
- (A74) CS JSR H
- (B57) CS NEXT 13 L
- (B59) CS NEXT 12 L
- (B60) CS NEXT 11 L
- (B32) CS NEXT 10 L
- (B75) CS NEXT 09 L
- (B36) CS NEXT 08 L
- (B35) CS NEXT 07 L
- (B77) CS NEXT 06 L
- (A31) CS NEXT 05 H
- (A30) CS NEXT 04 H
- (A27) CS NEXT 03 H
- (A28) CS NEXT 02 H
- (A32) CS NEXT 01 H
- (A33) CS NEXT 00 H

THIS DRAWING AND SPECIFICATIONS HEREIN ARE THE PROPERTY OF DIGITAL EQUIPMENT CORPORATION AND SHALL NOT BE REPRODUCED OR COPIED OR USED IN WHOLE OR IN PART AS THE BASIS FOR THE MANUFACTURE OR SALE OF ITEMS WITHOUT WRITTEN PERMISSION. COPYRIGHT © 1980, DIGITAL EQUIPMENT CORPORATION.

| REVISIONS | | |
|-----------|------------|-----|
| CHK | CHANGE NO. | REV |
| | | |

| | | | | | |
|------------------------------------|------------------|----------------------|--------------------------------------|--------------|-------------------|
| digital | DRN. R.C.A. Chua | DATE 25-MAR-88 | ENG. | DATE | TITLE: PROM ARRAY |
| | CHK'D. | DATE 17-FEB-88 17:21 | BOARD LOCATION: ACS | SHEET 1 OF 1 | NUMBER L0005-0-8 |
| FIRST USED ON OPTION/MODEL: 117750 | | | NEXT HIGHER ASSEMBLY: B-DD-L0005-0-0 | | REV. C |

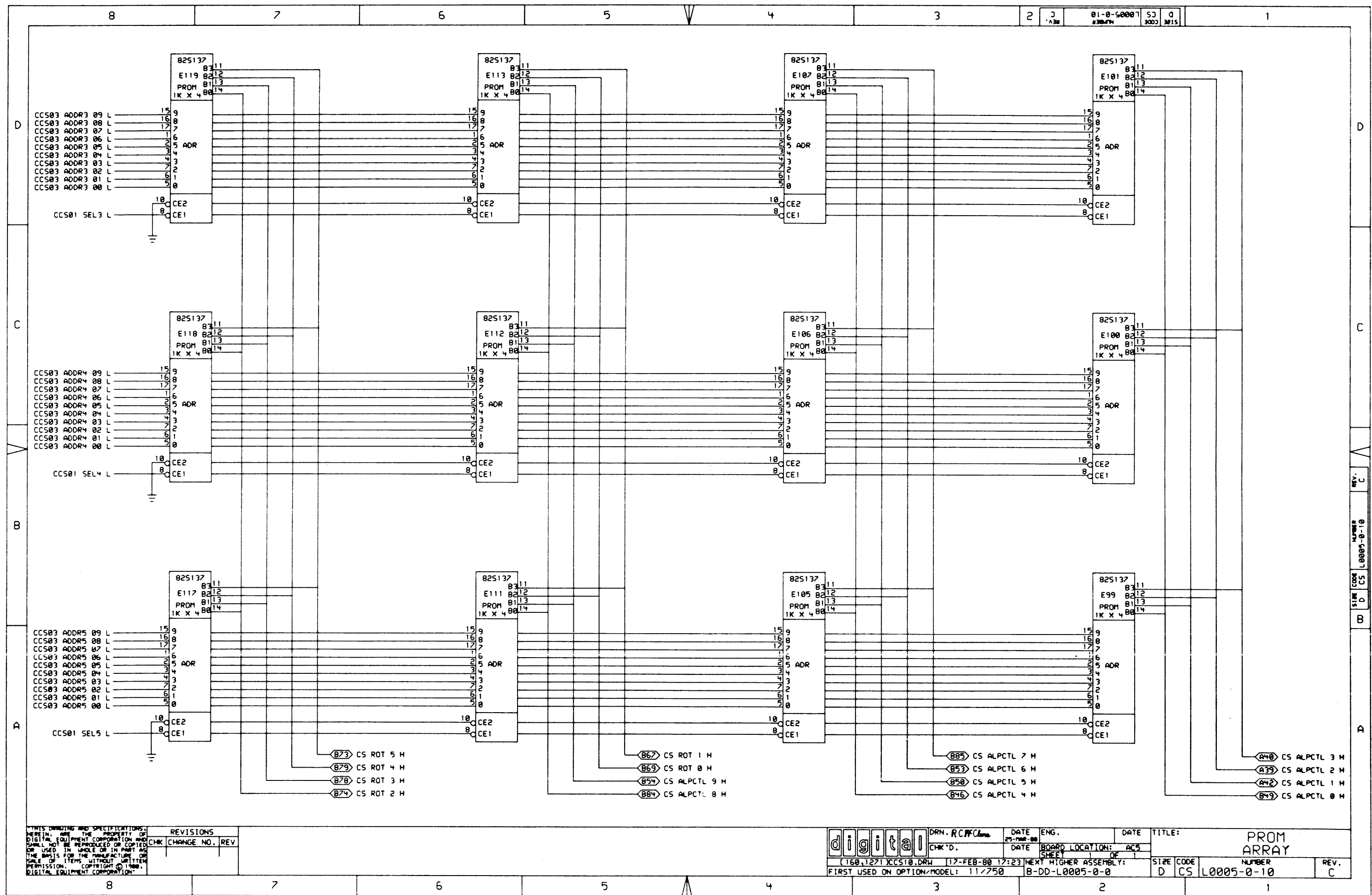


THIS DRAWING AND SPECIFICATIONS ARE THE PROPERTY OF DIGITAL EQUIPMENT CORPORATION AND SHALL NOT BE REPRODUCED OR COPIED OR USED IN WHOLE OR IN PART AS THE BASIS FOR THE MANUFACTURE OR SALE OF ITEMS WITHOUT WRITTEN PERMISSION. COPYRIGHT © 1980. DIGITAL EQUIPMENT CORPORATION

| REVISIONS | | |
|-----------|------------|-----|
| CHK | CHANGE NO. | REV |
| | | |

| | | | | | | | | |
|------------------------------------|------------|-----------|-------|-----------------------|------|------|-----------|------|
| 160,1271 | JCC509.DRW | 17-FEB-80 | 17:22 | NEXT HIGHER ASSEMBLY: | SIZE | CODE | NUMBER | REV. |
| FIRST USED ON OPTION/MODEL: 11/750 | | | | B-DD-L0005-0-0 | D | CS | L0005-0-9 | C |

| | | | | | |
|---------|-------------------|-----------|------|-----------------|------------|
| digital | DRN. R.C.F. Cl... | DATE | ENG. | DATE | TITLE: |
| | CHK'D. | 25-MAR-80 | | | PROM ARRAY |
| | | | | BOARD LOCATION: | AC5 |
| | | | | SHEET | 1 OF 1 |

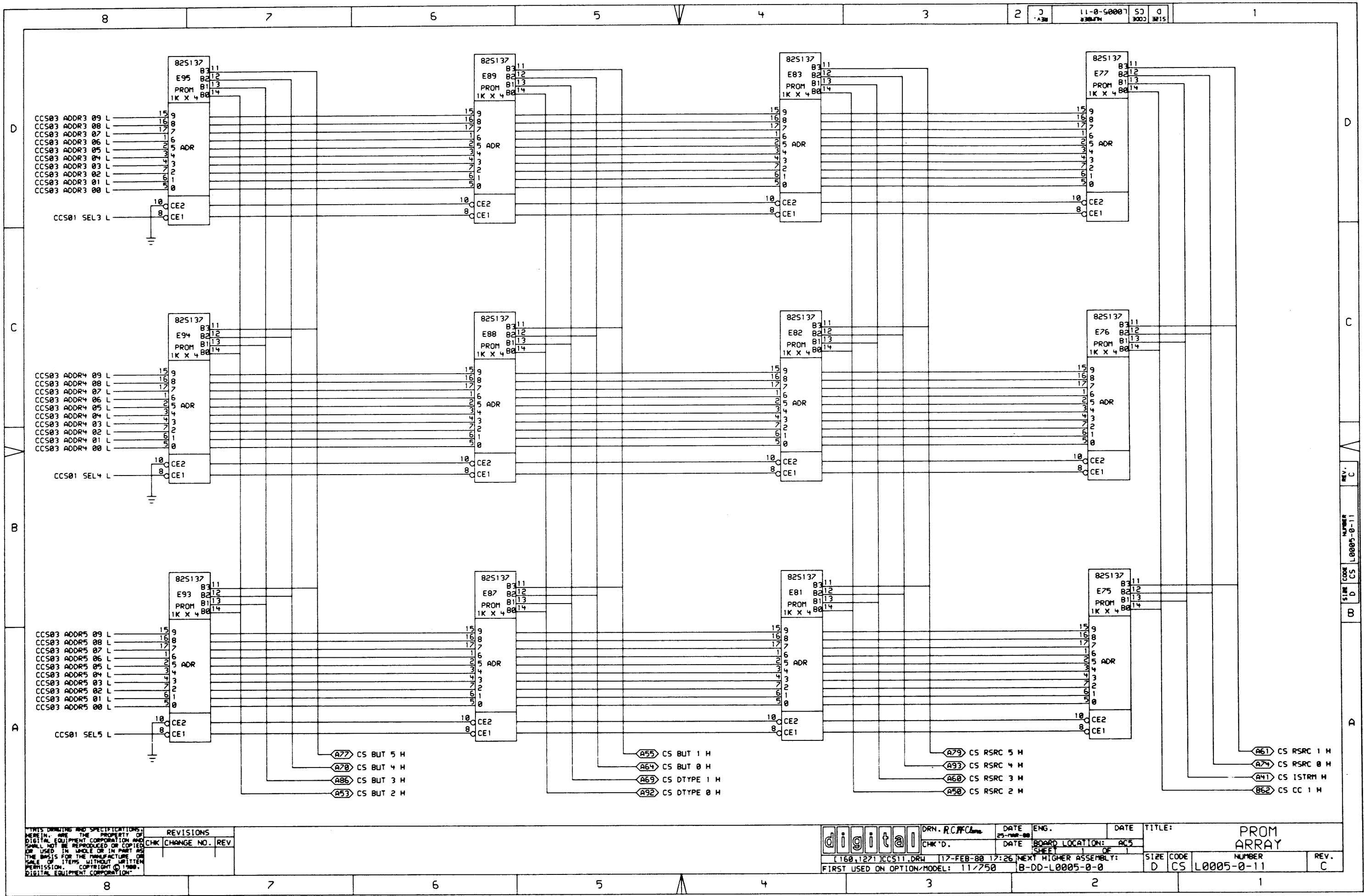


- ⓑ73 CS ROT 5 H
- ⓑ79 CS ROT 4 H
- ⓑ78 CS ROT 3 H
- ⓑ74 CS ROT 2 H
- ⓑ67 CS ROT 1 H
- ⓑ69 CS ROT 0 H
- ⓑ54 CS ALPCTL 9 H
- ⓑ84 CS ALPCTL 8 H
- ⓑ85 CS ALPCTL 7 H
- ⓑ53 CS ALPCTL 6 H
- ⓑ50 CS ALPCTL 5 H
- ⓑ46 CS ALPCTL 4 H
- ⓑ48 CS ALPCTL 3 H
- ⓑ39 CS ALPCTL 2 H
- ⓑ42 CS ALPCTL 1 H
- ⓑ49 CS ALPCTL 0 H

THIS DRAWING AND SPECIFICATIONS HEREIN ARE THE PROPERTY OF DIGITAL EQUIPMENT CORPORATION AND SHALL NOT BE REPRODUCED OR COPIED OR USED IN WHOLE OR IN PART AS THE BASIS FOR THE MANUFACTURE OR SALE OF ITEMS WITHOUT WRITTEN PERMISSION. COPYRIGHT © 1980, DIGITAL EQUIPMENT CORPORATION.

| REVISIONS | |
|-----------|-----------------|
| CHK | CHANGE NO. REV. |
| | |

| | | | | | |
|------------------------------------|---------------|--------------------------------------|---------------------|-----------|------------|
| digital | DRN. R.C.M.C. | DATE | ENG. | DATE | TITLE: |
| | CHK'D. | DATE | BOARD LOCATION: AC5 | | PROM ARRAY |
| FIRST USED ON OPTION/MODEL: 117250 | | NEXT HIGHER ASSEMBLY: B-DD-L0005-0-0 | | SIZE CODE | NUMBER |
| | | | | D CS | L0005-0-10 |
| | | | | | REV. C |

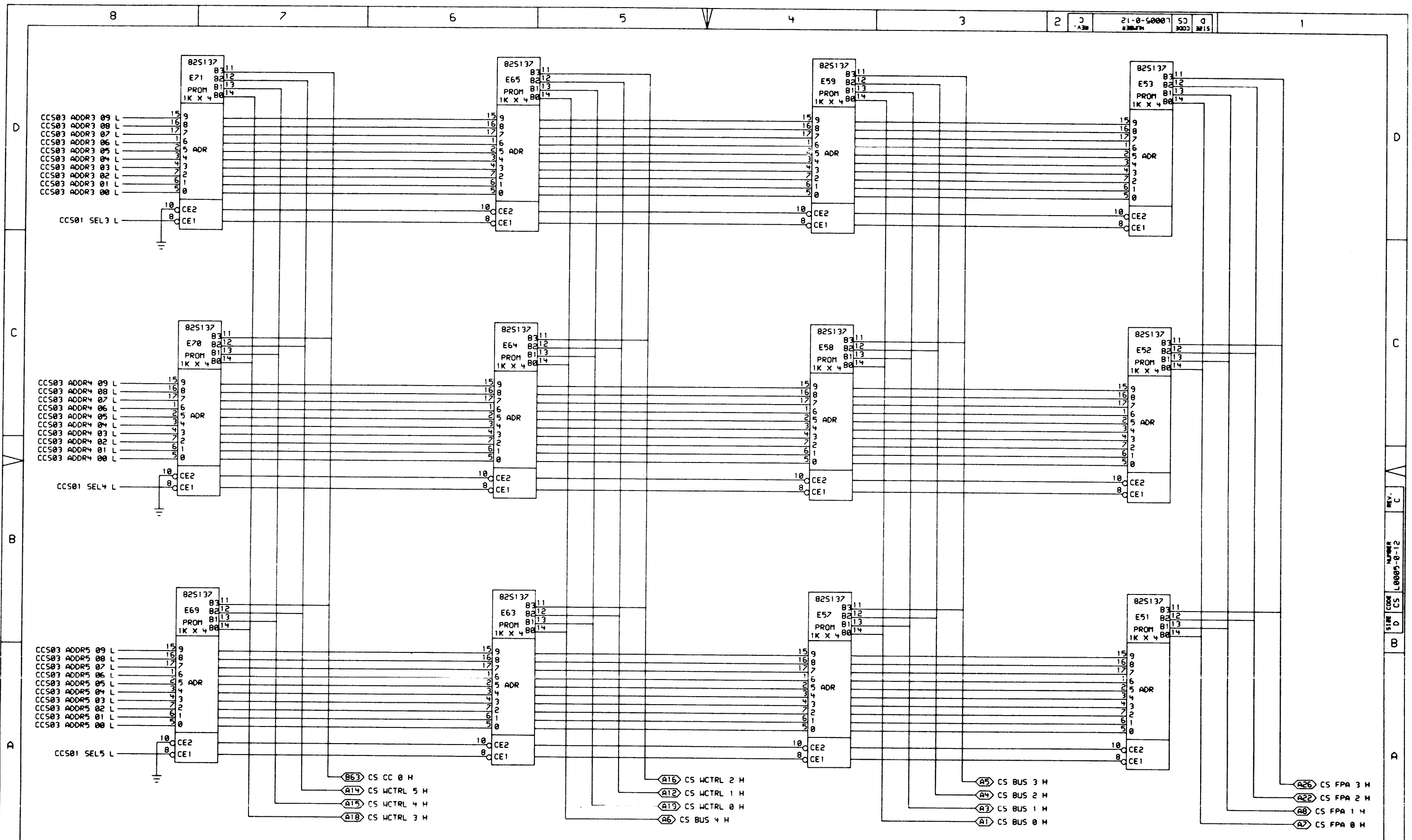


THIS DRAWING AND SPECIFICATIONS HEREIN ARE THE PROPERTY OF DIGITAL EQUIPMENT CORPORATION AND SHALL NOT BE REPRODUCED OR COPIED OR USED IN WHOLE OR IN PART AS THE BASIS FOR THE MANUFACTURE OR SALE OF ITEMS WITHOUT WRITTEN PERMISSION. COPYRIGHT © 1988, DIGITAL EQUIPMENT CORPORATION.

| REVISIONS | | |
|-----------|------------|-----|
| CHK | CHANGE NO. | REV |
| | | |

- (A77) CS BUT 5 H
- (A78) CS BUT 4 H
- (A86) CS BUT 3 H
- (A53) CS BUT 2 H
- (A55) CS BUT 1 H
- (A64) CS BUT 0 H
- (A69) CS DTYPE 1 H
- (A92) CS DTYPE 0 H
- (A79) CS RSRC 5 M
- (A93) CS RSRC 4 M
- (A58) CS RSRC 3 M
- (A50) CS RSRC 2 M
- (A61) CS RSRC 1 H
- (A74) CS RSRC 0 H
- (A41) CS ISTRM H
- (B52) CS CC 1 H

| | | | | | |
|-----------------------------------|---------------|-----------------|-----------------------|-----------|------------|
| digital | DRN. R.C.F.C. | DATE | ENG. | DATE | TITLE: |
| | CHK'D. | 25-MAR-88 | | | PROM ARRAY |
| [160,127] CCS11.DRW | | 17-FEB-88 17:26 | NEXT HIGHER ASSEMBLY: | SIZE CODE | NUMBER |
| FIRST USED ON OPTION/MODEL: 11750 | | B-DD-L0005-0-0 | | D CS | L0005-0-11 |
| | | | | REV. | C |

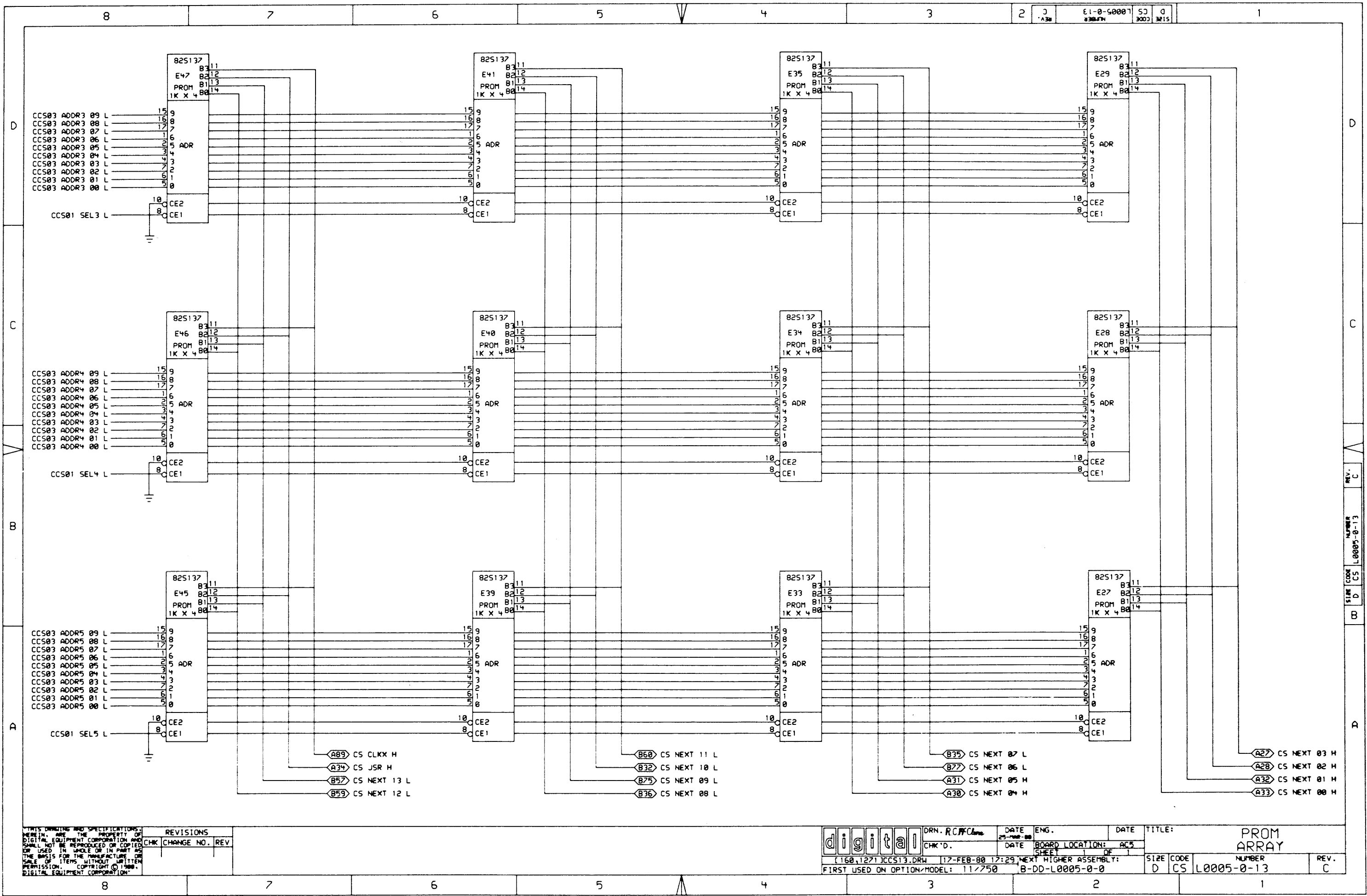


- (B63) CS CC 0 H
- (A14) CS WCTRL 5 H
- (A15) CS WCTRL 4 H
- (A18) CS WCTRL 3 H
- (A16) CS WCTRL 2 H
- (A12) CS WCTRL 1 H
- (A19) CS WCTRL 0 H
- (A6) CS BUS 4 H
- (A5) CS BUS 3 H
- (A4) CS BUS 2 H
- (A3) CS BUS 1 H
- (A1) CS BUS 0 H
- (A26) CS FPA 3 H
- (A22) CS FPA 2 H
- (A8) CS FPA 1 H
- (A7) CS FPA 0 H

THIS DRAWING AND SPECIFICATIONS ARE THE PROPERTY OF DIGITAL EQUIPMENT CORPORATION AND SHALL NOT BE REPRODUCED OR COPIED OR USED IN WHOLE OR IN PART AS THE BASIS FOR THE MANUFACTURE OR SALE OF ITEMS WITHOUT WRITTEN PERMISSION. COPYRIGHT © 1980, DIGITAL EQUIPMENT CORPORATION.

| REVISIONS | |
|-----------|----------------|
| CHK | CHANGE NO. REV |
| | |

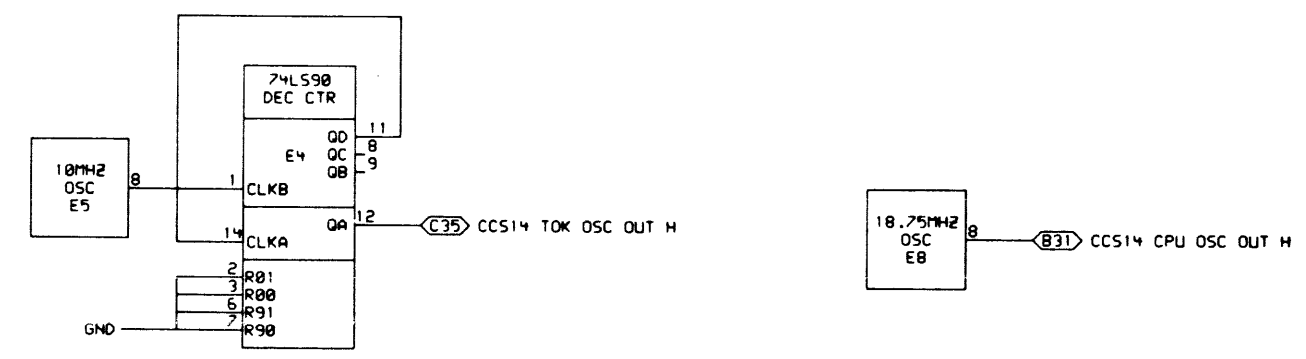
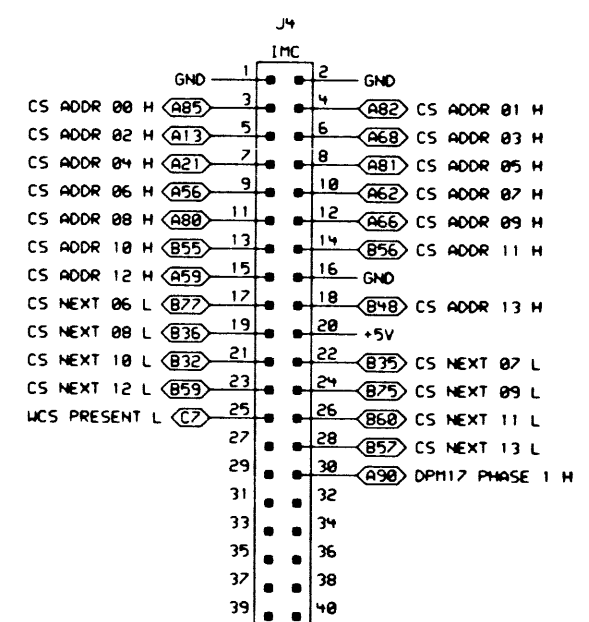
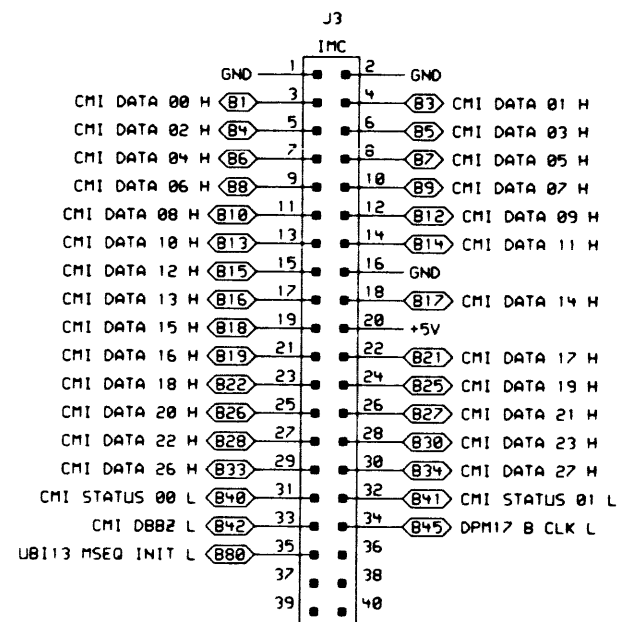
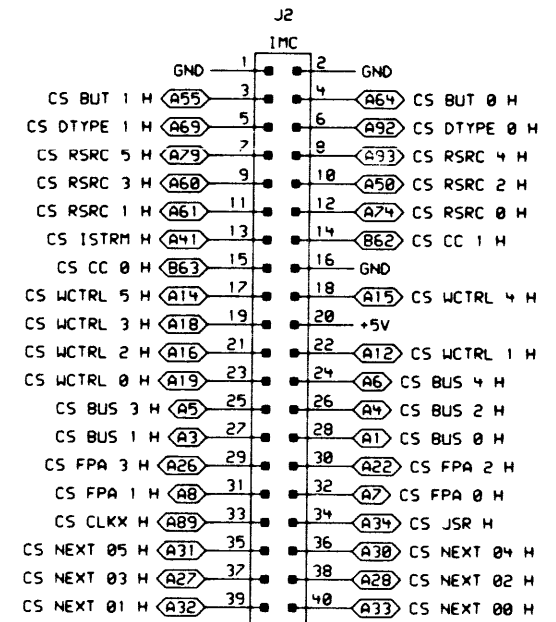
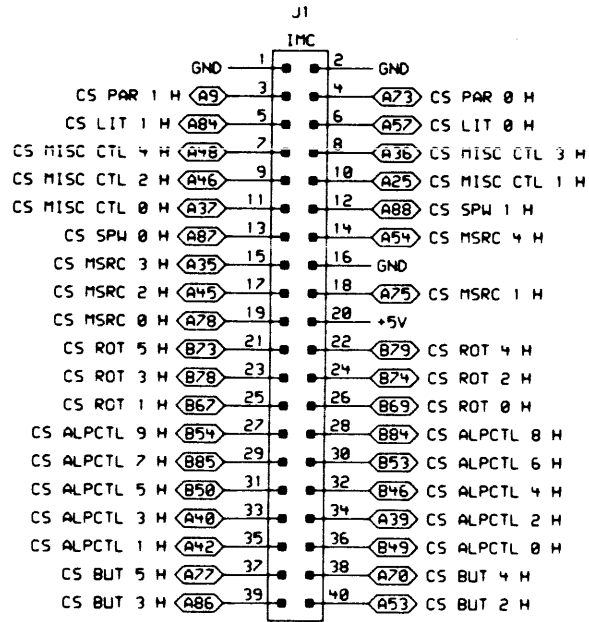
| | | | | | |
|------------------------------------|-------------------|----------------------|--------------------------------------|--------------|-------------------|
| digital | DRN. R.C.M. Clava | DATE 25-MAR-80 | ENG. | DATE | TITLE: PROM ARRAY |
| | CHK'D. | DATE 17-FEB-80 12:27 | BOARD LOCATION: AC5 | SHEET 1 OF 1 | NUMBER L0005-0-12 |
| FIRST USED ON OPTION/MODEL: 11/750 | | | NEXT HIGHER ASSEMBLY: B-DD-L0005-0-0 | | REV. C |



THIS DRAWING AND SPECIFICATIONS HEREIN ARE THE PROPERTY OF DIGITAL EQUIPMENT CORPORATION AND SHALL NOT BE REPRODUCED OR COPIED OR USED IN WHOLE OR IN PART AS THE BASIS FOR THE MANUFACTURE OR SALE OF ITEMS WITHOUT WRITTEN PERMISSION. COPYRIGHT © 1980, DIGITAL EQUIPMENT CORPORATION.

| REVISIONS | | |
|-----------|------------|-----|
| CHK | CHANGE NO. | REV |
| | | |

| | | | | | |
|------------------------------------|----------------------|-----------------|------|------|-------------------|
| digital | DRN. R.C.F. / CHK'D. | DATE 25-MAR-80 | ENG. | DATE | TITLE: PROM ARRAY |
| | [160,1271]CCS13.DRW | 17-FEB-80 17:29 | | | |
| FIRST USED ON OPTION/MODEL: 11/750 | | | | | |
| | | | | | |



THIS DRAWING AND SPECIFICATIONS
 HEREIN ARE THE PROPERTY OF
 DIGITAL EQUIPMENT CORPORATION AND
 SHALL NOT BE REPRODUCED OR COPIED
 OR USED IN WHOLE OR IN PART AS
 THE BASIS FOR THE MANUFACTURE OR
 SALE OF ITEMS WITHOUT WRITTEN
 PERMISSION. COPYRIGHT © 1980,
 DIGITAL EQUIPMENT CORPORATION.

| REVISIONS | |
|-----------|----------------|
| CHK | CHANGE NO. REV |
| | |

digital

DRN. R.C.M. DATE 25-MAR-80 ENG. DATE
 CHK'D. DATE BOARD LOCATION: AC5
 SHEET 1 OF 1

TITLE: WCS CONNECTORS
 SYS OSCILLATORS

(160,1271)CCS14.DRW 17-FEB-80 17:32 NEXT HIGHER ASSEMBLY:
 FIRST USED ON OPTION/MODEL: 11/750 B-DD-L0005-0-0 SIZE CODE NUMBER REV.
 D CS L0005-0-14 C

| SIGNAL NAME | PAGE NUMBER(S) | SIGNAL NAME | PAGE NUMBER(S) | SIGNAL NAME | PAGE NUMBER(S) |
|------------------|-------------------|---------------------|-------------------|-----------------|----------------|
| CCS01 +3V NOM H | 01,03,02 | CCS03 ADDR4 03 L | 03,13,12,11,10,09 | CS ADDR 02 H | 03,02,14 |
| CCS01 SEL0 L | 01,08,07,06,05,04 | CCS03 ADDR4 04 L | 03,13,12,11,10,09 | CS ADDR 03 H | 03,02,14 |
| CCS01 SEL1 L | 01,08,07,06,05,04 | CCS03 ADDR4 05 L | 03,13,12,11,10,09 | CS ADDR 04 H | 03,02,14 |
| CCS01 SEL2 L | 01,08,07,06,05,04 | CCS03 ADDR4 06 L | 03,13,12,11,10,09 | CS ADDR 05 H | 03,02,14 |
| CCS01 SEL3 L | 01,13,12,11,10,09 | CCS03 ADDR4 07 L | 03,13,12,11,10,09 | CS ADDR 06 H | 01,03,02,14 |
| CCS01 SEL4 L | 01,13,12,11,10,09 | CCS03 ADDR4 08 L | 03,13,12,11,10,09 | CS ADDR 07 H | 01,03,02,14 |
| CCS01 SEL5 L | 01,13,12,11,10,09 | CCS03 ADDR4 09 L | 03,13,12,11,10,09 | CS ADDR 08 H | 01,03,02,14 |
| CCS02 ADDR0 00 L | 02,08,07,06,05,04 | CCS03 ADDR5 00 L | 03,13,12,11,10,09 | CS ADDR 09 H | 01,03,02,14 |
| CCS02 ADDR0 01 L | 02,08,07,06,05,04 | CCS03 ADDR5 01 L | 03,13,12,11,10,09 | CS ADDR 10 H | 01,14 |
| CCS02 ADDR0 02 L | 02,08,07,06,05,04 | CCS03 ADDR5 02 L | 03,13,12,11,10,09 | CS ADDR 11 H | 01,14 |
| CCS02 ADDR0 03 L | 02,08,07,06,05,04 | CCS03 ADDR5 03 L | 03,13,12,11,10,09 | CS ADDR 12 H | 01,14 |
| CCS02 ADDR0 04 L | 02,08,07,06,05,04 | CCS03 ADDR5 04 L | 03,13,12,11,10,09 | CS ADDR 13 H | 01,14 |
| CCS02 ADDR0 05 L | 02,08,07,06,05,04 | CCS03 ADDR5 05 L | 03,13,12,11,10,09 | CS ALPCTL 0 H | 10,05,14 |
| CCS02 ADDR0 06 L | 02,08,07,06,05,04 | CCS03 ADDR5 06 L | 03,13,12,11,10,09 | CS ALPCTL 1 H | 10,05,14 |
| CCS02 ADDR0 07 L | 02,08,07,06,05,04 | CCS03 ADDR5 07 L | 03,13,12,11,10,09 | CS ALPCTL 2 H | 10,05,14 |
| CCS02 ADDR0 08 L | 02,08,07,06,05,04 | CCS03 ADDR5 08 L | 03,13,12,11,10,09 | CS ALPCTL 3 H | 10,05,14 |
| CCS02 ADDR0 09 L | 02,08,07,06,05,04 | CCS03 ADDR5 09 L | 03,13,12,11,10,09 | CS ALPCTL 4 H | 10,05,14 |
| CCS02 ADDR1 00 L | 02,08,07,06,05,04 | CCS14 CPU OSC OUT H | 14 | CS ALPCTL 5 H | 10,05,14 |
| CCS02 ADDR1 01 L | 02,08,07,06,05,04 | CCS14 TOK OSC OUT H | 14 | CS ALPCTL 6 H | 10,05,14 |
| CCS02 ADDR1 02 L | 02,08,07,06,05,04 | CMI DATA 00 H | 14 | CS ALPCTL 7 H | 10,05,14 |
| CCS02 ADDR1 03 L | 02,08,07,06,05,04 | CMI DATA 01 H | 14 | CS ALPCTL 8 H | 10,05,14 |
| CCS02 ADDR1 04 L | 02,08,07,06,05,04 | CMI DATA 02 H | 14 | CS ALPCTL 9 H | 10,05,14 |
| CCS02 ADDR1 05 L | 02,08,07,06,05,04 | CMI DATA 03 H | 14 | CS BUS 0 H | 12,07,14 |
| CCS02 ADDR1 06 L | 02,08,07,06,05,04 | CMI DATA 04 H | 14 | CS BUS 1 H | 12,07,14 |
| CCS02 ADDR1 07 L | 02,08,07,06,05,04 | CMI DATA 05 H | 14 | CS BUS 2 H | 12,07,14 |
| CCS02 ADDR1 08 L | 02,08,07,06,05,04 | CMI DATA 06 H | 14 | CS BUS 3 H | 12,07,14 |
| CCS02 ADDR1 09 L | 02,08,07,06,05,04 | CMI DATA 07 H | 14 | CS BUS 4 H | 12,07,14 |
| CCS02 ADDR2 00 L | 02,08,07,06,05,04 | CMI DATA 08 H | 14 | CS BUT 0 H | 11,06,14 |
| CCS02 ADDR2 01 L | 02,08,07,06,05,04 | CMI DATA 09 H | 14 | CS BUT 1 H | 11,06,14 |
| CCS02 ADDR2 02 L | 02,08,07,06,05,04 | CMI DATA 10 H | 14 | CS BUT 2 H | 11,06,14 |
| CCS02 ADDR2 03 L | 02,08,07,06,05,04 | CMI DATA 11 H | 14 | CS BUT 3 H | 11,06,14 |
| CCS02 ADDR2 04 L | 02,08,07,06,05,04 | CMI DATA 12 H | 14 | CS BUT 4 H | 11,06,14 |
| CCS02 ADDR2 05 L | 02,08,07,06,05,04 | CMI DATA 13 H | 14 | CS BUT 5 H | 11,06,14 |
| CCS02 ADDR2 06 L | 02,08,07,06,05,04 | CMI DATA 14 H | 14 | CS CC 0 H | 12,07,14 |
| CCS02 ADDR2 07 L | 02,08,07,06,05,04 | CMI DATA 15 H | 14 | CS CC 1 H | 11,06,14 |
| CCS02 ADDR2 08 L | 02,08,07,06,05,04 | CMI DATA 16 H | 14 | CS CLKX H | 13,08,14 |
| CCS02 ADDR2 09 L | 02,08,07,06,05,04 | CMI DATA 17 H | 14 | CS DTYPE 0 H | 11,06,14 |
| CCS03 ADDR3 00 L | 03,13,12,11,10,09 | CMI DATA 18 H | 14 | CS DTYPE 1 H | 11,06,14 |
| CCS03 ADDR3 01 L | 03,13,12,11,10,09 | CMI DATA 19 H | 14 | CS FPA 0 H | 12,07,14 |
| CCS03 ADDR3 02 L | 03,13,12,11,10,09 | CMI DATA 20 H | 14 | CS FPA 1 H | 12,07,14 |
| CCS03 ADDR3 03 L | 03,13,12,11,10,09 | CMI DATA 21 H | 14 | CS FPA 2 H | 12,07,14 |
| CCS03 ADDR3 04 L | 03,13,12,11,10,09 | CMI DATA 22 H | 14 | CS FPA 3 H | 12,07,14 |
| CCS03 ADDR3 05 L | 03,13,12,11,10,09 | CMI DATA 23 H | 14 | CS HNEXT PAR H | 01 |
| CCS03 ADDR3 06 L | 03,13,12,11,10,09 | CMI DATA 24 H | 14 | CS ISTRM H | 11,06,14 |
| CCS03 ADDR3 07 L | 03,13,12,11,10,09 | CMI DATA 25 H | 14 | CS JSR H | 13,08,14 |
| CCS03 ADDR3 08 L | 03,13,12,11,10,09 | CMI DATA 26 H | 14 | CS LIT 0 H | 09,04,14 |
| CCS03 ADDR3 09 L | 03,13,12,11,10,09 | CMI DATA 27 H | 14 | CS LIT 1 H | 09,04,14 |
| CCS03 ADDR4 00 L | 03,13,12,11,10,09 | CMI DBBZ L | 14 | CS MISC CTL 0 H | 09,04,14 |
| CCS03 ADDR4 01 L | 03,13,12,11,10,09 | CMI STATUS 00 L | 14 | CS MISC CTL 1 H | 09,04,14 |
| CCS03 ADDR4 02 L | 03,13,12,11,10,09 | CMI STATUS 01 L | 14 | CS MISC CTL 2 H | 09,04,14 |
| | | CS ADDR 00 H | 03,02,14 | | |
| | | CS ADDR 01 H | 03,02,14 | | |

NOTES:
1. THIS PAGE LISTS THE SCHEMATIC PAGE NUMBER(S) WHERE A SIGNAL NAME IS REFERENCED.

| REVISIONS | CHK | CHANGE NO. | REV |
|-----------|-----|------------|-----|
| | | | |

| | | | | | |
|---|------------------|---|----------------------------|----------------------------|---|
| digital | DRN. <i>DEMO</i> | DATE <i>23-08-88</i> | ENG. | DATE | TITLE: CCS FORWARD REFERENCE |
| | CHK'D. | DATE | BOARD LOCATION: AC5 | SHEET 1 OF 1 | SIZE D CODE CS NUMBER L0005-0-15 REV. C |
| FIRST USED ON OPTION/MODEL: 11/750 | | NEXT HIGHER ASSEMBLY: B-DD-L0005-0-0 | | | |

SIGNAL NAME PAGE NUMBER(S)

CS MISC CTL 3 H 09,04,14
 CS MISC CTL 4 H 09,04,14
 CS MSRC 0 H 09,04,14
 CS MSRC 1 H 09,04,14
 CS MSRC 2 H 09,04,14
 CS MSRC 3 H 09,04,14
 CS MSRC 4 H 09,04,14
 CS NEXT 00 H 13,08,14
 CS NEXT 01 H 13,08,14
 CS NEXT 02 H 13,08,14

CS NEXT 03 H 13,08,14
 CS NEXT 04 H 13,08,14
 CS NEXT 05 H 13,08,14
 CS NEXT 06 L 01,13,08,14
 CS NEXT 07 L 01,13,08,14
 CS NEXT 08 L 01,13,08,14
 CS NEXT 09 L 01,13,08,14
 CS NEXT 10 L 01,13,08,14
 CS NEXT 11 L 01,13,08,14
 CS NEXT 12 L 01,13,08,14

CS NEXT 13 L 01,13,08,14
 CS PAR 0 H 09,04,14
 CS PAR 1 H 09,04,14
 CS ROT 0 H 10,05,14
 CS ROT 1 H 10,05,14
 CS ROT 2 H 10,05,14
 CS ROT 3 H 10,05,14
 CS ROT 4 H 10,05,14
 CS ROT 5 H 10,05,14
 CS RSRC 0 H 11,06,14

CS RSRC 1 H 11,06,14
 CS RSRC 2 H 11,06,14
 CS RSRC 3 H 11,06,14
 CS RSRC 4 H 11,06,14
 CS RSRC 5 H 11,06,14
 CS SPW 0 H 09,04,14
 CS SPW 1 H 09,04,14
 CS WCTRL 0 H 12,07,14
 CS WCTRL 1 H 12,07,14
 CS WCTRL 2 H 12,07,14

CS WCTRL 3 H 12,07,14
 CS WCTRL 4 H 12,07,14
 CS WCTRL 5 H 12,07,14
 DPM14 DISABLE HI NEXT H 01
 DPM17 B CLK L 14
 DPM17 M CLK L 01
 DPM17 PHASE 1 H 14
 UB113 MSEQ INIT L 14
 WCS PRESENT L 14

SIGNAL NAME PAGE NUMBER(S)

SIGNAL NAME PAGE NUMBER(S)

NOTES:
 1. THIS PAGE LISTS THE SCHEMATIC PAGE NUMBER(S) WHERE A SIGNAL NAME IS REFERENCED.

THIS DRAWING AND SPECIFICATIONS
 HEREIN ARE THE PROPERTY OF
 DIGITAL EQUIPMENT CORPORATION AND
 SHALL NOT BE REPRODUCED OR COPIED
 OR USED IN WHOLE OR IN PART AS
 THE BASIS FOR THE MANUFACTURE OR
 SALE OF ITEMS WITHOUT WRITTEN
 PERMISSION. COPYRIGHT © 1988
 DIGITAL EQUIPMENT CORPORATION.

| REVISIONS | | |
|-----------|------------|-----|
| CHK | CHANGE NO. | REV |
| | | |

| | | | | | |
|------------------------------------|---------|-----------------|-----------------------|-----------|-------------------|
| digital | DRN. BY | DATE | ENG. | DATE | TITLE: |
| | CHK'D. | DATE | BOARD LOCATION: | AC5 | FORWARD REFERENCE |
| [160,1271]CCS16.DRW | | 17-FEB-88 12:36 | NEXT HIGHER ASSEMBLY: | SIZE CODE | NUMBER |
| FIRST USED ON OPTION/MODEL: 11/750 | | B-DD-L0005-0-0 | D | CS | L0005-0-16 |
| | | | | | REV. C |

| DRAWING NO. | NO. OF SHTS. | PART NO. | DESCRIPTION | REVISIONS | |
|------------------|--------------|----------|---------------------------------|-----------|---|
| | | | | A | B |
| | | M9313 | MODULE REVISION | A | B |
| B-DD-M9313-0 | 1 | | UET DRAWING DIRECTORY | A | B |
| D-UA-M9313-0-0 | 3 | | UET UNIT ASSEMBLY | A | A |
| K-PL-M9313-0-DBP | 2 | | UET PARTS LIST | A | B |
| D-MD-5013847-0-0 | 5 | | UET DRILL & ETCH DRAWINGS | A | A |
| | | 5013847 | ETCHED BOARD | B | B |
| K-PC-M9313-0-DBC | | | UET P C DESIGN DATA BASE CALDEC | B | B |
| K-CS-M9313-0-DBS | | | UET DESIGN DATA BASE SUDS | A | A |
| D-CS-M9313-0-1 | 1 | * | DATA PATH (7:0) | A | A |
| D-CS-M9313-0-2 | 1 | * | DATA PATH (15:8) | A | A |
| D-CS-M9313-0-3 | 1 | * | ADDRESS SELECTION | A | A |
| D-CS-M9313-0-4 | 1 | * | UNIBUS CONTROL | A | A |
| D-CS-M9313-0-5 | 1 | * | INTERRUPT CONTROL | A | A |
| D-CS-M9313-0-6 | 1 | * | UNIBUS TERMINATION | A | A |
| D-CS-M9313-0-7 | 1 | * | FORWARD REFERENCE | A | A |
| D-CS-M9313-0-8 | 1 | * | FORWARD REFERENCE | A | A |

NOTES:

*CONTROL SOURCE IS THE SUDS DATA BASE
NO CONTROLLED PAPER ORIGINALS EXIST.

| REVISIONS | | REV. |
|-----------|---------|------|
| DATE | CHG NO. | |
| | TW001 | B |

"THIS DRAWING AND SPECIFICATIONS, HEREIN, ARE THE PROPERTY OF DIGITAL EQUIPMENT CORPORATION AND SHALL NOT BE REPRODUCED OR COPIED OR USED IN WHOLE OR IN PART AS THE BASIS FOR THE MANUFACTURE OR SALE OF ITEMS WITHOUT WRITTEN PERMISSION.

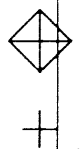
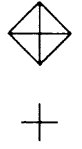
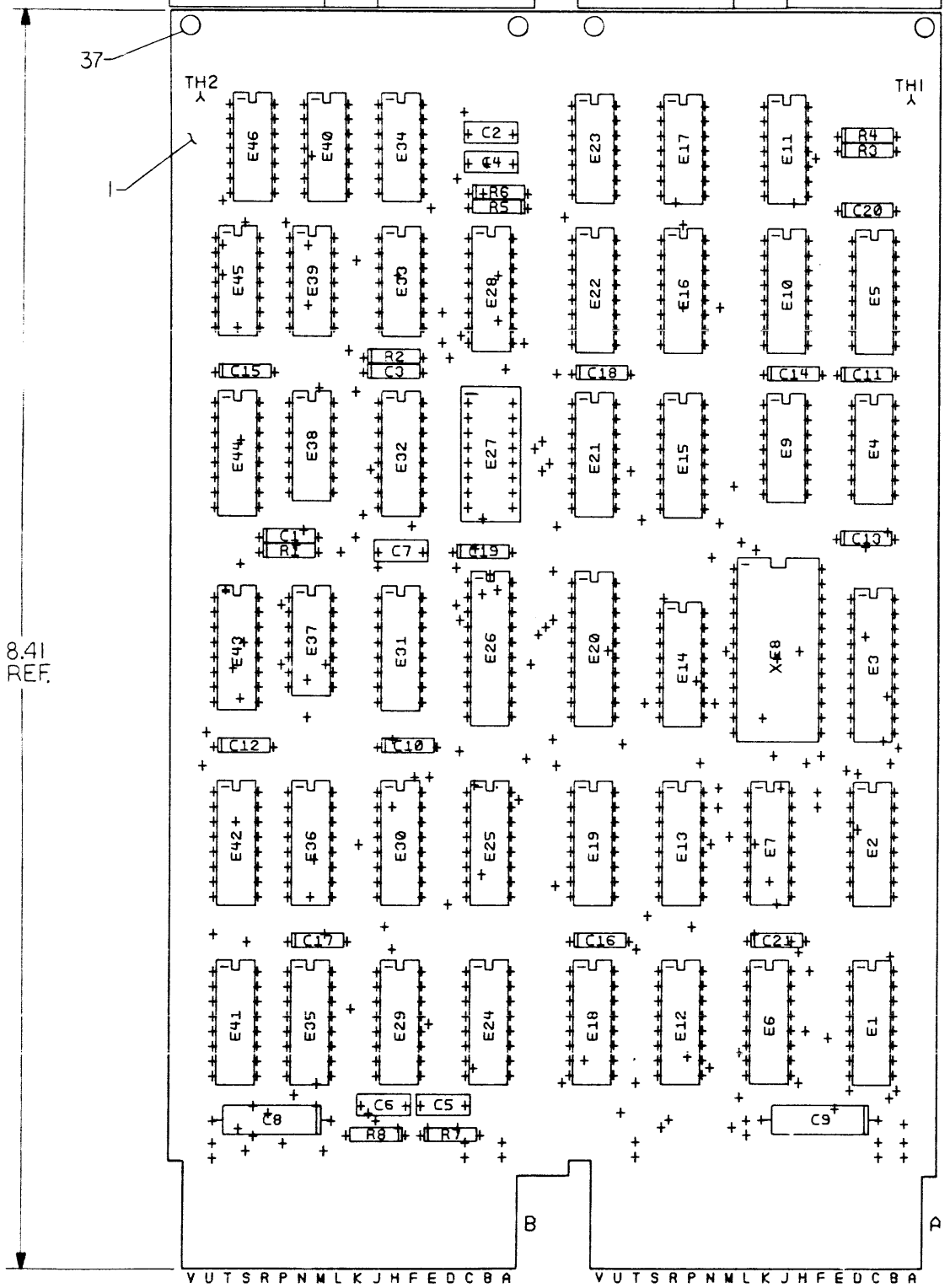
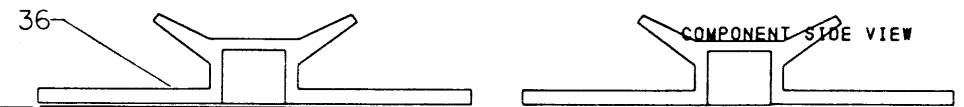
COPYRIGHT© 1981 DIGITAL EQUIPMENT CORPORATION



| | |
|----------------------|--------------------|
| USED ON OPTION/MODEL | DRN. M. FUNARO |
| 11/750 | CHK'D J. CASEY |
| | ENG. R. ARMSTRONG |
| | PROD. J. CONSIDINE |

| | | | |
|--------------|------|---------|------|
| TITLE | | | |
| UET | | | |
| SIZE | CODE | NUMBER | REV. |
| B | DD | M9313-0 | B |
| SHEET 1 OF 1 | | | |

THIS DRAWING AND SPECIFICATIONS, UNLESS AND THE PROPERTY OF ASSITA COMPUTER CORPORATION AND SHALL NOT BE REPRODUCED OR COPIED IN WHOLE OR IN PART BY THE BASIS FOR THE SUBMITTING IN SALE OF IT ORS WITHOUT WRITTEN PERMISSION. ASSITA COMPUTER CORPORATION ©1979



NOTES:

| | | | |
|--------|-----------|------|-------|
| STEP E | + Y AXIS | STEP | TIMES |
| REPEAT | -> X AXIS | STEP | TIMES |

| | | |
|-----|-----------|-----|
| CHG | CHANGE NO | REV |
| | | |
| | | |
| | | |

| | |
|-----------|---|
| ETCH REV. | B |
|-----------|---|

| | | | |
|--------------------------------|-----------|-----------|---------|
| SIGNATURES | | DATE | digital |
| DRN <i>[Signature]</i> | | 7-27-79 | |
| CHK'D. E.T. GERRY | | 7-31-79 | |
| MECH. ENG. <i>[Signature]</i> | | 9-21-80 | |
| PROJ. ENG. <i>[Signature]</i> | | 3-21-80 | |
| PROD. <i>[Signature]</i> | | 3-20-80 | TITLE |
| SCALE 2:1 | | | UET |
| SHT. 1 OF 3 | SIZE CODE | NUMBER | REV |
| NEXT HIGHER ASSY. B-DD-M9313-0 | 0 UA | M9313-0-0 | A |

TW 1 MS#170124B

8

7

6

5

4

3

D U A M 9 3 1 3 - 0 - 0 2

1

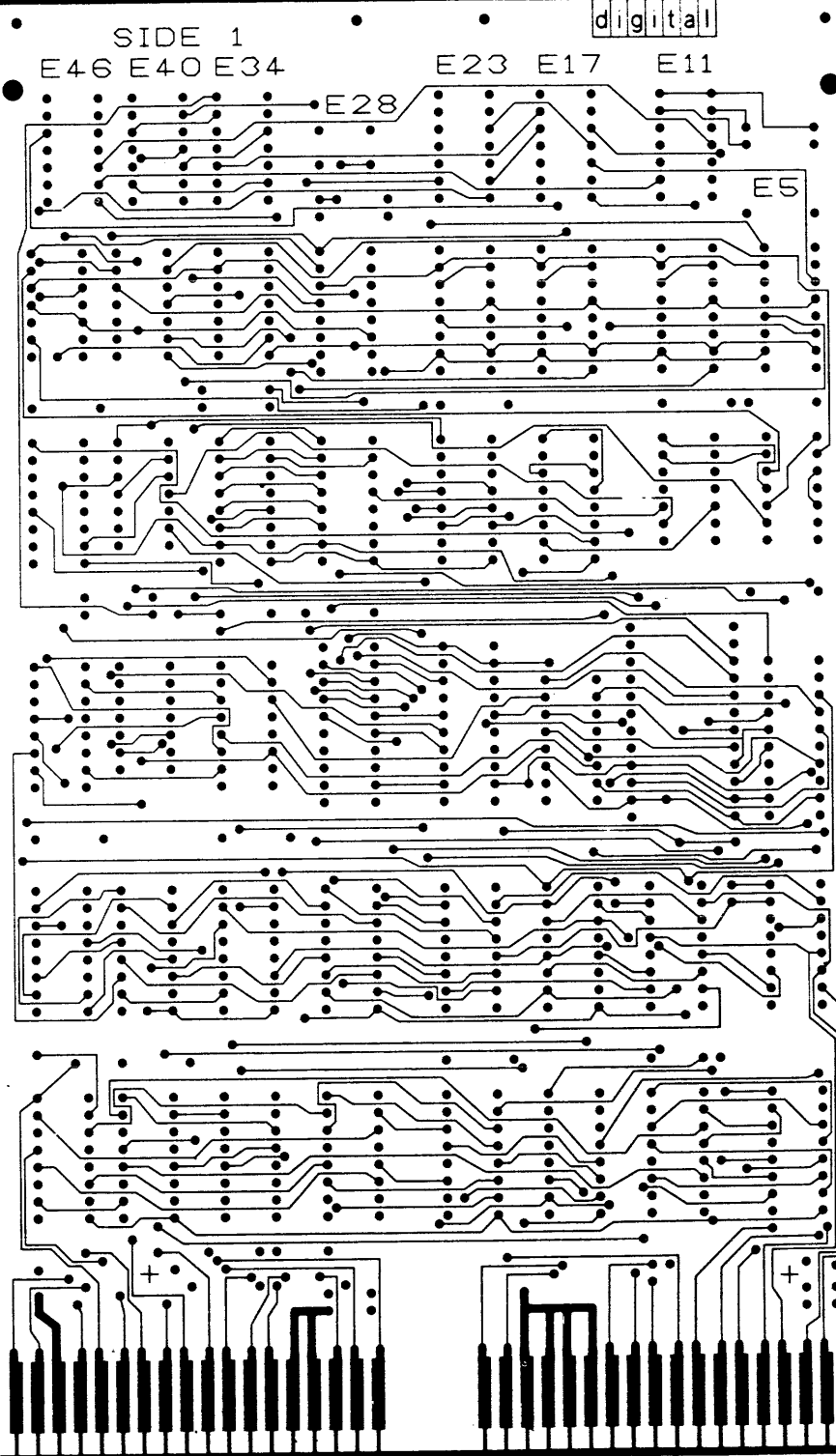
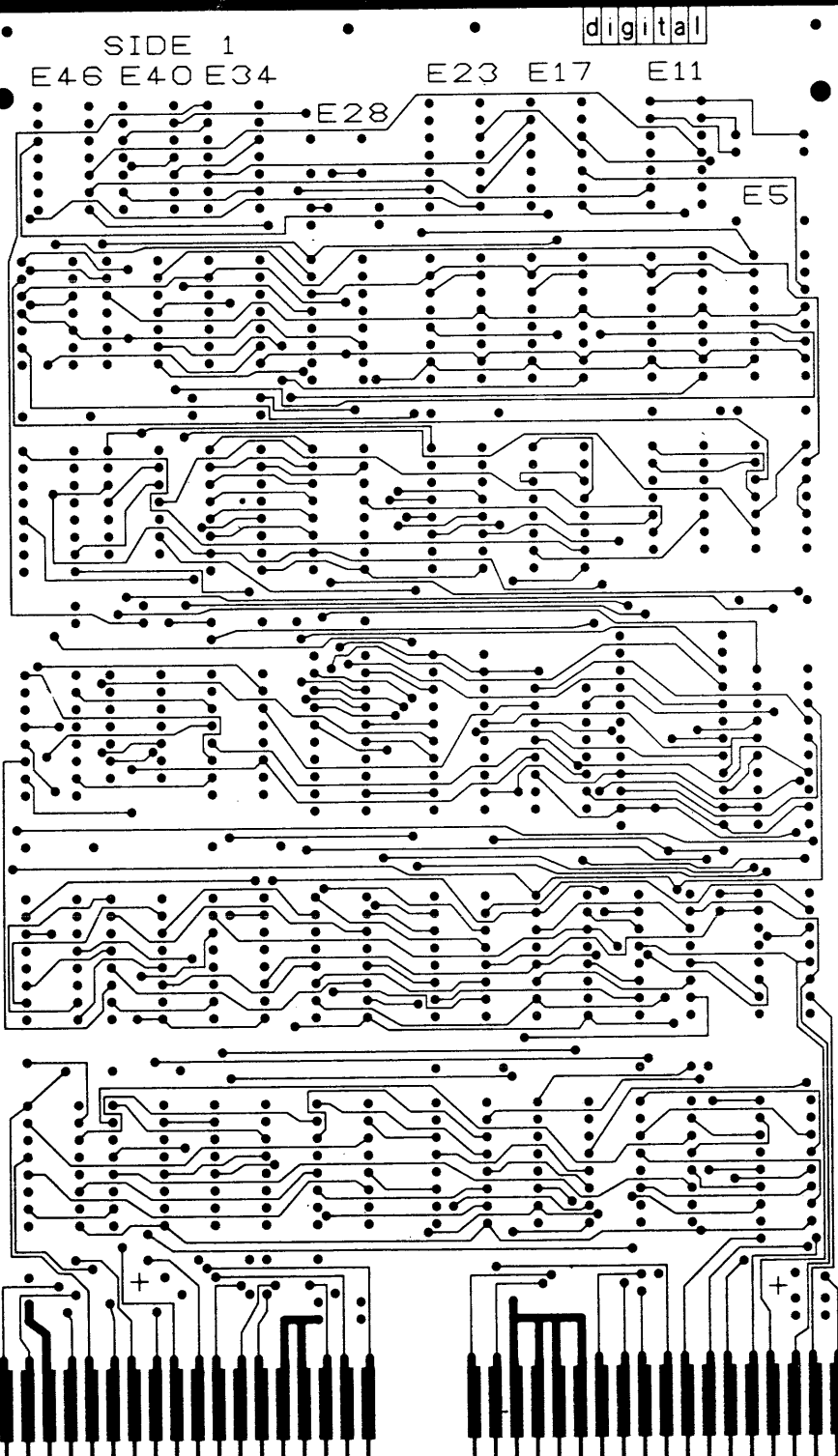
THIS DRAWING AND SPECIFICATIONS HEREIN ARE THE PROPERTY OF DIGITAL EQUIPMENT CORPORATION AND SHALL NOT BE REPRODUCED OR USED IN WHOLE OR IN PART AS THE BASIS FOR THE MANUFACTURE OR SALE OF ITEMS WITHOUT WRITTEN PERMISSION OF DIGITAL EQUIPMENT CORPORATION.

5013847B M9313

5013847B M9313



LAYER 1



D
C
B
A

D
C
B
A

| REVISIONS | | |
|-----------|-----------|-----|
| CHK | CHANGE NO | REV |
| | | |

| | | | | | | | |
|-------|-------|-----------|-------------------------|--------|-------------------|------|----|
| TITLE | UET | SIZE CODE | D U A M 9 3 1 3 - 0 - 0 | NUMBER | M 9 3 1 3 - 0 - 0 | REV. | A |
| SCALE | 2 - 1 | SHEET | 2 | OF | 3 | DIST | rw |

8

7

6

5

4

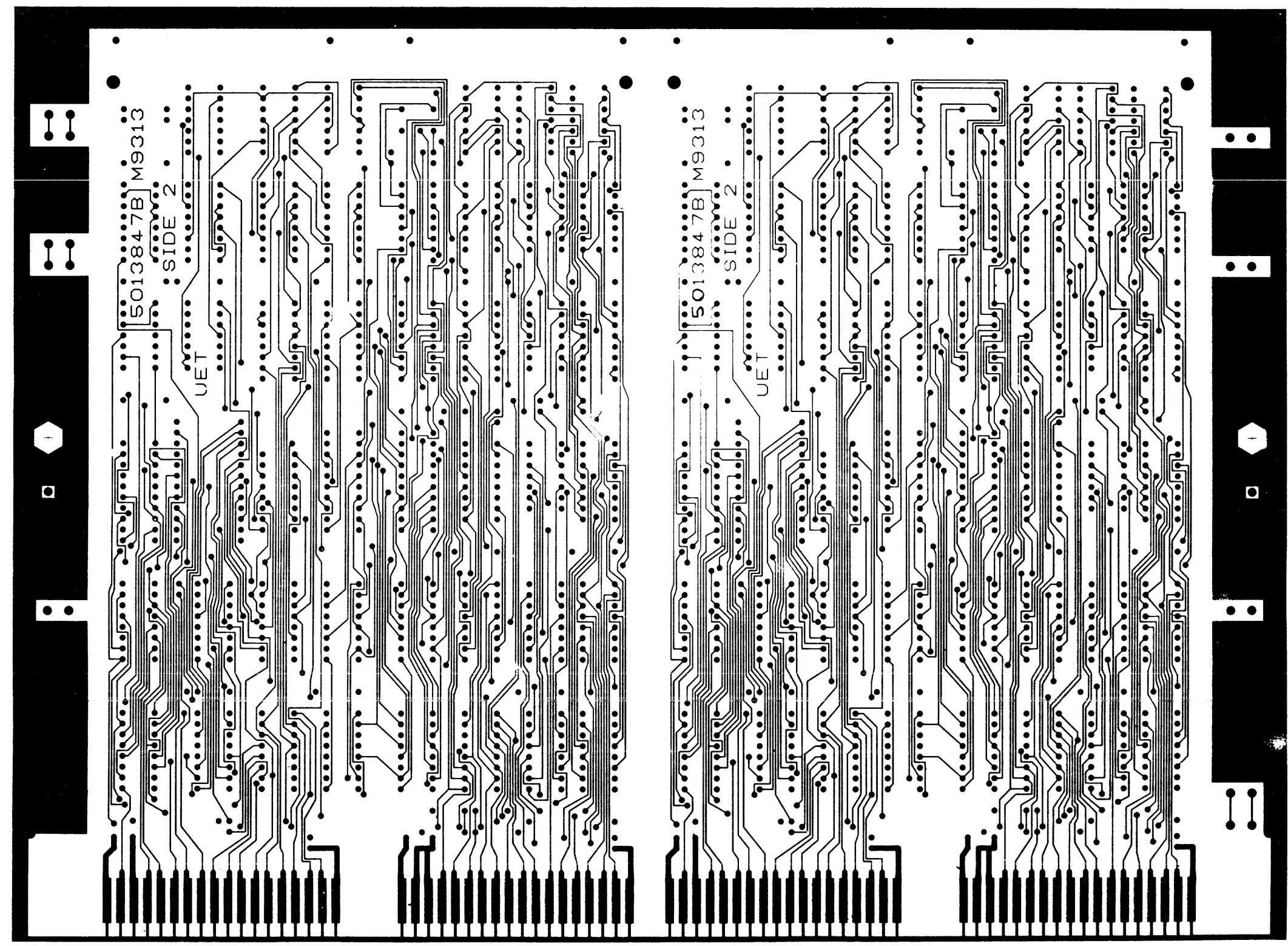
3

2

1

THIS DRAWING AND SPECIFICATIONS HEREIN ARE THE PROPERTY OF DIGITAL EQUIPMENT CORPORATION AND SHALL NOT BE REPRODUCED OR COPIED OR USED IN WHOLE OR IN PART AS THE BASIS FOR THE MANUFACTURE OR SALE OF ITEMS WITHOUT WRITTEN PERMISSION. COPYRIGHT © DIGITAL EQUIPMENT CORPORATION.

AYERA



D
C
B
A

D
C
B
A

| REVISIONS | | |
|-----------|-----------|-----|
| CHK | CHANGE NO | REV |
| | | |

| | | | | |
|-------|-------|-----------|--------|---------------------|
| TITLE | UET | SIZE CODE | NUMBER | REV |
| SCALE | 2 - 1 | SHEET | 3 OF 3 | DUA M9313 - 0 - 0 A |
| DIST. | | | | |

| LINE ITEM | DOCUMENT NUMBER | PART NUMBER | DESCRIPTION | QTY PER VARIATION | REFERENCE DESIGNATOR |
|-----------|-----------------|-------------|----------------------------------|-------------------|--|
| 10 | 10 | 5013947-00 | VET | 1 | |
| 10 | 10 | 1215006-06 | SKT, IC 24PIN DIP TIN PLATE | 1 | XE8 |
| 10 | 10 | 1300005-04 | R NETWORK 15-470 5.0 % 16PIN | 1 | E27 |
| 10 | 10 | 1300202-00 | 47.0 .25 W 5.0 % CC | 2 | R1, R2 |
| 10 | 10 | 1300229-00 | 100.0 .25 W 5.0 % CC | 2 | R3, R4 |
| 10 | 10 | 1312628-00 | R NETWORK 14-176.5 14-375 16PIN | 2 | E2, E42 |
| 10 | 10 | 1312628-01 | R NETWORK 14-176.5 14-375 16PIN | 2 | E12, E29 |
| 10 | 10 | 1909704-00 | DEC 314A NOR GATE-SINGLE 7IN | 1 | E37 |
| 10 | 10 | 1909705-00 | DEC 8881 NAND GATE-QUAD 2IN 0 | 1 | E9 |
| 10 | 10 | 1910436-00 | DEC 74123 ONE SHOT-DUAL, RETRIG | 1 | E28 |
| 10 | 10 | 1911469-00 | DEC 8640 RECEIVER, BUS, QUAD, U | 1 | E4 |
| 10 | 10 | 1911579-00 | 8641 TRANSCEIVER, BUS, QUA | 10 | E1, E7, E18, E19, E30, E31, E35, E36, E41, E44 |
| 13 | 13 | 1911983-00 | 745133 NAND GATE-POSITIVE 1 | 1 | E43 |
| 13 | 13 | 1912799-00 | LS00 NAND-GATE-QUAD 2IN, P | 1 | E40 |
| 13 | 13 | 1912803-00 | 74LS04 INVERTER GATE, HEX | 2 | E17, E39 |
| 13 | 13 | 1910535-00 | 74S05 INVERTER GATE-HEX 1 | 1 | E33 |
| 13 | 13 | 1912805-00 | LS08 AND GATE-QUAD 2IN, PO | 1 | E46 |
| 13 | 13 | 1912808-00 | LS11 AND GATE-TRIPLE 3IN | 1 | E34 |
| 13 | 13 | 1912810-00 | LS20 NAND GATE-DUAL 4IN | 1 | E36 |
| 13 | 13 | 1912824-00 | LS74 FF-D DUAL, EDGE TRIGG | 2 | E38, E45 |
| 13 | 13 | 1912853-00 | LS175 FF-D QUAD | 1 | E31 |
| 13 | 13 | 1914214-00 | LS374 FF-D OCTAL EDGE TRIG | 2 | E3, E26 |
| 13 | 13 | 1914438-00 | DC 013 UNIBUS INTERRUPT-BIP | 5 | E5, E10, E15, E16, E22 |
| 13 | 13 | 1914845-00 | 2918 FF-D QUAD TRI-STATE | 5 | E6, E13, E14, E24, E25 |
| 13 | 13 | 2327291-00 | A1-03, A1-04, A1-05 | 1 | E32 |
| 13 | 13 | 1000055-00 | 2200.0 MMF 250V 20% Y5S DISC | 2 | C3, C4 |
| 13 | 13 | 1000043-00 | 1000.0 MMF 250V 20% Y5F DISC | 2 | C5, C6 |
| 13 | 13 | 1001610-01 | .01 MFD50/100V +80-20% DISC | 1 | C7 |
| 13 | 13 | 1611243-00 | DELAY=25-250NS, 10TAPS RCL#L-183 | 1 | E11 |

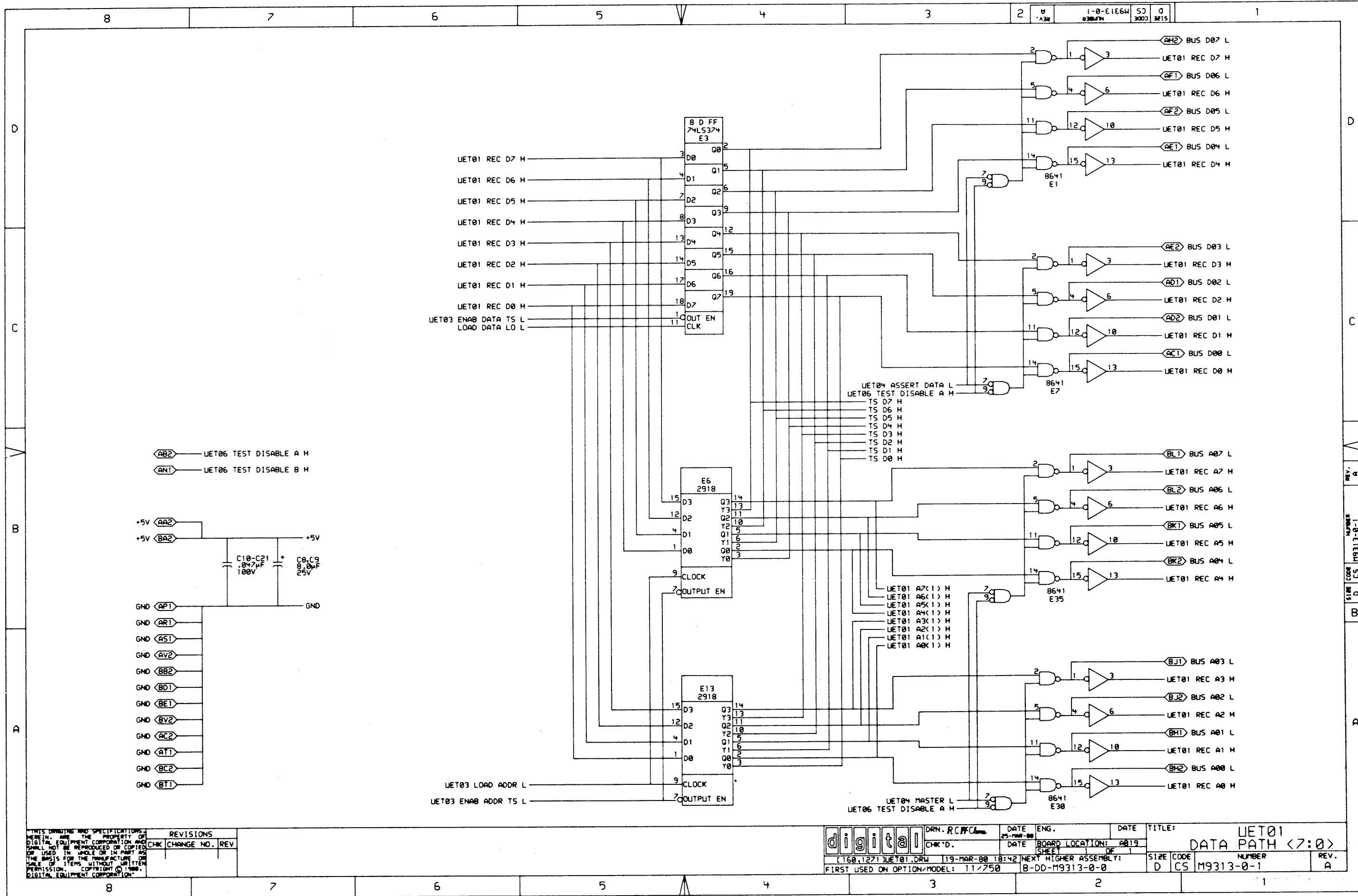
CONT

| | | | | | | | |
|------------------|-----|-------------------------|---|----------------------|--------------------|---------------|---------|
| REVISION HISTORY | | BASIC PART NO: M9313 | | DRN: M.FUNARO | DATE: 22-MAY-79 | D I G I T A L | |
| ENG: ECO NUMBER | REV | SECTION A OF A | CHK'D: F.GAROFALO | DATE: 22-MAY-79 | TITLE PARTS LIST | | |
| INITIAL | A | SECTION VARIATION INDEX | DES. ENG: B.ARMSTRONG | DATE: 22-MAY-79 | DOCUMENT NUMBER | | |
| SB M9312-TW001 | B | [A] 00 | RESP. ENG.: B.ARMSTRONG | DATE: 22-MAY-79 | SIZE: CODE: NUMBER | REV | |
| | | [B] | MFG. ENG.: K.O'BRIEN | DATE: 13-FEB-80 | K PL | M9313-0-DBP | B |
| | | [C] | ASSEMBLY NUMBER: | TOP DOCUMENT NUMBER: | FILE NAME: | | EDIT #: |
| | | [D] | D-UA-M9313-0-0 | B-DD-M9313-0-0 | Z1259B.PLS | | 15 |
| | | [E] | "THIS DRAWING AND SPECIFICATIONS HEREIN, ARE THE PROPERTY OF DIGITAL EQUIPMENT CORPORATION AND SHALL NOT BE REPRODUCED OR COPIED OR USED IN WHOLE OR IN PART AS THE BASIS FOR THE MANUFACTURE OR SALE OF ITEMS WITHOUT WRITTEN PERMISSION. COPYRIGHT (C) 1981. DIGITAL EQUIPMENT CORPORATION" | | | | |
| | | [F] | | | | | |
| | | [G] | | | | | |
| | | [H] | | | | | |
| | | [I] | | | | | |
| | | [J] | | | | | |
| | | [K] | | | | | |
| | | [L] | | | | | |
| | | [M] | | | | | |
| | | [N] | | | | | |

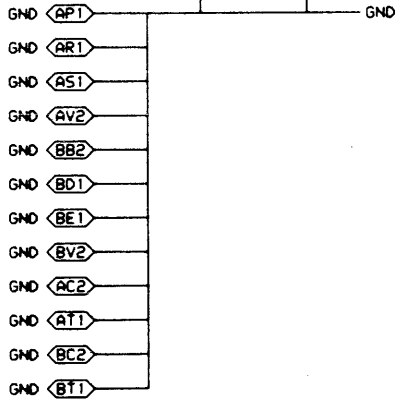
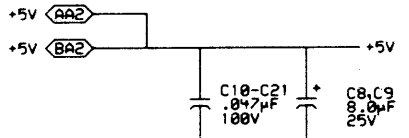
| LINE | ITEM | DOCUMENT NUMBER | PART NUMBER | DESCRIPTION | QTY PER VARIATION | REFERENCE DESIGNATOR |
|------|------|-----------------|-------------|----------------------------------|-------------------|----------------------|
| 30 | 30 | | 1913777-00 | LS240 DRIVER LINE, OCTAL, T | 1 | E20 |
| 31 | 31 | | 1302394-00 | 30.0 K .25 W 5.0% CC | 1 | R5, R6 |
| 32 | 32 | | 1305125-00 | 383.0 .25 W 1.0% RN55D-F10 | 1 | R7, R8 |
| 33 | 33 | | 1012784-00 | .047 MFD 50V +80-20% CER | 1 | C10-C21 |
| 34 | 34 | SEE NOTES | 1012084-01 | 8 MFD 25V +75-10% AL EL | 1 | C8, C9 |
| 35 | 35 | | 1000024-00 | 470.0 MMF 100V 5%200PPM MICA | 1 | C1, C3 |
| 36 | 36 | | 9008337-06 | HANDLE, FLIP CHIP, MAGENTA | 1 | |
| 37 | 37 | | 9000024-01 | EYELET, ROLL FLANGE .1210DX .192 | 4 | |

38 NOTE: SOME MODULES WILL HAVE 10-05306 INSTEAD OF 10-12084-01

| | | | | | | | | | | | | |
|---|---|---|---|---|---|---|-------|----------------|------|------|-----------------|-----|
| D | I | G | I | T | A | L | TITLE | SECTION A OF A | SIZE | CODE | DOCUMENT NUMBER | REV |
| | | | | | | | UET | | K | PL | M9313-0-DBP | B |



AB2 UET06 TEST DISABLE A H
 AN1 UET06 TEST DISABLE B H



THIS DRAWING AND SPECIFICATIONS ARE THE PROPERTY OF DIGITAL EQUIPMENT CORPORATION AND SHALL NOT BE REPRODUCED OR COPIED OR USED IN WHOLE OR IN PART AS THE BASIS FOR THE MANUFACTURE OR SALE OF ITEMS WITHOUT WRITTEN PERMISSION. COPYRIGHT © 1988 DIGITAL EQUIPMENT CORPORATION.

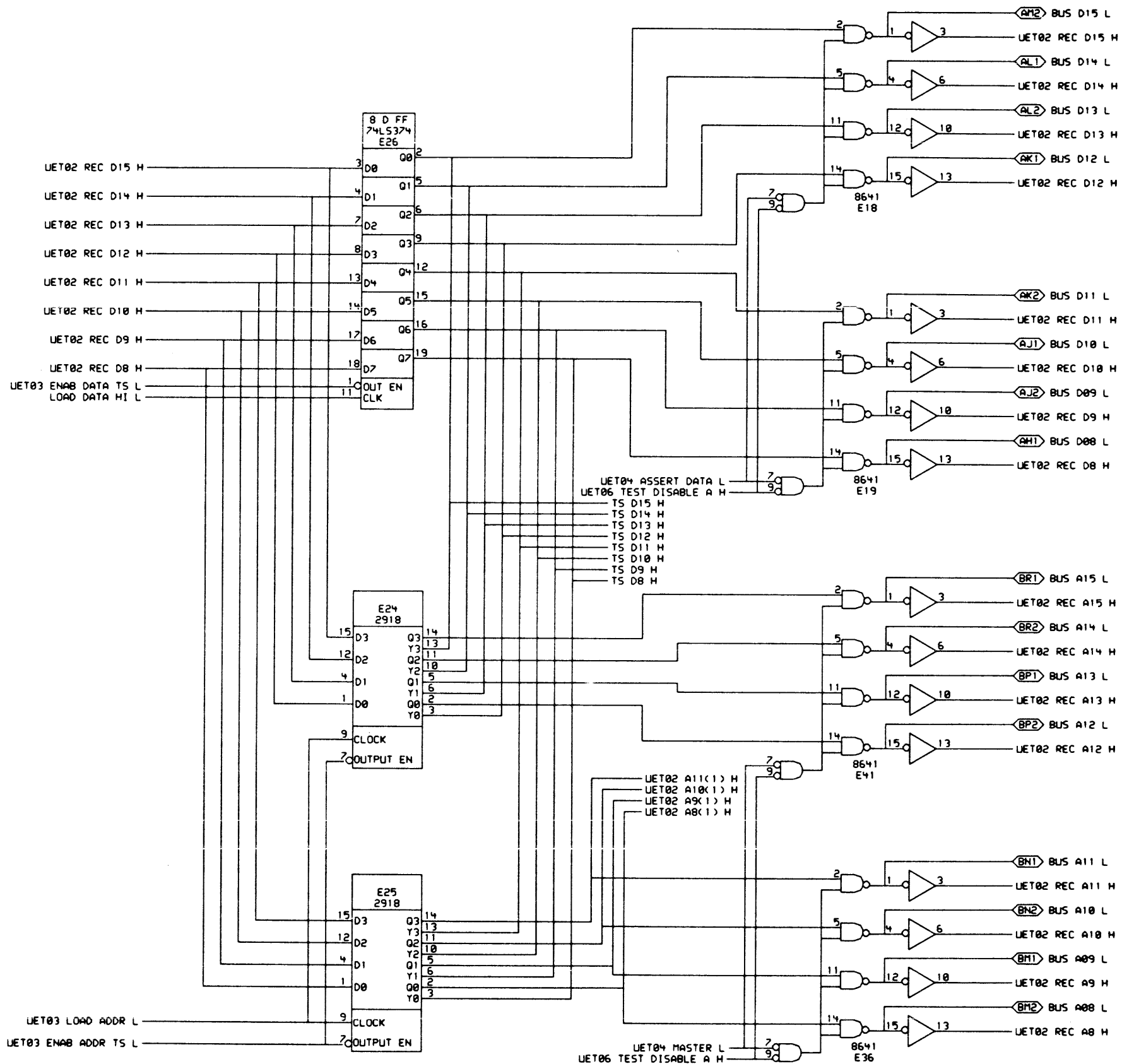
| REVISIONS | |
|-----------|----------------|
| CHK | CHANGE NO. REV |
| | |

| | | | |
|------------------------------------|------------------|-----------------------|-----------------------|
| DRN. R.C.F.C. | DATE ENG. | DATE | TITLE: |
| CHK'D. | 25-MAR-88 | | UET01 DATA PATH <7:0> |
| (160,127) UET01.DRW | 119-MAR-88 18:42 | NEXT HIGHER ASSEMBLY: | SIZE CODE NUMBER |
| FIRST USED ON OPTION/MODEL: 117750 | B-DD-M9313-0-0 | | D CS M9313-0-1 |

digital

DRN. R.C.F.C. DATE ENG. DATE TITLE:
 CHK'D. 25-MAR-88
 (160,127) UET01.DRW 119-MAR-88 18:42 NEXT HIGHER ASSEMBLY:
 FIRST USED ON OPTION/MODEL: 117750 B-DD-M9313-0-0

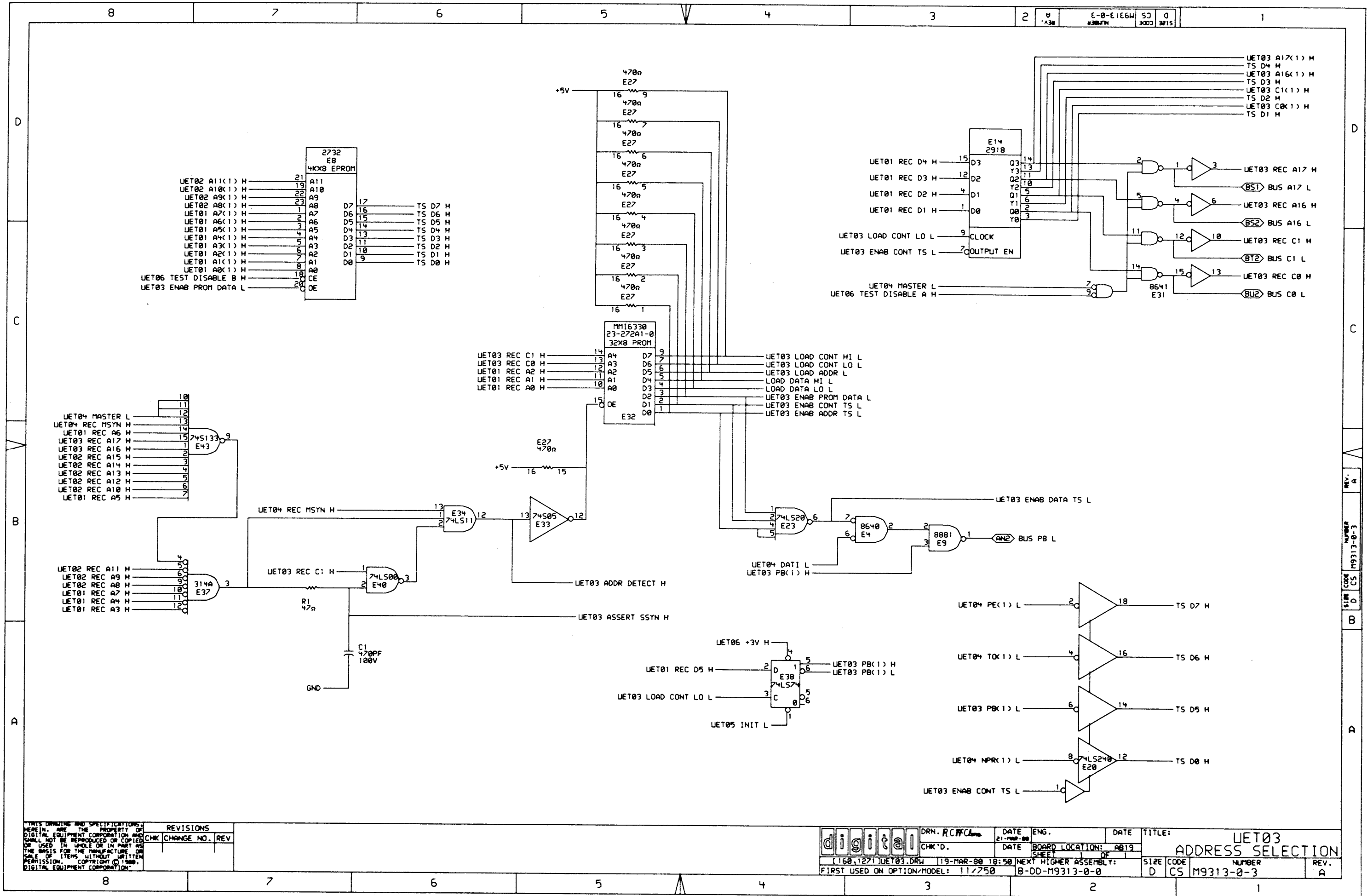
UET01 DATA PATH <7:0>
 SIZE CODE NUMBER REV.
 D CS M9313-0-1 A



THIS DRAWING AND SPECIFICATIONS
HEREIN ARE THE PROPERTY OF
DIGITAL EQUIPMENT CORPORATION AND
SHALL NOT BE REPRODUCED OR COPIED
OR USED IN WHOLE OR IN PART AS
THE BASIS FOR THE MANUFACTURE OR
SALE OF ITEMS WITHOUT WRITTEN
PERMISSION. COPYRIGHT © 1980
DIGITAL EQUIPMENT CORPORATION

| REVISIONS | | |
|-----------|------------|-----|
| CHK | CHANGE NO. | REV |
| | | |

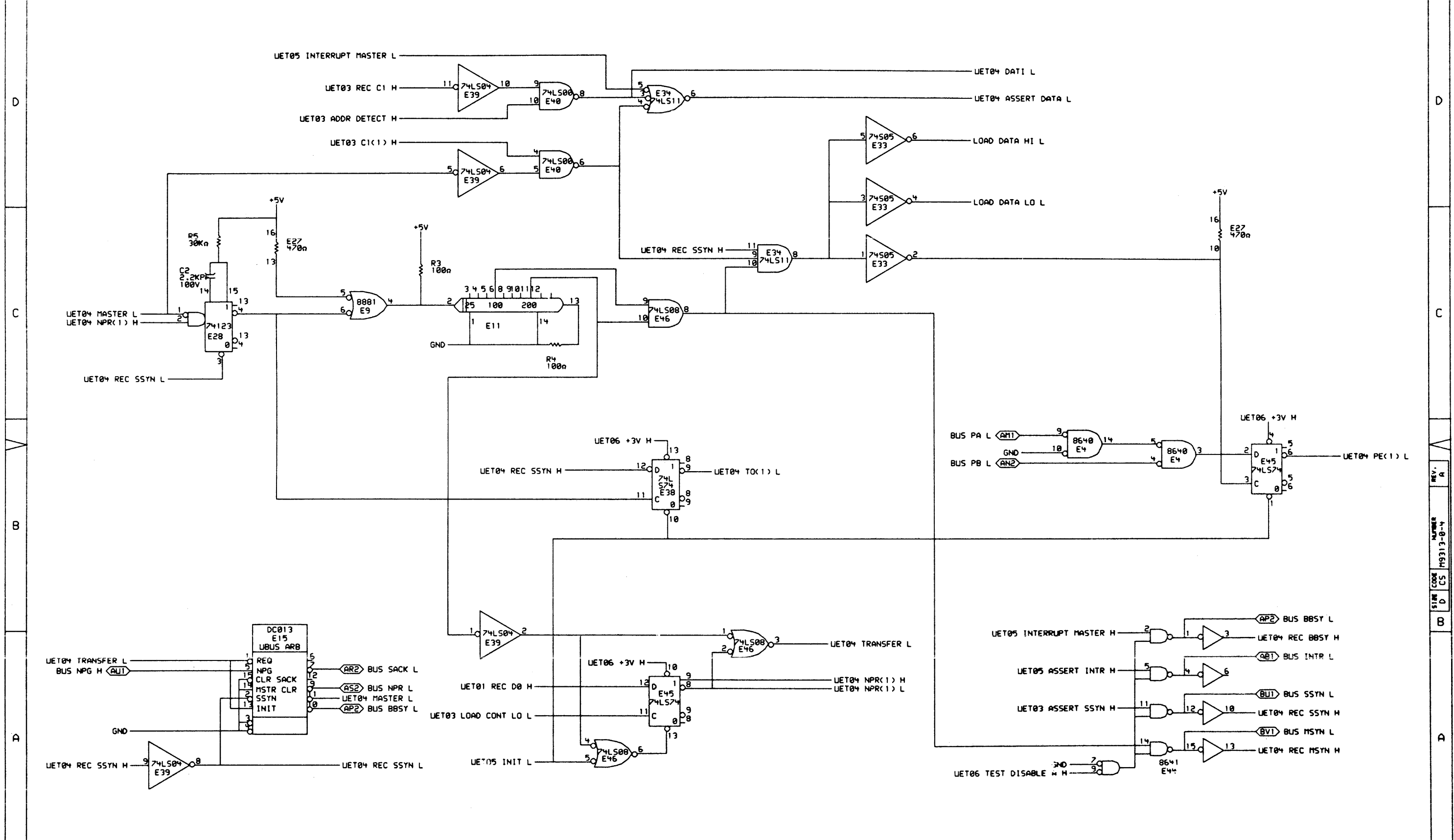
| | | | | | |
|-----------------------------|-----------------|-----------------------|-----------------|--------|-----------|
| digital | DRN. RCAF/Clare | DATE | ENG. | DATE | TITLE: |
| | CHK'D. | DATE | BOARD LOCATION: | | |
| (160,1271) UET02.DRW | 17-FEB-80 13:17 | NEXT HIGHER ASSEMBLY: | | | |
| FIRST USED ON OPTION/MODEL: | 11/250 | B-DD-M9313-0-0 | | | |
| | | SIZE CODE | D CS | NUMBER | M9313-0-2 |
| | | | | REV. | A |



THIS DRAWING AND SPECIFICATIONS ARE THE PROPERTY OF DIGITAL EQUIPMENT CORPORATION AND SHALL NOT BE REPRODUCED OR COPIED OR USED IN WHOLE OR IN PART AS THE BASIS FOR THE MANUFACTURE OR SALE OF ITEMS WITHOUT WRITTEN PERMISSION. COPYRIGHT © 1980, DIGITAL EQUIPMENT CORPORATION.

| REV. | CHG. | NO. | REV. |
|------|------|-----|------|
| | | | |

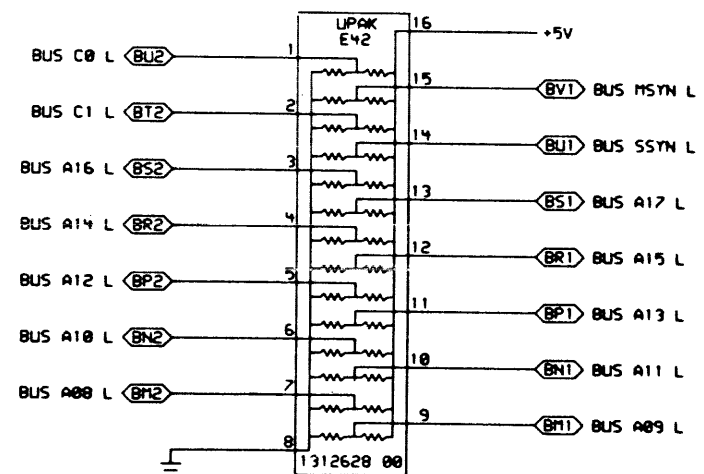
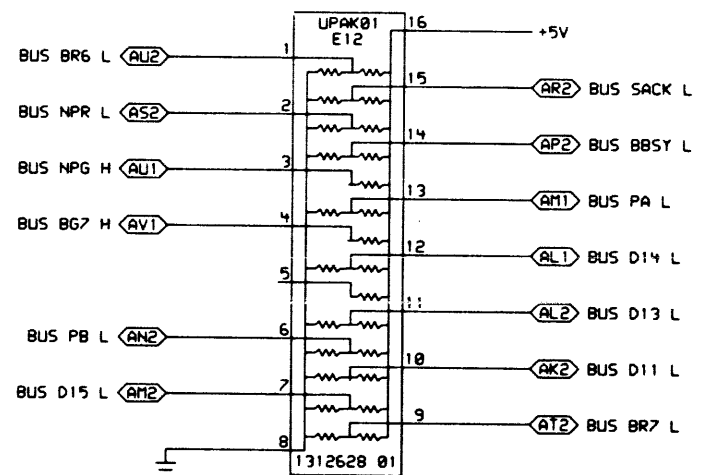
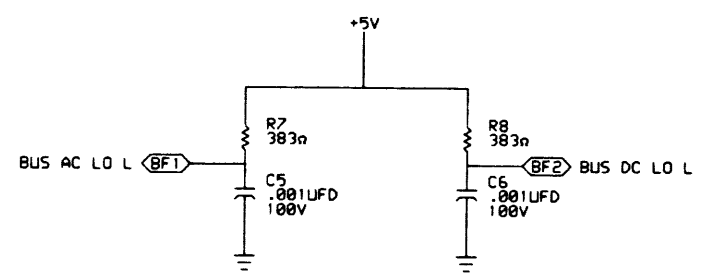
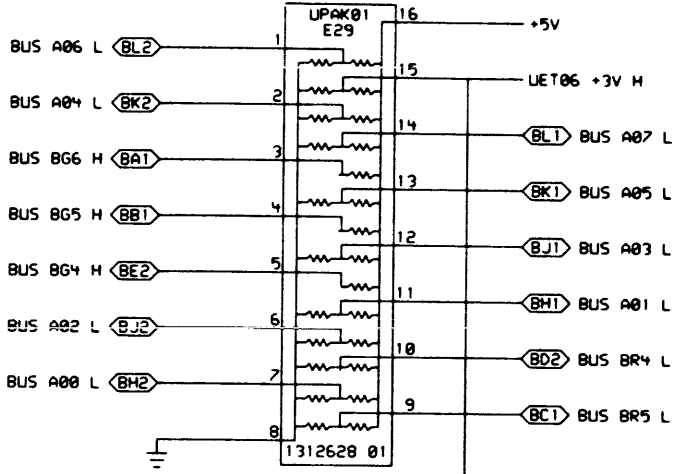
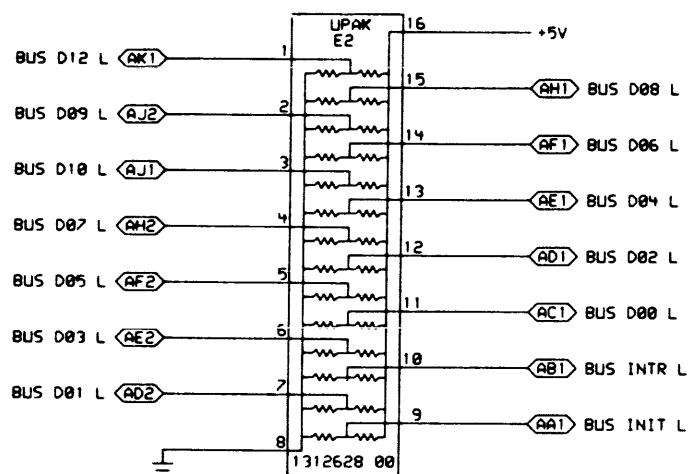
| | | | | | |
|------------------------------------|---------------|--------------------------------------|----------------------|----------------|--------------------------------|
| digital | DRN. R.C.M.C. | DATE 21-MAR-80 | ENG. | DATE | TITLE: UET03 ADDRESS SELECTION |
| | CHK'D. | DATE 19-MAR-80 18:50 | BOARD LOCATION: AB19 | SHEET | OF |
| FIRST USED ON OPTION/MODEL: 11/750 | | NEXT HIGHER ASSEMBLY: B-DD-M9313-0-0 | | SIZE CODE D CS | NUMBER M9313-0-3 |
| | | | | REV. A | |



THIS DRAWING AND SPECIFICATIONS ARE THE PROPERTY OF DIGITAL EQUIPMENT CORPORATION AND SHALL NOT BE REPRODUCED OR COPIED IN WHOLE OR IN PART OR USED IN WHOLE OR IN PART AS THE BASIS FOR THE MANUFACTURE OR SALE OF ITEMS WITHOUT WRITTEN PERMISSION. COPYRIGHT © 1980, DIGITAL EQUIPMENT CORPORATION.

| REVISIONS | |
|-----------|----------------|
| CHK | CHANGE NO. REV |
| | |

| | | | | | |
|------------------------------------|-----------------|----------------|--------------------------------------|--------|-----------------------------|
| digital | DRN. R.C.A.F.C. | DATE 21-MAR-80 | ENG. | DATE | TITLE: UET04 UNIBUS CONTROL |
| | CHK'D. | DATE | BOARD LOCATION: A819 | SHEET | OF |
| FIRST USED ON OPTION/MODEL: 11/250 | | | NEXT HIGHER ASSEMBLY: B-DD-M9313-0-0 | | SIZE CODE D CS |
| NUMBER M9313-0-4 | | | | REV. A | |



THIS DRAWING AND SPECIFICATIONS ARE THE PROPERTY OF DIGITAL EQUIPMENT CORPORATION AND SHALL NOT BE REPRODUCED OR COPIED IN WHOLE OR IN PART AS A BASIS FOR THE MANUFACTURE OR SALE OF ITEMS WITHOUT WRITTEN PERMISSION. COPYRIGHT © 1980, DIGITAL EQUIPMENT CORPORATION.

| REVISIONS | | |
|-----------|------------|-----|
| CHK | CHANGE NO. | REV |
| | | |

| | | | | | |
|------------------------------------|---------------|------|--------------------------------------|-------|-----------|
| digital | DRN. R.C.M.F. | DATE | ENG. | DATE | TITLE: |
| | CHK'D. | DATE | BOARD LOCATION: AB19 | SHEET | OF |
| FIRST USED ON OPTION/MODEL: 11/750 | | | NEXT HIGHER ASSEMBLY: B-DD-M9313-0-0 | | SIZE CODE |
| | | | | | NUMBER |
| | | | | | REV. |
| | | | | | A |

| SIGNAL NAME | PAGE NUMBER(S) | SIGNAL NAME | PAGE NUMBER(S) | SIGNAL NAME | PAGE NUMBER(S) |
|-------------|----------------|-----------------|----------------|-------------------------|----------------|
| BUS A00 L | 06,01 | BUS NPG H | 06,04 | LIET02 A8 (1)M | 03,02 |
| BUS A01 L | 06,01 | BUS NPR L | 06,04 | LIET02 A9 (1)M | 03,02 |
| BUS A02 L | 06,01 | BUS PA L | 04,06 | LIET02 REC A10 H | 02,03 |
| BUS A03 L | 06,01 | BUS PB L | 04,03,06 | LIET02 REC A11 H | 02,03 |
| BUS A04 L | 06,01 | BUS SACK L | 05,06,04 | LIET02 REC A12 H | 02,03 |
| BUS A05 L | 06,01 | BUS S57N L | 06,04 | LIET02 REC A13 H | 02,03 |
| BUS A06 L | 06,01 | LOAD DATA HI L | 02,03,04 | LIET02 REC A14 H | 02,03 |
| BUS A07 L | 06,01 | LOAD DATA LO L | 01,03,04 | LIET02 REC A15 H | 02,03 |
| BUS A08 L | 02,06 | TS D0 H | 01,03 | LIET02 REC A8 H | 02,03 |
| BUS A09 L | 02,06 | TS D1 H | 01,03 | LIET02 REC D10 H | 02,05 |
| BUS A10 L | 02,06 | TS D10 H | 02,05 | LIET02 REC D11 H | 02,05 |
| BUS A11 L | 02,06 | TS D11 H | 02,05 | LIET02 REC D12 H | 02 |
| BUS A12 L | 02,06 | TS D12 H | 02 | LIET02 REC D13 H | 02 |
| BUS A13 L | 02,06 | TS D13 H | 02 | LIET02 REC D14 H | 02 |
| BUS A14 L | 02,06 | TS D14 H | 02 | LIET02 REC D15 H | 02,05 |
| BUS A15 L | 02,06 | TS D15 H | 02 | LIET02 REC D8 H | 02,05 |
| BUS A16 L | 03,06 | TS D2 H | 01,03 | LIET02 REC D9 H | 02,05 |
| BUS A17 L | 03,06 | TS D3 H | 01,03 | LIET03 A16 (1)M | 03 |
| BUS AC LO L | 06 | TS D4 H | 01,03 | LIET03 A17 (1)M | 03 |
| BUS BBST L | 06,04 | TS D5 H | 01,03 | LIET03 ADDR DETECT H | 03,04 |
| BUS B04 H | 05,06 | TS D6 H | 01,03 | LIET03 ASSERT S57N H | 03,04 |
| BUS B05 H | 05,06 | TS D7 H | 01,03 | LIET03 C0 (1)M | 03 |
| BUS B06 H | 05,06 | TS D8 H | 02,05 | LIET03 C1 (1)M | 03,04 |
| BUS B07 H | 05,05 | TS D9 H | 02,05 | LIET03 ENAB ADDR TS L | 01,03,02 |
| BUS B04 L | 05,06 | LIET01 A0 (1)M | 03,01 | LIET03 ENAB CONT TS L | 03,05 |
| BUS B05 L | 05,06 | LIET01 A1 (1)M | 03,01 | LIET03 ENAB DATA TS L | 01,03,02 |
| BUS B06 L | 05,06 | LIET01 A2 (1)M | 03,01 | LIET03 ENAB PROM DATA L | 03 |
| BUS B07 L | 06,05 | LIET01 A3 (1)M | 03,01 | LIET03 LOAD ADDR L | 01,02,03 |
| BUS B08 L | 06,05 | LIET01 A4 (1)M | 01,03 | LIET03 LOAD CONT HI L | 05,03 |
| BUS B09 L | 03,06 | LIET01 A5 (1)M | 01,03 | LIET03 LOAD CONT LO L | 03,04 |
| BUS B10 L | 06,01 | LIET01 A6 (1)M | 01,03 | LIET03 PB (0)M | 03 |
| BUS B01 L | 06,01 | LIET01 A7 (1)M | 01,03 | LIET03 PB (1)M | 03 |
| BUS B02 L | 06,01 | LIET01 REC A0 H | 01,03 | LIET03 REC A16 H | 03 |
| BUS B03 L | 06,01 | LIET01 REC A1 H | 01,03 | LIET03 REC A17 H | 03 |
| BUS B04 L | 01,06 | LIET01 REC A2 H | 01,03 | LIET03 REC C0 H | 03 |
| BUS B05 L | 01,06 | LIET01 REC A3 H | 01,03 | LIET03 REC C1 H | 03,04 |
| BUS B06 L | 01,06 | LIET01 REC A4 H | 01,03 | LIET04 ASSERT DATA L | 01,02,04 |
| BUS B07 L | 01,06 | LIET01 REC A5 H | 01,03 | LIET04 DATI L | 03,04 |
| BUS B08 L | 06,02 | LIET01 REC A6 H | 01,03 | LIET04 MASTER L | 04,01,03,02 |
| BUS B09 L | 06,02 | LIET01 REC A7 H | 01,03 | LIET04 NPR (0)M | 03,04 |
| BUS D10 L | 06,02 | LIET01 REC D0 H | 01,04 | LIET04 NPR (1)M | 04 |
| BUS D11 L | 06,02 | LIET01 REC D1 H | 01,03 | LIET04 PE (0)M | 03,04 |
| BUS D12 L | 06,02 | LIET01 REC D2 H | 01,03 | LIET04 REC BBST H | 05,04 |
| BUS D13 L | 06,02 | LIET01 REC D3 H | 01,03 | LIET04 REC M57N H | 03,04 |
| BUS D14 L | 06,02 | LIET01 REC D4 H | 01,03 | LIET04 REC S57N H | 04 |
| BUS D15 L | 06,02 | LIET01 REC D5 H | 01,03 | LIET04 REC S57N L | 05,04 |
| BUS DC LO L | 06 | LIET01 REC D6 H | 01 | LIET04 TO (0)M | 03,04 |
| BUS INIT L | 06,05 | LIET01 REC D7 H | 01 | LIET04 TRANSFER L | 04 |
| BUS INTR L | 06,04 | LIET02 A10 (1)M | 03,02 | LIET05 ASSERT INTR H | 05,04 |
| BUS M57N L | 06,04 | LIET02 A11 (1)M | 03,02 | | |

NOTES:
1. THIS PAGE LISTS THE SCHEMATIC PAGE NUMBER(S) WHERE A SIGNAL NAME IS REFERENCED.

THIS DRAWING AND SPECIFICATIONS ARE THE PROPERTY OF DIGITAL EQUIPMENT CORPORATION AND SHALL NOT BE REPRODUCED OR COPIED IN WHOLE OR IN PART AS THE BASIS FOR THE MANUFACTURE OR SALE OF ITEMS WITHOUT WRITTEN PERMISSION. COPYRIGHT © 1988, DIGITAL EQUIPMENT CORPORATION.

| REVISIONS | CHK | CHANGE NO. | REV. |
|-----------|-----|------------|------|
| | | | |

| | | | | | |
|-----------------------------------|---------|------------------|-----------------------|-----------|---------------------------------|
| digital | DRN. 09 | DATE 07-1988 | ENG. | DATE | TITLE: LIET07 FORWARD REFERENCE |
| | CHK'D. | DATE 11-28-88 | BOARD LOCATION | OF | |
| (168,127) LIET07.DRW | | 117-FEB-88 13:28 | NEXT HIGHER ASSEMBLY: | SIZE CODE | NUMBER |
| FIRST USED ON OPTION/MODEL 117750 | | B-DD-M9313-0-0 | | D CS | M9313-0-7 |

8

7

6

5

4

3

2

8-0-E1E6M SC D
NUMBER 3000 3015

1

SIGNAL NAME PAGE NUMBER(S)

UET05 BR4 (0)H 05
 UET05 BR5 (0)H 05
 UET05 BR6 (0)H 05
 UET05 BR7 (0)H 05
 UET05 INIT H 05
 UET05 INIT L 05,03,04
 UET05 INTERRUPT MASTER H 05,04
 UET05 INTERRUPT MASTER L 05,04
 UET05 MASTER 04 L 05
 UET05 MASTER 05 L 05

UET05 MASTER 06 L 05
 UET05 MASTER 07 L 05
 UET05 SACK L 05
 UET06 +3V H 06,05,03,04
 UET06 TEST DISABLE A H 01,02,03,04
 UET06 TEST DISABLE B H 03

SIGNAL NAME PAGE NUMBER(S)

SIGNAL NAME PAGE NUMBER(S)

NOTES:
 1. THIS PAGE LISTS THE SCHEMATIC PAGE NUMBER(S) WHERE A SIGNAL NAME IS REFERENCED.

THIS DRAWING AND SPECIFICATIONS
 HEREIN, ARE THE PROPERTY OF
 DIGITAL EQUIPMENT CORPORATION AND
 SHALL NOT BE REPRODUCED OR COPIED
 OR USED IN WHOLE OR IN PART AS
 THE BASIS FOR THE MANUFACTURE OR
 SALE OF ITEMS WITHOUT WRITTEN
 PERMISSION. COPYRIGHT © 1988.
 DIGITAL EQUIPMENT CORPORATION

| REVISIONS | | |
|-----------|------------|-----|
| CHK | CHANGE NO. | REV |
| | | |

digital
 DRN. *DE*
 CHK'D.

DATE 25-MAR-88
 ENG.
 DATE
 BOARD LOCATION: AB19
 SHEET 1 OF 1

TITLE: UET08 FORWARD REFERENCE

(160,1271)UET08.DRW 17-FEB-88 13:30 NEXT HIGHER ASSEMBLY:
 FIRST USED ON OPTION/MODEL: 11/750 B-DD-M9313-0-0

SIZE CODE NUMBER REV.
 D CS M9313-0-8 A

REV. A
 NUMBER M9313-0-8
 CODE CS
 SIZE D

| DRAWING NO. | NO. OF SHTS. | PART NO. | DESCRIPTION | REVISIONS | | | | | | | | | | | | | | | |
|--------------------|--------------|----------|-------------------------------------|-----------|---|---|----|--|--|--|--|--|--|--|--|--|--|--|--|
| | | | | B | C | D | D1 | | | | | | | | | | | | |
| | | 5413795 | PART MODULE | B | C | D | D1 | | | | | | | | | | | | |
| B-DD-5413795-0 | 1 | | 11/750 CONTROL PANEL DRAWING DIR. | B | C | D | E | | | | | | | | | | | | |
| E-UA-5413795-0-0 | 2 | | 11/750 CONTROL PANEL UNIT ASSEMBLY | B | C | C | C | | | | | | | | | | | | |
| K-PL-5413795-0-DBP | 2 | | 11/750 CONTROL PANEL PARTS LIST | B | C | D | E | | | | | | | | | | | | |
| E-MD-5413794-0-0 | 3 | | 11/750 CTRL PANEL DRILL & ETCH DWG | B | B | B | B | | | | | | | | | | | | |
| | | 5013794 | ETCHED BOARD | C | C | C | C | | | | | | | | | | | | |
| K-PC-5413795-0-DBG | | | 11/750 CTRL PANEL DESIGN DATA BASE | C | C | C | C | | | | | | | | | | | | |
| E-EC-5413794-0-0 | 2 | | 11/750 CTRL PANEL ETCH CUT DRAWING | B | B | C | C | | | | | | | | | | | | |
| D-CS-5413795-0-1 | 1 | | 11/750 CTRL PANEL CIRCUIT SCHEMATIC | B | C | C | C | | | | | | | | | | | | |

NOTES:

ALL DOCUMENTATION WAS RELEASED AT REVISION 'B'

| DATE | CHG NO. | REV. | REVISIONS | | |
|-------|---------|------|-----------|---|---|
| | | | C | D | E |
| 9-80 | TW001 | | | | |
| 11-81 | TW002 | | | | |
| 5-83 | TW003 | | | | |

THIS DRAWING AND SPECIFICATIONS, HEREIN, ARE THE PROPERTY OF DIGITAL EQUIPMENT CORPORATION AND SHALL NOT BE REPRODUCED OR COPIED OR USED IN WHOLE OR IN PART AS THE BASIS FOR THE MANUFACTURE OR SALE OF ITEMS WITHOUT WRITTEN PERMISSION.
 COPYRIGHT © 1980 DIGITAL EQUIPMENT CORPORATION

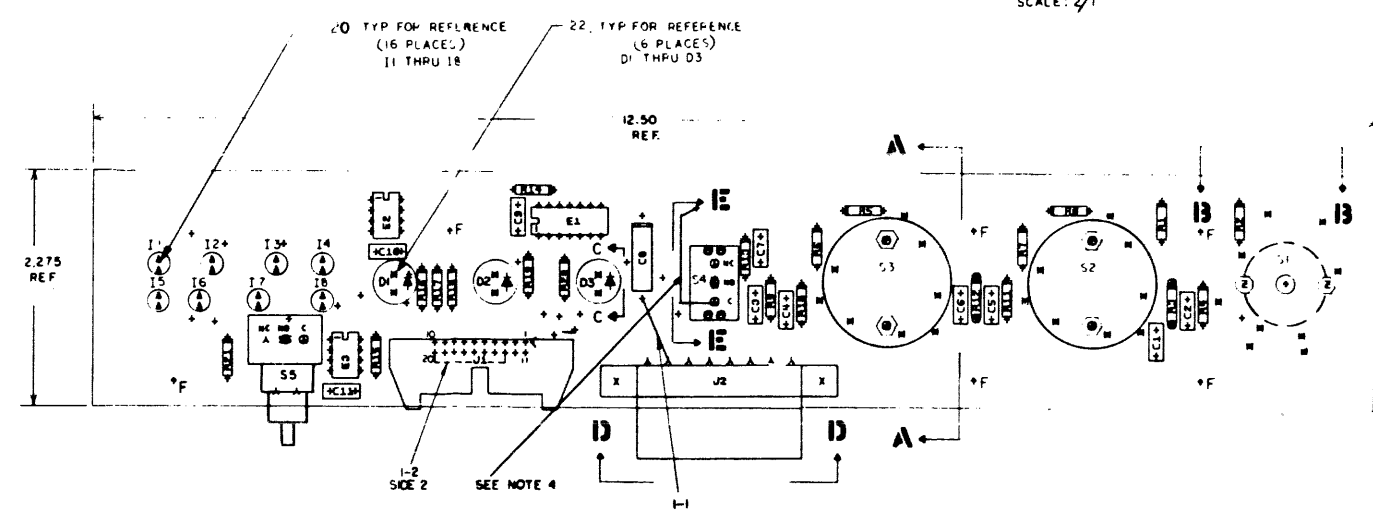
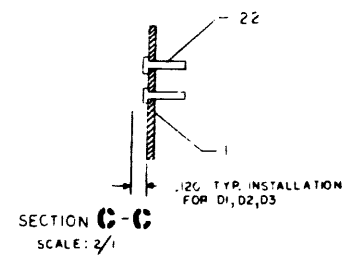
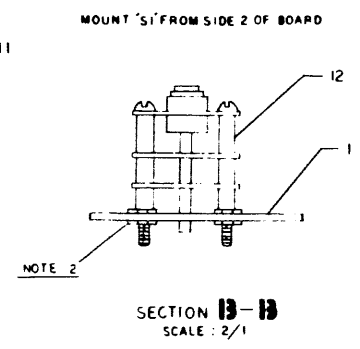
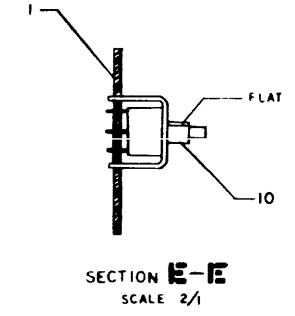
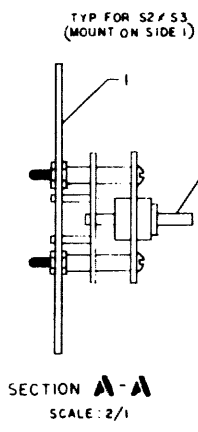
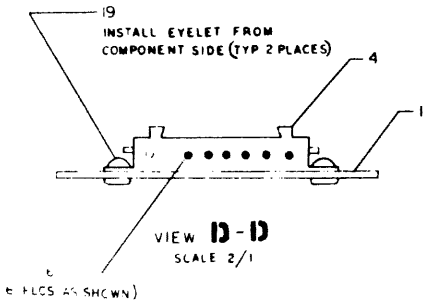


| | | |
|--------------------------------|--------------------|---|
| USED ON OPTION/MODEL 11/750 | DRN. J. CASEY | TITLE 11/750 CONTROL PANEL |
| | CHK'D J. CASEY | |
| | ENG. R. CIESLUK | SIZE CODE NUMBER REV. B DD 5413795-0 E |
| | PROD. J. CONSIDINE | SHEET 1 OF 1 |

ECO 4) REWORK INSTRUCTIONS
 WIRE ADDS SIDE 1
 1-1 ADD 18 AWG 9107560-03 WIRE AND TUBING
 9107274-06 BETWEEN BOTTOM LEAD OF C8
 AND J2-1.
 WIRE ADDS SIDE 2
 1-2 BETWEEN J1-14 AND J1-20

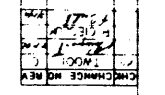
COMPONENT SIDE VIEW

| | | | | | |
|--------|--------|----|-------|-------|---------------|
| DESIGN | DATE | BY | CHK'D | APP'D | TITLE |
| 117750 | | | | | CONTROL PANEL |
| SCALE | 1 OF 2 | | | | 11/750 |
| REV. | | | | | 11/750 |
| 1 | | | | | 11/750 |
| 2 | | | | | 11/750 |
| 3 | | | | | 11/750 |
| 4 | | | | | 11/750 |
| 5 | | | | | 11/750 |
| 6 | | | | | 11/750 |
| 7 | | | | | 11/750 |
| 8 | | | | | 11/750 |
| 9 | | | | | 11/750 |
| 10 | | | | | 11/750 |
| 11 | | | | | 11/750 |
| 12 | | | | | 11/750 |
| 13 | | | | | 11/750 |
| 14 | | | | | 11/750 |
| 15 | | | | | 11/750 |
| 16 | | | | | 11/750 |
| 17 | | | | | 11/750 |
| 18 | | | | | 11/750 |
| 19 | | | | | 11/750 |
| 20 | | | | | 11/750 |
| 21 | | | | | 11/750 |
| 22 | | | | | 11/750 |
| 23 | | | | | 11/750 |
| 24 | | | | | 11/750 |
| 25 | | | | | 11/750 |
| 26 | | | | | 11/750 |
| 27 | | | | | 11/750 |
| 28 | | | | | 11/750 |
| 29 | | | | | 11/750 |
| 30 | | | | | 11/750 |
| 31 | | | | | 11/750 |
| 32 | | | | | 11/750 |
| 33 | | | | | 11/750 |
| 34 | | | | | 11/750 |
| 35 | | | | | 11/750 |
| 36 | | | | | 11/750 |
| 37 | | | | | 11/750 |
| 38 | | | | | 11/750 |
| 39 | | | | | 11/750 |
| 40 | | | | | 11/750 |
| 41 | | | | | 11/750 |
| 42 | | | | | 11/750 |
| 43 | | | | | 11/750 |
| 44 | | | | | 11/750 |
| 45 | | | | | 11/750 |
| 46 | | | | | 11/750 |
| 47 | | | | | 11/750 |
| 48 | | | | | 11/750 |
| 49 | | | | | 11/750 |
| 50 | | | | | 11/750 |
| 51 | | | | | 11/750 |
| 52 | | | | | 11/750 |
| 53 | | | | | 11/750 |
| 54 | | | | | 11/750 |
| 55 | | | | | 11/750 |
| 56 | | | | | 11/750 |
| 57 | | | | | 11/750 |
| 58 | | | | | 11/750 |
| 59 | | | | | 11/750 |
| 60 | | | | | 11/750 |
| 61 | | | | | 11/750 |
| 62 | | | | | 11/750 |
| 63 | | | | | 11/750 |
| 64 | | | | | 11/750 |
| 65 | | | | | 11/750 |
| 66 | | | | | 11/750 |
| 67 | | | | | 11/750 |
| 68 | | | | | 11/750 |
| 69 | | | | | 11/750 |
| 70 | | | | | 11/750 |
| 71 | | | | | 11/750 |
| 72 | | | | | 11/750 |
| 73 | | | | | 11/750 |
| 74 | | | | | 11/750 |
| 75 | | | | | 11/750 |
| 76 | | | | | 11/750 |
| 77 | | | | | 11/750 |
| 78 | | | | | 11/750 |
| 79 | | | | | 11/750 |
| 80 | | | | | 11/750 |
| 81 | | | | | 11/750 |
| 82 | | | | | 11/750 |
| 83 | | | | | 11/750 |
| 84 | | | | | 11/750 |
| 85 | | | | | 11/750 |
| 86 | | | | | 11/750 |
| 87 | | | | | 11/750 |
| 88 | | | | | 11/750 |
| 89 | | | | | 11/750 |
| 90 | | | | | 11/750 |
| 91 | | | | | 11/750 |
| 92 | | | | | 11/750 |
| 93 | | | | | 11/750 |
| 94 | | | | | 11/750 |
| 95 | | | | | 11/750 |
| 96 | | | | | 11/750 |
| 97 | | | | | 11/750 |
| 98 | | | | | 11/750 |
| 99 | | | | | 11/750 |
| 100 | | | | | 11/750 |

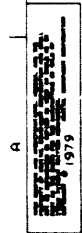


NOTES:
 1. WIRE FROM L1, L2, L3, L4, L5, L6, L7, L8, L9, L10, L11, L12, L13, L14, L15, L16, L17, L18, L19, L20, L21, L22, L23, L24, L25, L26, L27, L28, L29, L30, L31, L32, L33, L34, L35, L36, L37, L38, L39, L40, L41, L42, L43, L44, L45, L46, L47, L48, L49, L50, L51, L52, L53, L54, L55, L56, L57, L58, L59, L60, L61, L62, L63, L64, L65, L66, L67, L68, L69, L70, L71, L72, L73, L74, L75, L76, L77, L78, L79, L80, L81, L82, L83, L84, L85, L86, L87, L88, L89, L90, L91, L92, L93, L94, L95, L96, L97, L98, L99, L100.
 2. WIRE FROM L1, L2, L3, L4, L5, L6, L7, L8, L9, L10, L11, L12, L13, L14, L15, L16, L17, L18, L19, L20, L21, L22, L23, L24, L25, L26, L27, L28, L29, L30, L31, L32, L33, L34, L35, L36, L37, L38, L39, L40, L41, L42, L43, L44, L45, L46, L47, L48, L49, L50, L51, L52, L53, L54, L55, L56, L57, L58, L59, L60, L61, L62, L63, L64, L65, L66, L67, L68, L69, L70, L71, L72, L73, L74, L75, L76, L77, L78, L79, L80, L81, L82, L83, L84, L85, L86, L87, L88, L89, L90, L91, L92, L93, L94, L95, L96, L97, L98, L99, L100.
 3. WIRE FROM L1, L2, L3, L4, L5, L6, L7, L8, L9, L10, L11, L12, L13, L14, L15, L16, L17, L18, L19, L20, L21, L22, L23, L24, L25, L26, L27, L28, L29, L30, L31, L32, L33, L34, L35, L36, L37, L38, L39, L40, L41, L42, L43, L44, L45, L46, L47, L48, L49, L50, L51, L52, L53, L54, L55, L56, L57, L58, L59, L60, L61, L62, L63, L64, L65, L66, L67, L68, L69, L70, L71, L72, L73, L74, L75, L76, L77, L78, L79, L80, L81, L82, L83, L84, L85, L86, L87, L88, L89, L90, L91, L92, L93, L94, L95, L96, L97, L98, L99, L100.
 4. WIRE FROM L1, L2, L3, L4, L5, L6, L7, L8, L9, L10, L11, L12, L13, L14, L15, L16, L17, L18, L19, L20, L21, L22, L23, L24, L25, L26, L27, L28, L29, L30, L31, L32, L33, L34, L35, L36, L37, L38, L39, L40, L41, L42, L43, L44, L45, L46, L47, L48, L49, L50, L51, L52, L53, L54, L55, L56, L57, L58, L59, L60, L61, L62, L63, L64, L65, L66, L67, L68, L69, L70, L71, L72, L73, L74, L75, L76, L77, L78, L79, L80, L81, L82, L83, L84, L85, L86, L87, L88, L89, L90, L91, L92, L93, L94, L95, L96, L97, L98, L99, L100.

+



| | |
|--------|--|
| NOTES: | 1. WIRE FROM L1, L2, L3, L4, L5, L6, L7, L8, L9, L10, L11, L12, L13, L14, L15, L16, L17, L18, L19, L20, L21, L22, L23, L24, L25, L26, L27, L28, L29, L30, L31, L32, L33, L34, L35, L36, L37, L38, L39, L40, L41, L42, L43, L44, L45, L46, L47, L48, L49, L50, L51, L52, L53, L54, L55, L56, L57, L58, L59, L60, L61, L62, L63, L64, L65, L66, L67, L68, L69, L70, L71, L72, L73, L74, L75, L76, L77, L78, L79, L80, L81, L82, L83, L84, L85, L86, L87, L88, L89, L90, L91, L92, L93, L94, L95, L96, L97, L98, L99, L100. |
| 2. | WIRE FROM L1, L2, L3, L4, L5, L6, L7, L8, L9, L10, L11, L12, L13, L14, L15, L16, L17, L18, L19, L20, L21, L22, L23, L24, L25, L26, L27, L28, L29, L30, L31, L32, L33, L34, L35, L36, L37, L38, L39, L40, L41, L42, L43, L44, L45, L46, L47, L48, L49, L50, L51, L52, L53, L54, L55, L56, L57, L58, L59, L60, L61, L62, L63, L64, L65, L66, L67, L68, L69, L70, L71, L72, L73, L74, L75, L76, L77, L78, L79, L80, L81, L82, L83, L84, L85, L86, L87, L88, L89, L90, L91, L92, L93, L94, L95, L96, L97, L98, L99, L100. |
| 3. | WIRE FROM L1, L2, L3, L4, L5, L6, L7, L8, L9, L10, L11, L12, L13, L14, L15, L16, L17, L18, L19, L20, L21, L22, L23, L24, L25, L26, L27, L28, L29, L30, L31, L32, L33, L34, L35, L36, L37, L38, L39, L40, L41, L42, L43, L44, L45, L46, L47, L48, L49, L50, L51, L52, L53, L54, L55, L56, L57, L58, L59, L60, L61, L62, L63, L64, L65, L66, L67, L68, L69, L70, L71, L72, L73, L74, L75, L76, L77, L78, L79, L80, L81, L82, L83, L84, L85, L86, L87, L88, L89, L90, L91, L92, L93, L94, L95, L96, L97, L98, L99, L100. |
| 4. | WIRE FROM L1, L2, L3, L4, L5, L6, L7, L8, L9, L10, L11, L12, L13, L14, L15, L16, L17, L18, L19, L20, L21, L22, L23, L24, L25, L26, L27, L28, L29, L30, L31, L32, L33, L34, L35, L36, L37, L38, L39, L40, L41, L42, L43, L44, L45, L46, L47, L48, L49, L50, L51, L52, L53, L54, L55, L56, L57, L58, L59, L60, L61, L62, L63, L64, L65, L66, L67, L68, L69, L70, L71, L72, L73, L74, L75, L76, L77, L78, L79, L80, L81, L82, L83, L84, L85, L86, L87, L88, L89, L90, L91, L92, L93, L94, L95, L96, L97, L98, L99, L100. |



AUTOMATED BY PRTLST.4Q(50)

PARTS LIST

SHEET A1 OF A2

| LINE | ITEM | DOCUMENT NUMBER | PART NUMBER | DESCRIPTION | QTY PER VARIATION | REFERENCE DESIGNATOR |
|------|------|------------------|-------------|----------------------------------|-------------------|----------------------|
| | | | | | 00 | |
| 1 | 1 | D-MD-5013794-0-0 | 5413795-00 | 11750 CONTROL PANEL | 1 | |
| 2 | 2 | | 1001610-00 | .01 MFD 50V +80-20% Z5U CER | 10 | C1-C7,C9-C11 |
| 3 | 3 | SEE NOTE | 1012084-01 | 8 MFD 25V +75-10% AL EL | 1 | C8 |
| 4 | 4 | | 1209340-00 | MATE-N-LOK 08SKT(1X08). HSG | 1 | J2 |
| 5 | 5 | | 1209456-01 | MATE-N-LOK 01SKT 20-18AWG .0870D | 6 | |
| 6 | 6 | | 1209941-06 | PCB,HEADER 20PIN(2X20).100CC 90D | 1 | J1 |
| 7 | 7 | | 1211068-00 | LAMP,T-1 5VDC,.115A | 8 | I1-I8 |
| 8 | 8 | | 1212749-00 | LIGHT,PNL INDICATOR,LED,RED | 2 | D2,D3 |
| 9 | 9 | | 1212749-01 | LIGHT,PNL INDICATOR,LED,GRN | 1 | D1 |
| 10 | 10 | | 1216167-00 | SW,PB 1PDT NO MOM-NC 0.4A | 1 | S4 |
| 11 | 11 | | 1216181-00 | SW,ROT 2P 4POS 110VAC/0.5A | 2 | S2,S3 |
| 12 | 12 | | 1216182-00 | SW,ROT 2P 5POS 28VDC/0.1A | 1 | S1 |
| 13 | 13 | | 1300229-00 | 100.0 .25 W 5.0 % CF | 6 | R1,R2,R5-R8 |
| 14 | 14 | | 1300295-00 | 330.0 .25 W 5.0 % CF | 2 | R19,R20 |
| 15 | 15 | | 1300365-00 | 1.0 K .25 W 5.0 % CF | 6 | R13,R15-R18,R21 |
| 16 | 16 | | 1303177-00 | 2.40 K .25 W 5.0 % CF | 7 | R3,R4,R9-R12,R14 |
| 17 | 17 | | 1910011-00 | DEC 7486 X-OR GATE-QUAD 2INPU | 1 | E1 |
| 18 | 18 | | 1910406-00 | 75451 DRIVER,PERIPH,DUAL, | 2 | E2,E3 |
| 19 | 19 | | 9000024-01 | EYELET,ROLLED 0.1210DX0.192 | 2 | |
| 20 | 20 | | 9007812-00 | SKT,SPRING 01POS GOLD PC M | 16 | |
| 21 | 21 | | 1216523-00 | SW,PB 1PDT NO MOM-NC 1A | 1 | S5 |
| 22 | 22 | | 1211449-01 | SKT,SPRING 01SKT TIN KNOC | 6 | |
| 23 | 23 | | 9009963-00 | PLUNGER, 1/4 DIA | 6 | |
| 24 | 24 | | 9009966-00 | GROMMET,SNAP-IN POLYCARBONAT | 6 | |
| 25 | 25 | | 1209941-04 | PCB,HEADER LATCH | 1 | |
| 26 | 26 | | 1209941-03 | PCB,HEADER LATCH | 1 | |
| 27 | 27 | | 1216524-00 | CAP,PB SW WHITE | 1 | C12 |
| 28 | 28 | | 9107560-03 | WIRE,BUSS 18AWG TIN BARE | A/R | |
| 29 | 29 | | 9107278-00 | TUBING,TEFLON .042ID | A/R | |

| REVISION HISTORY | | | BASIC PART NO: 5413795 | | D I G I T A L | | | |
|------------------|---------------|-----|-------------------------|------------------|------------------|----------------------|------------------|----------------------|
| ENG | ECO NUMBER | REV | SECTION A OF A | DRN: | P.TELLIER | DATE: | 17-MAY-83 | |
| | INITIAL | B | SECTION VARIATION INDEX | CHK'D: | F.GAROFALO | DATE: | 17-MAY-83 | TITLE |
| RC | 5413795-TW01A | C | [A] 00 | | | | | PARTS LIST |
| RC | 5413795-TW002 | D | [B] | | | | | 11/750 CONTROL PANEL |
| SB | 5413795-TW003 | E | [C] | DES.ENG: | R.CIESLUK | DATE: | 17-MAY-83 | |
| | | | [D] | | | | | DOCUMENT NUMBER |
| | | | [E] | RESP.ENG.: | D.CANE | DATE: | 17-MAY-83 | |
| | | | [F] | | | | | SIZE |
| | | | [H] | MFG.ENG.: | K.O'BRIEN | DATE: | 17-MAY-83 | CODE |
| | | | [J] | | | | | NUMBER |
| | | | [K] | ASSEMBLY NUMBER: | D-UA-5413795-0-0 | TOP DOCUMENT NUMBER: | B-DD-5413795-0-0 | REV |
| | | | [L] | | | | | FILE NAME: |
| | | | [M] | | | | | Z1255E.PLS |
| | | | [N] | | | | | EDIT # |
| | | | | | | | | 24 |

"THIS DRAWING AND SPECIFICATIONS HEREIN, ARE THE PROPERTY OF DIGITAL EQUIPMENT CORPORATION AND SHALL NOT BE REPRODUCED OR COPIED OR USED IN WHOLE OR IN PART AS THE BASIS FOR THE MANUFACTURE OR SALE OF ITEMS WITHOUT WRITTEN PERMISSION. COPYRIGHT (C) 1983. DIGITAL EQUIPMENT CORPORATION "

AUTOMATED BY PRTLST.4Q(50)

P A R T S L I S T

SHEET A2 OF A2

LINE ITEM DOCUMENT NUMBER

PART NUMBER

DESCRIPTION

QTY PER VARIATION
00

REFERENCE DESIGNATOR

30 NOTE: SOME MODULES WILL HAVE 10-05306 INSTEAD OF 1012084-01

| | | | | | | | | | | | | |
|---|---|---|---|---|---|---|----------------------|----------------|------|------|-----------------|-----|
| D | I | G | I | T | A | L | TITLE | SECTION A OF A | SIZE | CODE | DOCUMENT NUMBER | REV |
| | | | | | | | 11/750 CONTROL PANEL | | K | PL | 5413795-0-DBP | E |

THIS DRAWING AND SPECIFICATIONS HEREIN ARE THE PROPERTY OF DIGITAL EQUIPMENT CORPORATION AND SHALL NOT BE REPRODUCED OR COPIED OR USED IN WHOLE OR IN PART AS THE BASIS FOR THE MANUFACTURE OR SALE OF ITEMS WITHOUT WRITTEN PERMISSION.
 COPYRIGHT © 1975 DIGITAL EQUIPMENT CORPORATION

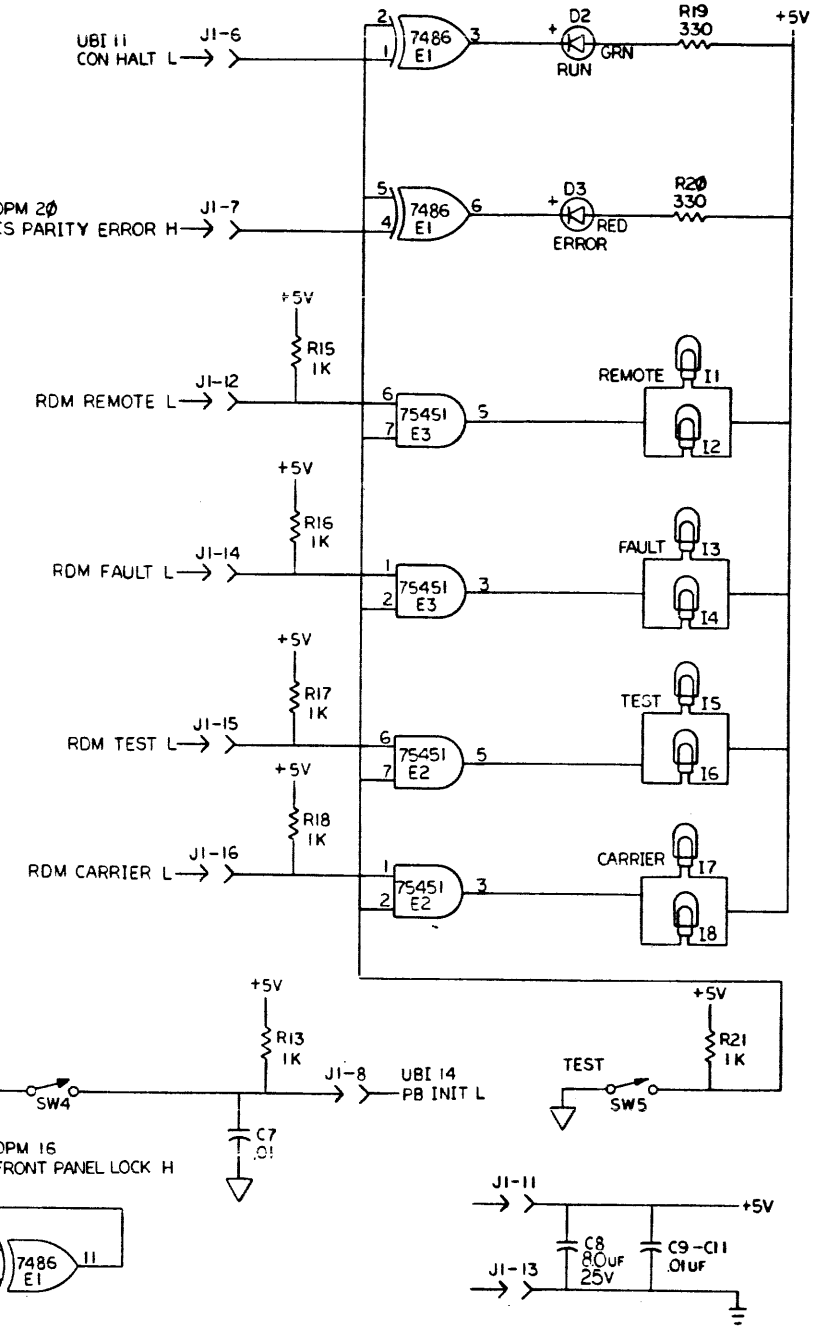
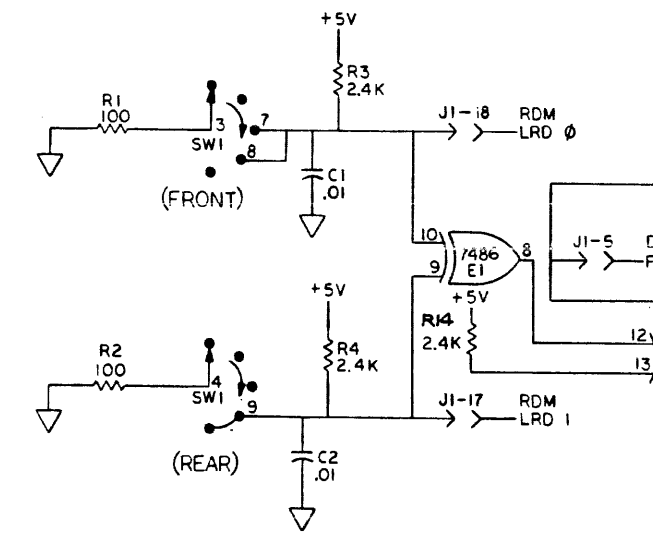
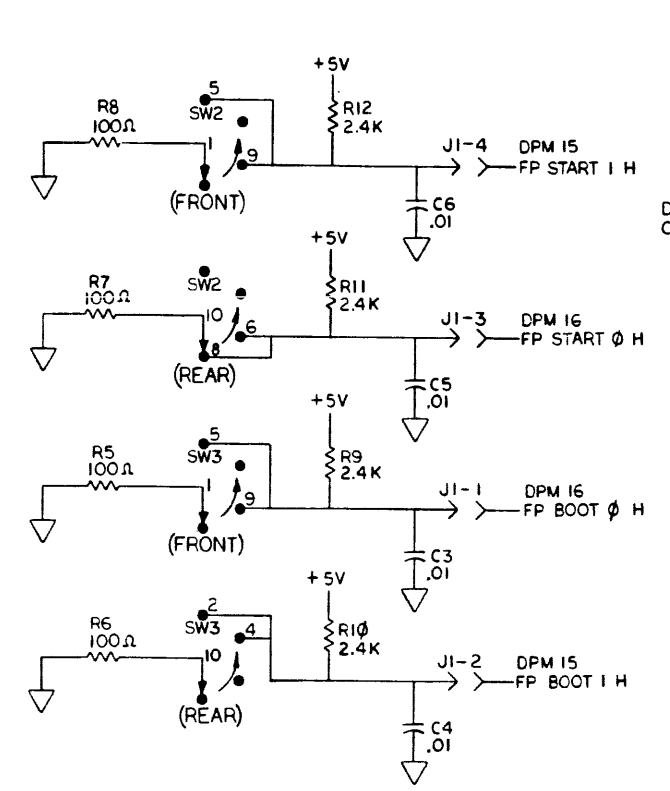
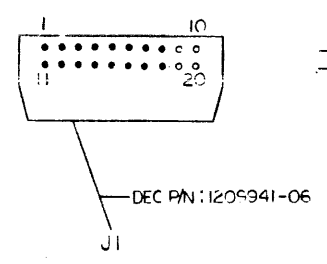
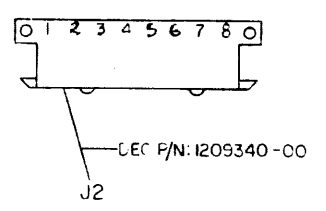
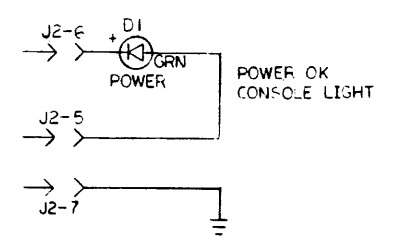
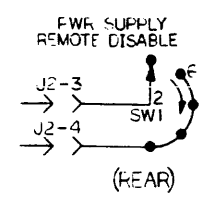
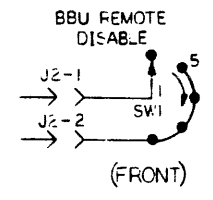
1-0-9675175 CS 5413795-0-1

| SWITCH 1 (SHOWN IN POSITION ONE) | | |
|----------------------------------|---------------|--------------------|
| SWITCH POS. | FUNCTION | CONNECTION |
| 1 | OFF | --- |
| 2 | SECURE | 1-5, 2-6 |
| 3 | LOCAL | 1-5, 2-6, 3-7 |
| 4 | REMOTE SECURE | 1-5, 2-6, 3-8, 4-9 |
| 5 | REMOTE | 1-5, 2-6, 4-9 |

| SWITCH 2 (SHOWN IN POSITION ONE) | | |
|----------------------------------|----------|------------|
| SWITCH POS. | FUNCTION | CONNECTION |
| 1 | BOOT | 8-10 |
| 2 | RESTART | 1-9, 6-10 |
| 3 | HALT | --- |
| 4 | RESTART | 1-5 |

| SWITCH 3 | | |
|-------------|----------|------------|
| SWITCH POS. | FUNCTION | CONNECTION |
| 1 | A | --- |
| 2 | B | 1-9 |
| 3 | C | 4-10 |
| 4 | D | 1-5, 2-10 |

NOTES:
 1. SWITCHES 2 AND 3 ARE IN POSITION ONE WHEN FULLY CLOCKWISE.

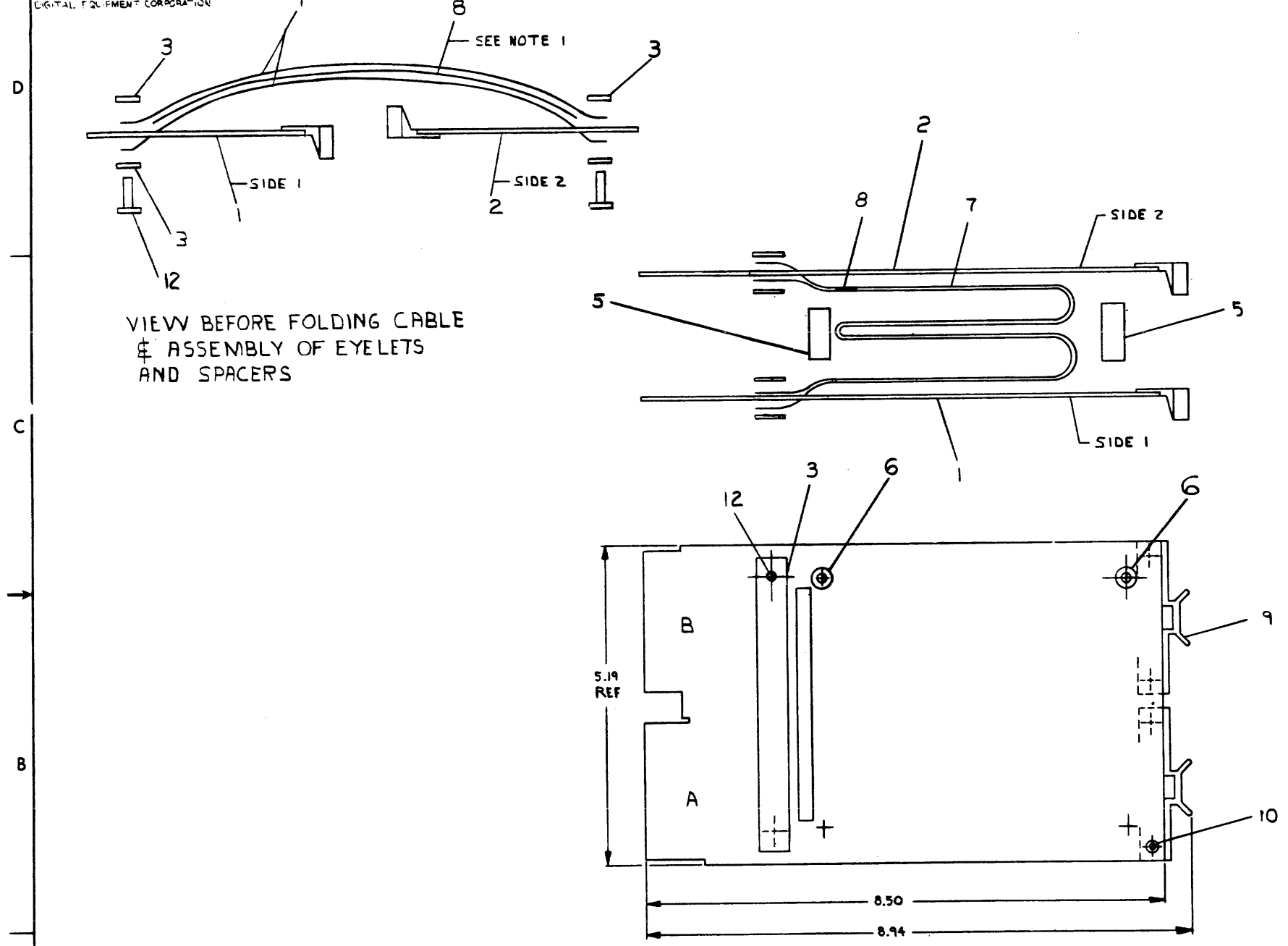


| REV. | CHG. | NO. | DATE | BY |
|------|------|-----|----------|------------|
| 1 | | 1 | 11/21/75 | R. CIESLIK |

| | | | |
|-------------------------|---------|---------------------------|----------------------|
| DRN. <i>J. Chissem</i> | 3/21/75 | FIRST USED ON | 40-000-0 |
| CHK'D | | TITLE | 11/750 CONTROL PANEL |
| ENG. <i>H. Chissem</i> | 2/6/76 | PROJ. ENG. <i>D. Cane</i> | 3/21/76 |
| PROD. <i>J. Chissem</i> | 3/21/76 | NEXT HIGHER ASSY. | 5413795-00 |
| SCALE | | SIZE | D |
| SHEET | 1 | OF | 1 |
| DIST. | | NUMBER | 5413795-0-1 |
| | | REV. | C |

This drawing and specifications herein are the property of Digital Equipment Corporation and shall not be reproduced or copied or used in whole or in part as the basis for the manufacture or sale of items without written permission (COPYRIGHT © 1975)
DIGITAL EQUIPMENT CORPORATION

- NOTES:
1. FOAM (ITEM#8) TO BE PLACED BETWEEN CABLES (ITEM#7) AND ALL FOLDS.
 2. FLEX PRINTS TO BE BOUND TOGETHER BY WRAPPING WITH BLACK ELECTRICAL TAPE (ITEM#4) EVERY 8 INCHES.



CAUTION: OFF SHEET PARTS LIST EXISTS SEE K-PL-M9202-0-DBP

| QTY. | DESCRIPTION | PART NO. | ITEM NO. |
|------|--------------------------|------------------|----------|
| 4 | EYELET | 9006745 | 12 |
| A/R | TAPE, ADHESIVE TRANSFER | 9009347-01 | 11 |
| 8 | EYELET | 9006752 | 10 |
| 4 | HANDLE, FMP-CHIP MAGENTA | 9008337-06 | 9 |
| A/R | FOAM, GRAY | 1008881 | 8 |
| 2 | CABLE, FLEXPRINT (2' LG) | 1700002-01 | 7 |
| 4 | EYELET | 9008223 | 6 |
| 4 | SPACER | B-MD-7413488-0-0 | 5 |
| A/R | BLACK ELECTRICAL TAPE | 9009507 | 4 |
| 4 | CLAMP, CABLE | B-MD-7413489-0-0 | 3 |
| 1 | ETCHED CIRCUIT BOARD | D-CS-5411579-0-1 | 2 |
| 1 | ETCHED CIRCUIT BOARD | D-CS-5411577-0-1 | 1 |

| | | | | | | | | | |
|---|---------|-------------------|---------|-------------------------------|--|--------------|--|----------|--|
| FIRST USED ON OPTION/MODEL PDP/11 | | QTY. | | DESCRIPTION | | PART NO. | | ITEM NO. | |
| UNLESS OTHERWISE SPECIFIED DIMENSION IN INCHES TOLERANCES | | | | | | | | | |
| DECIMALS | ANGLES | DRN | DATE | PARTS LIST | | | | | |
| .XX - .000 | 10° 30' | DRN | 1/28/75 | digital EQUIPMENT CORPORATION | | | | | |
| .XX - .02 | | CHKD. | 2-7-75 | CABLE, UNIBUS (JUMPER) | | | | | |
| X - .1 | | END. | 5-2-75 | TITLE | | | | | |
| REMOVE BURRS AND BREAK SHARP CORNERS SURFACE QUALITY | | PROG. | 5-2-75 | SIZE CODE | | | | | |
| | | DATE | 5-2-75 | NUMBER | | | | | |
| | | | | DUA M9202-φ-φ | | | | | |
| MATERIAL | | NEXT HIGHER ASSY. | | SCALE NONE | | SHEET 1 OF 1 | | REV C | |
| SEE PARTS LIST | | | | | | | | | |
| FINISH | | | | | | | | | |

REVISIONS

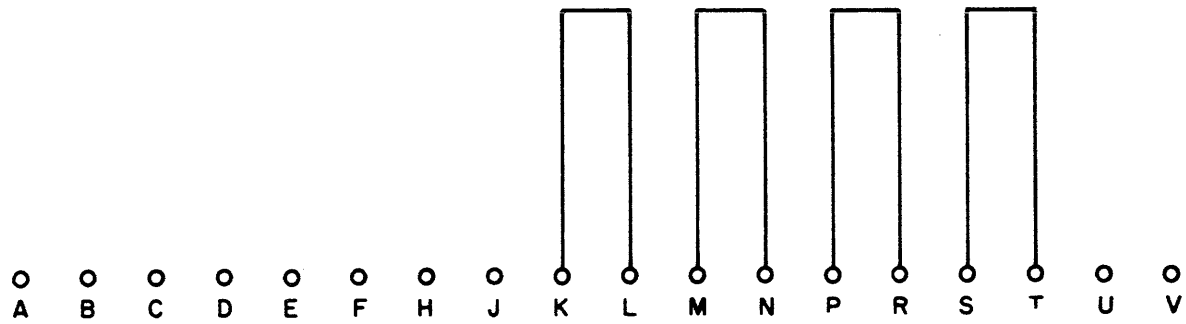
| REV. | CHANGE NO. | DATE | BY | CHKD. |
|------|-------------|-------------|------------|-------|
| A | M9202-00001 | 15 April 77 | K. SARGENT | |
| B | | 19 April 77 | | |
| C | | | | |

DEC FORM NO. DMD 100-A

PART NO. DUA M9202-φ-φ

REV. NUMBER G727-0-1 SIZE CODE B CS

THIS SCHEMATIC IS FURNISHED ONLY FOR TEST AND MAINTENANCE PURPOSES. THE CIRCUITS ARE PROPRIETARY IN NATURE AND SHOULD BE TREATED ACCORDINGLY. COPYRIGHT 1969 BY DIGITAL EQUIPMENT CORPORATION



| | | | | | | | | | | |
|-------------------------------|---|-------------------------------------|-----|-----|-----|---|-------------------------------|---------|-----------------|------|
| REVISIONS CHK CHG NO. REV. | DRN. <i>BUTLER</i> DATE <i>11-19-69</i> | TRANSISTOR & DIODE CONVERSION CHART | | | | EQUIPMENT CORPORATION MAYNARD, MASSACHUSETTS | TITLE GRANT CONTINUITY G727 | | | |
| | CHK'D <i>P. J. Smith</i> DATE <i>6-FC-670</i> | DEC | EIA | DEC | EIA | | SIZE B | CODE CS | NUMBER G727-0-1 | REV. |
| | ENG. <i>P. E. Johnson</i> DATE <i>1/23/70</i> | | | | | | PRINTED CIRCUIT REV. <i>A</i> | | | |
| | PROD. DATE | | | | | | | | | |