

1

2

3

4

A

A

B

B

C

C

D

D

U_Interface
Interface.SchDoc



U_Power
Power.SchDoc



U_Spartan_6_Core
Spartan_6_Core.SchDoc



U_SRAM_EEPROM
SRAM_EEPROM.SchDoc



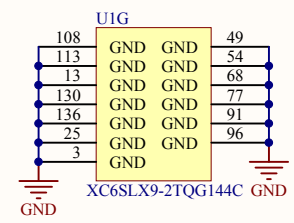
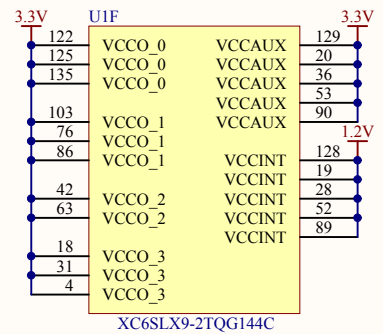
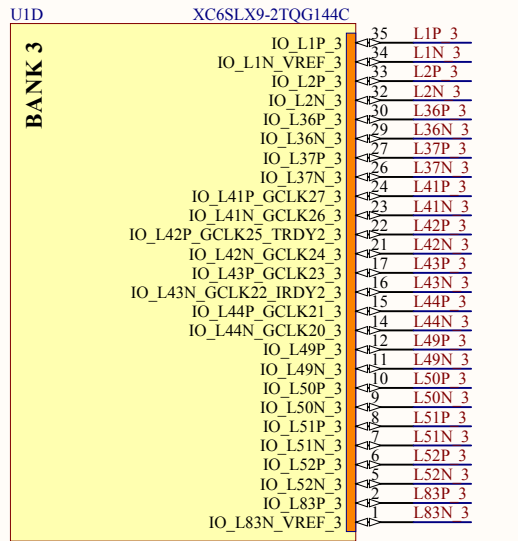
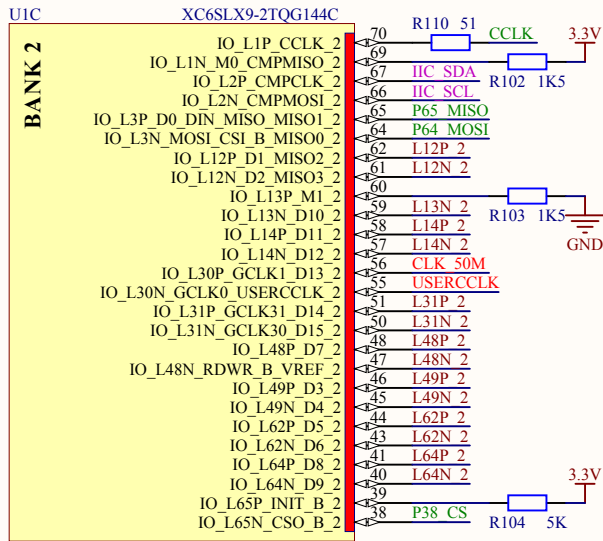
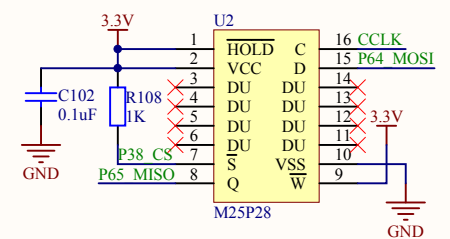
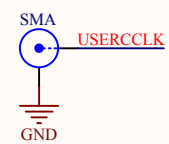
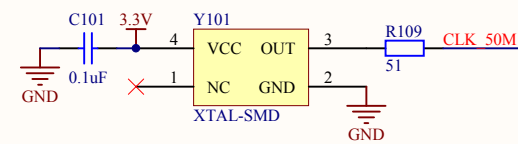
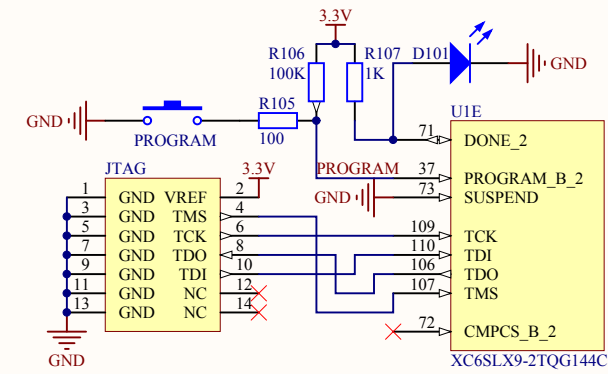
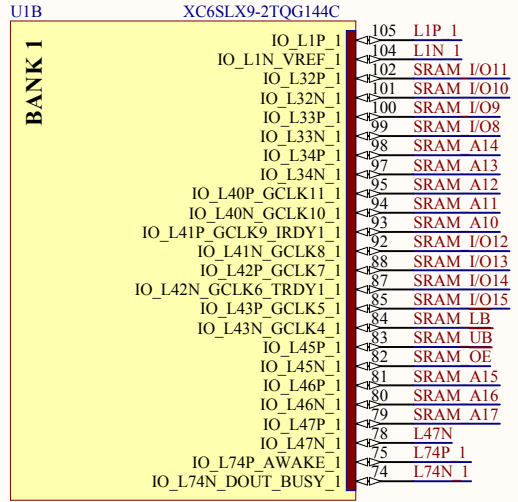
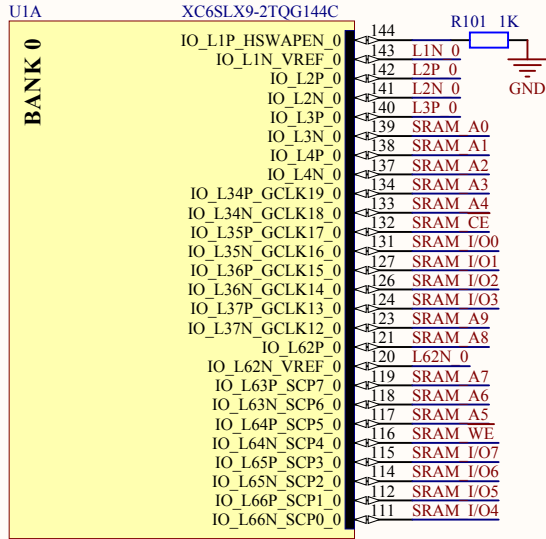
Title		LUMIGUS INSTRUMENTS		XILINX SPARTAN-6 CORE BOARD	
Size	Number	Revision		Revision	
A4		LI-XS6V20		V2.0	
Date:	2013/2/20	PRINT	2013/01/19	CREAT	Sheet of 1/5
File:	E:\0 My Project\.\Block Diagram.SchDoc		Drawn By: lumigus.taobao.com		

1

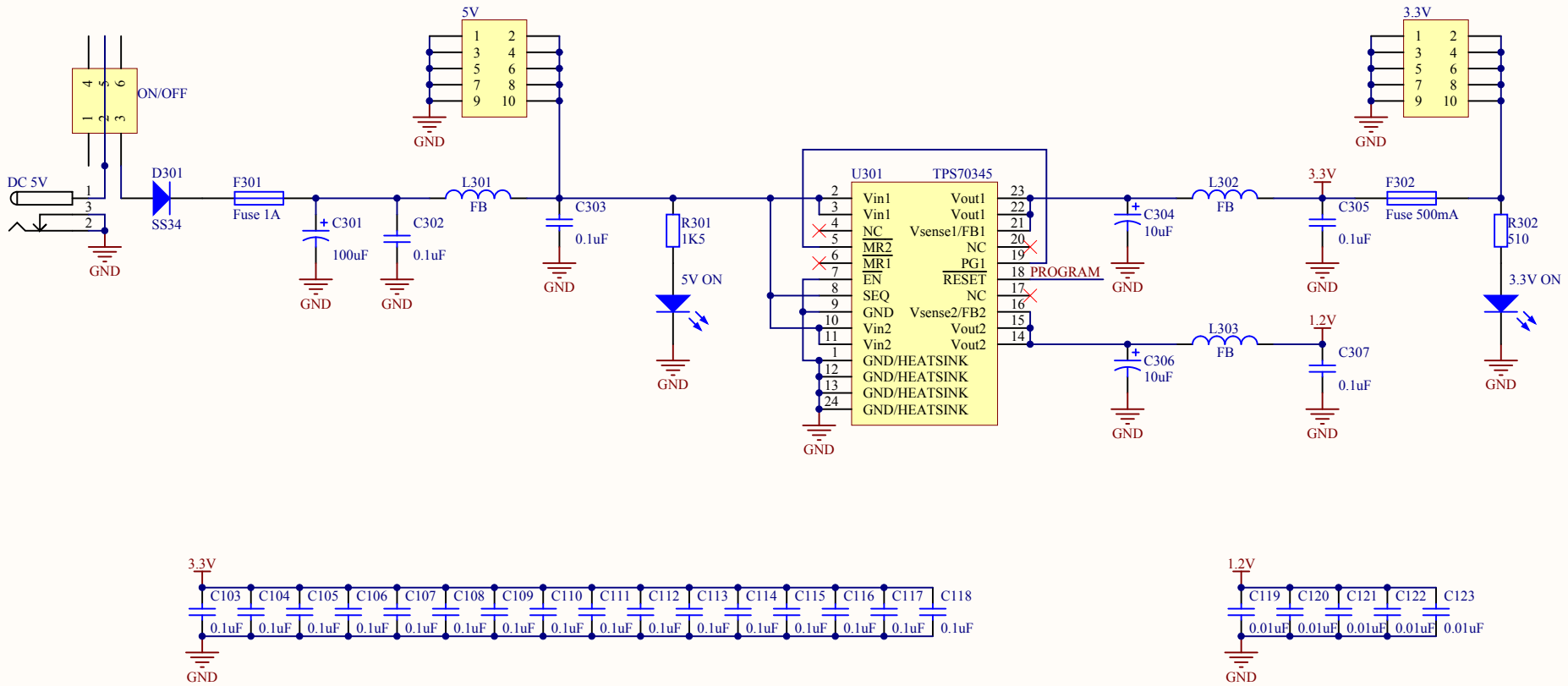
2

3

4

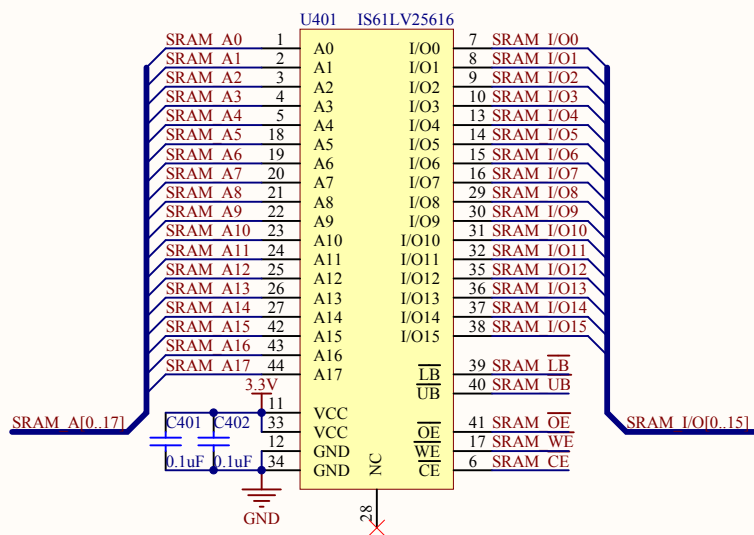


Title		LUMIGUS INSTRUMENTS		XC6SLX9 CORE	
Size	Number	LI-XS6V20		Revision	V2.0
Date:	2013/2/20 PRINT	2013/01/19 CREAT	Sheet of	2/5	
File:	E:\0 My Project\ Spartan 6 Core.SchDoc		Drawn By:	lumigus.taobao.com	

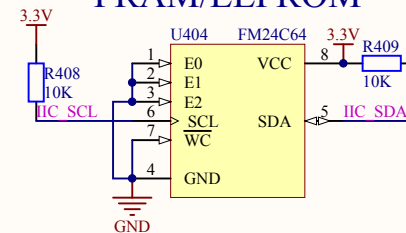


Title		LUMIGUS INSTRUMENTS		POWER	
Size	Number	LI-XS6V20		Revision	V2.0
Date:	2013/2/20	PRINT	2013/01/19	CREAT	Sheet of 3/5
File:	E:\0 My Project\...\Power.SchDoc			Drawn By:	lumigus.taobao.com

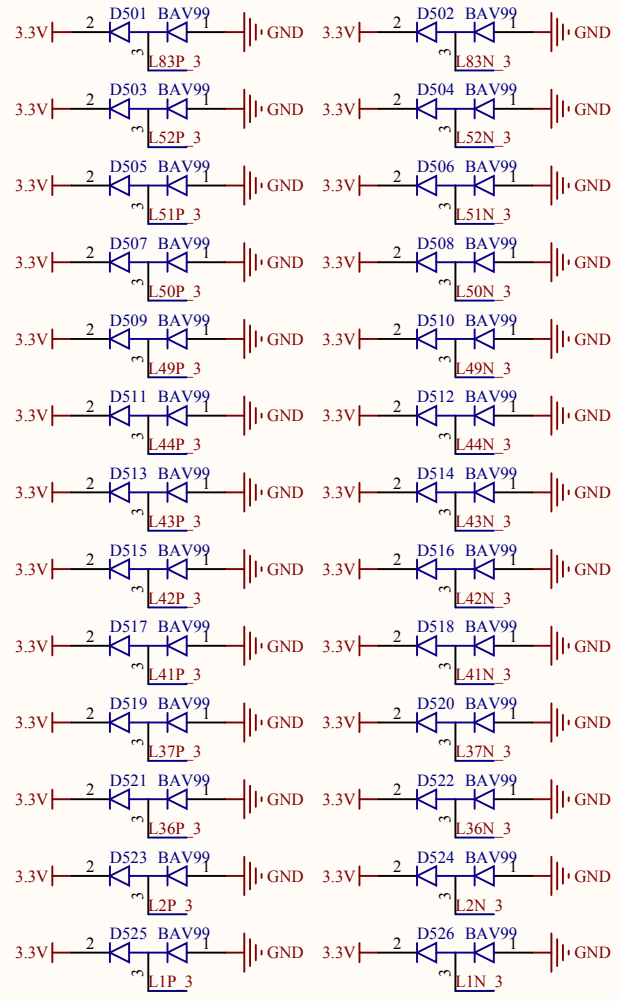
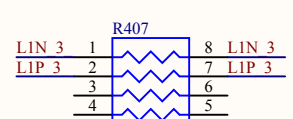
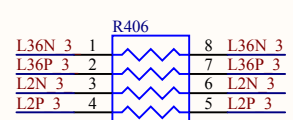
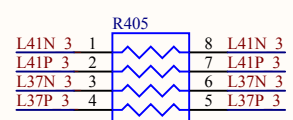
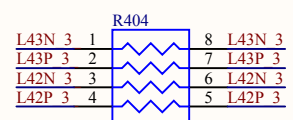
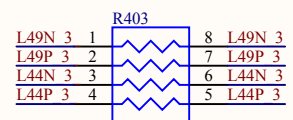
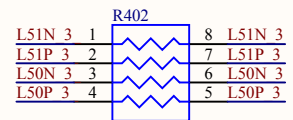
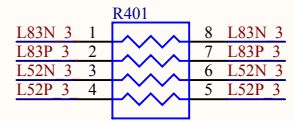
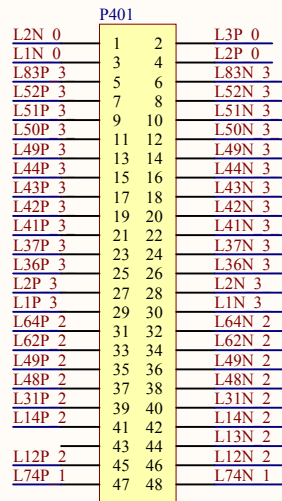
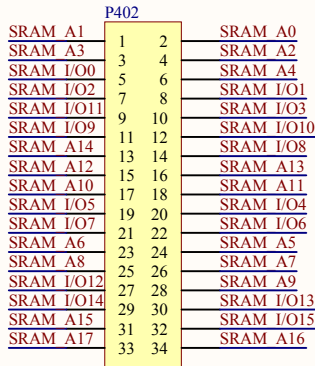
SRAM



FRAM/EEPROM



Title		LUMIGUS INSTRUMENTS		RAM	
Size	Number	LI-XS6V20		Revision	V2.0
Date:	2013/2/20 PRINT	2013/01/19 CREAT	Sheet of	4/5	
File:	E:\0 My Project\SRAM EEPROM.Sch		Drawn By:	lumigus.taobao.com	



Title		LUMIGUS INSTRUMENTS		Interface	
Size	Number	LI-XS6V20		Revision	V2.0
Date:	2013/2/20 PRINT	2013/01/19 CREAT	Sheet of	5/5	
File:	E:\0 My Project\...Interface.SchDoc			Drawn By:	lumigus.taobao.com